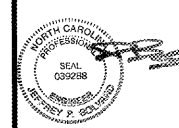


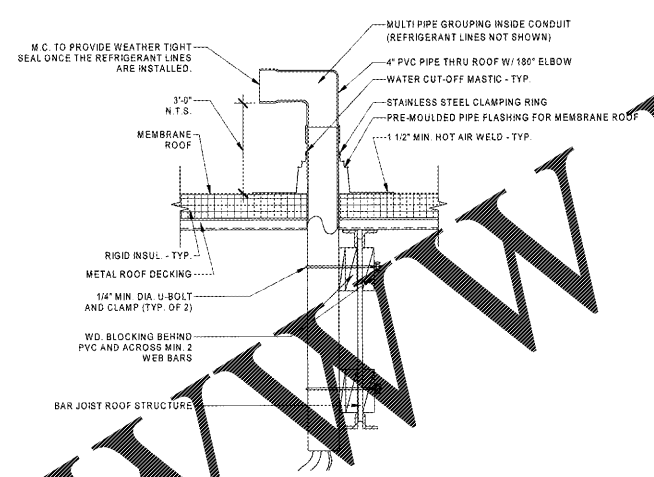


submission:	Date
OWNER/LL REVIEW	11/01/2018
BID SET	11/01/2018
PERMIT SET	11/01/2018

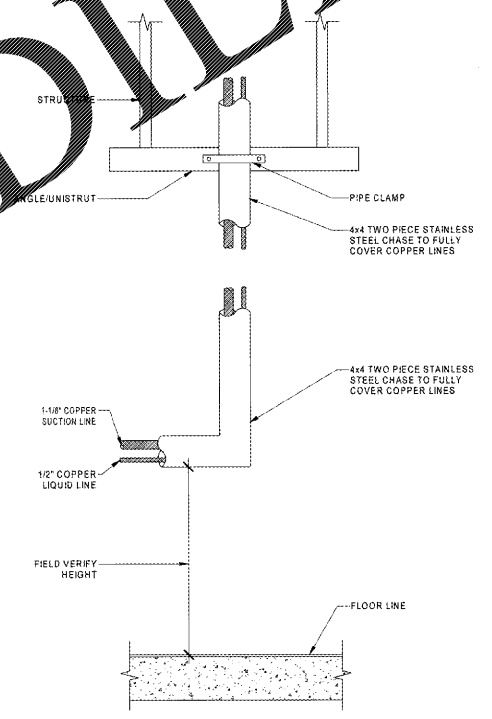
#	Description	Date



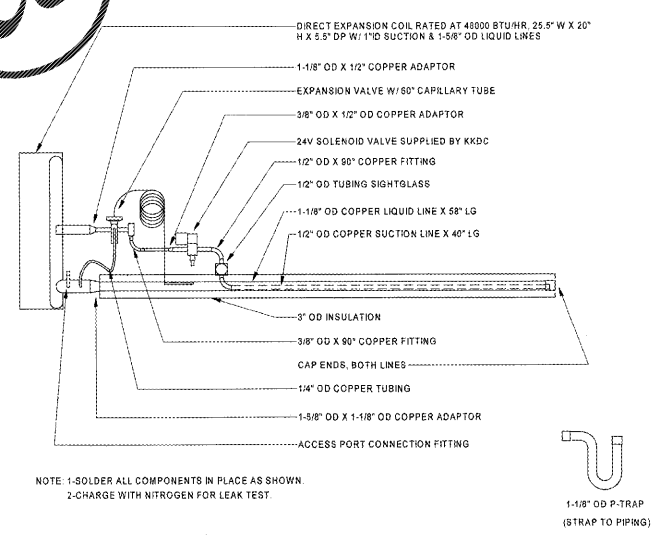
NOV 2 2018



4 refrigerant conduit penetration detail
SCALE | N.T.S.

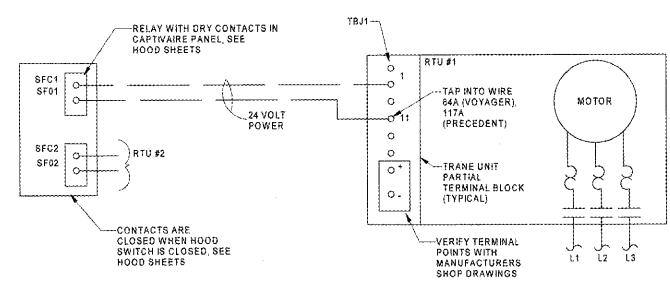


3 refrigerant pipe detail
SCALE | N.T.S.



NOTE: 1-SOLDER ALL COMPONENTS IN PLACE AS SHOWN.
2-CHARGE WITH NITROGEN FOR LEAK TEST.

2 cooling tunnel refrigerant piping detail
SCALE | N.T.S.



NOTES:

- M.C. SHALL WIRE SENSOR TO RTU TERMINAL BLOCK #1 IN ACCORDANCE WITH MANUFACTURER'S RECOMMENDATIONS.
- DASHED LINE INDICATES WIRING PROVIDED/INSTALLED BY M.C. SOLID LINE WIRING IS PROVIDED BY E.C.
- TRANE RESERVES THE RIGHT TO CHANGE THE REQUIRED TERMINATION POINTS AND SETTINGS AS DESCRIBED ABOVE. CONTACT TRANE FOR LATEST REQUIREMENTS PRIOR TO STARTING ANY WORK.

1 trane interlock wiring detail
SCALE | N.T.S.

Order Plans @

WWW.LDILine.com