

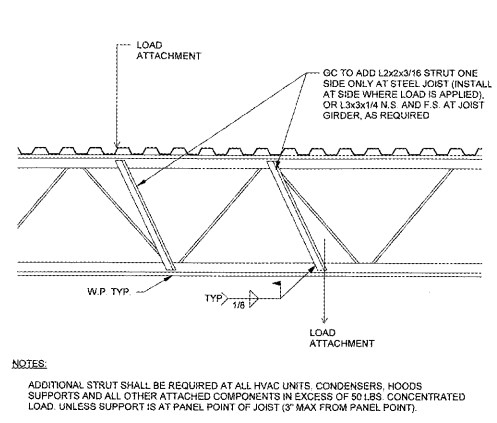
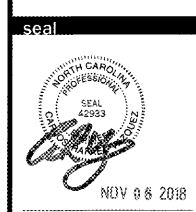


issue dates

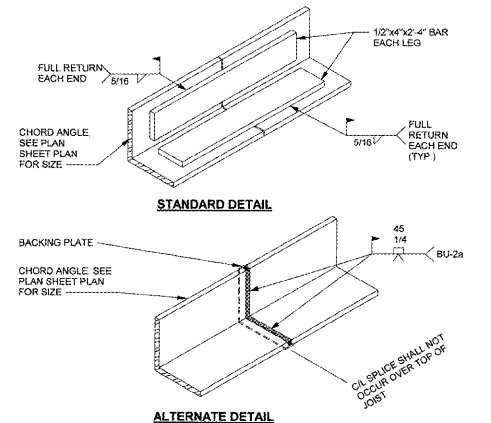
submission:	Date
OWNER/ALL REVIEW	11/01/2018
BID SET	11/01/2018
PERMIT SET	11/01/2018

revisions:

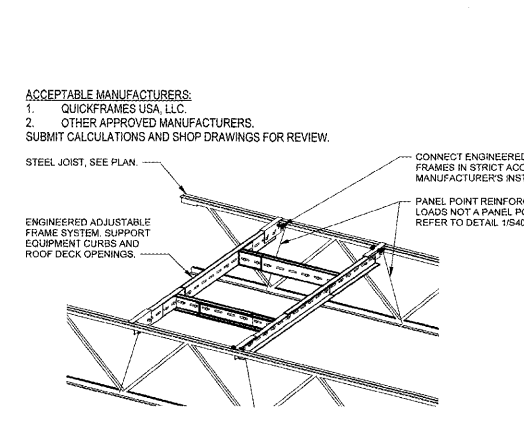
#	Description	Date



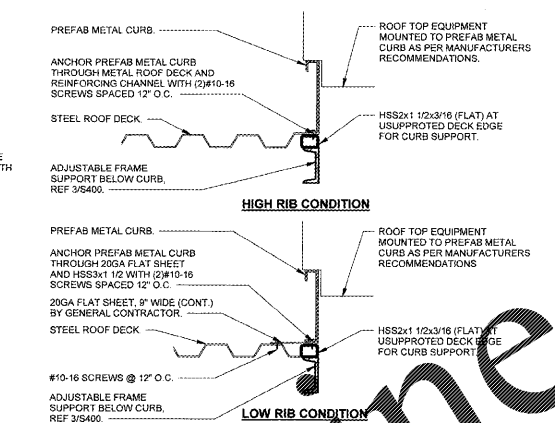
01 joist panel point reinforcing
SCALE | 3/4" = 1'-0"



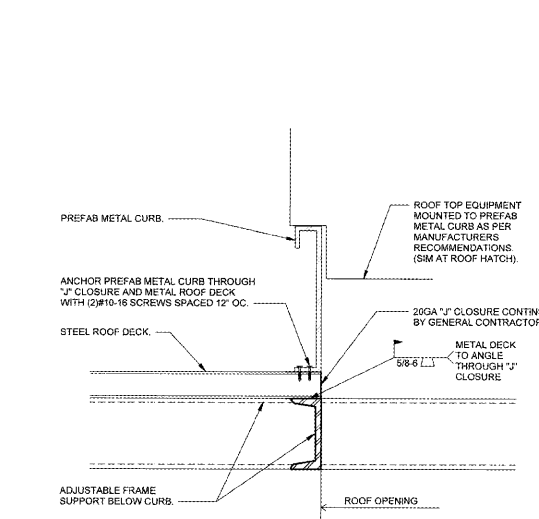
02 chord edge angle splice
SCALE | 3" = 1'-0"



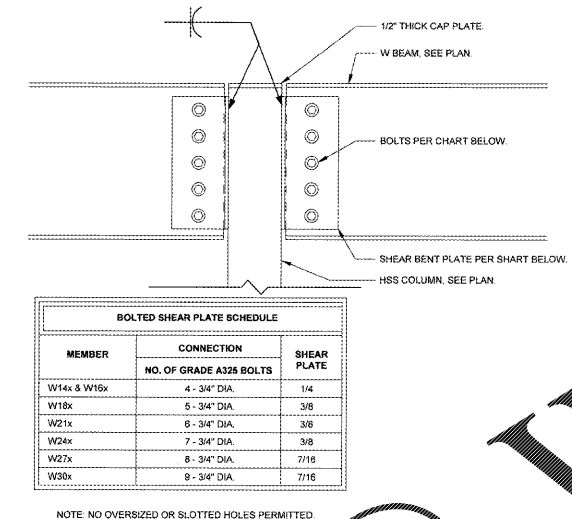
03 adjustable frame support
SCALE | 1/2" = 1'-0"



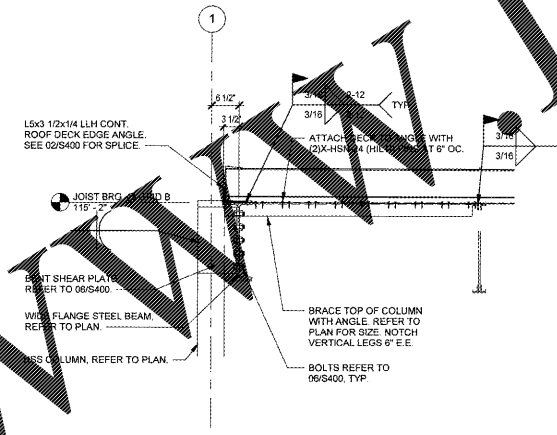
04 equipment curb at framed opening
SCALE | 1 1/2" = 1'-0"



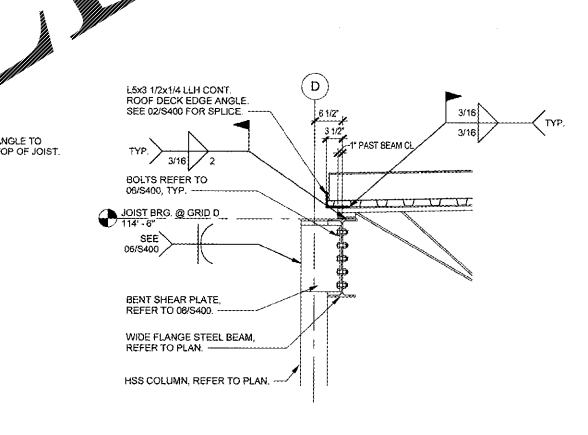
05 equipment curb at framed opening
SCALE | 3" = 1'-0"



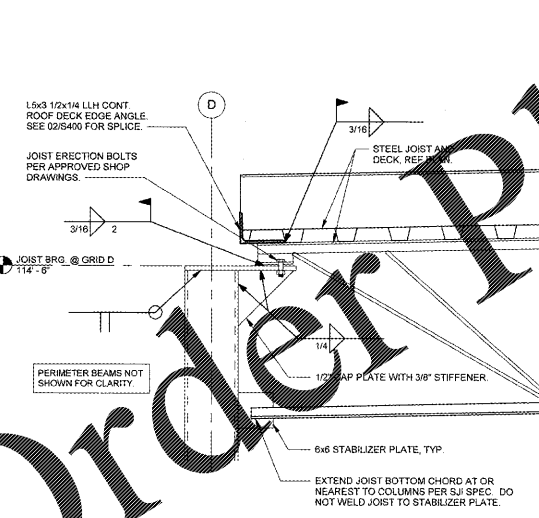
06 bolted shear plate connection
SCALE | 1 1/2" = 1'-0"



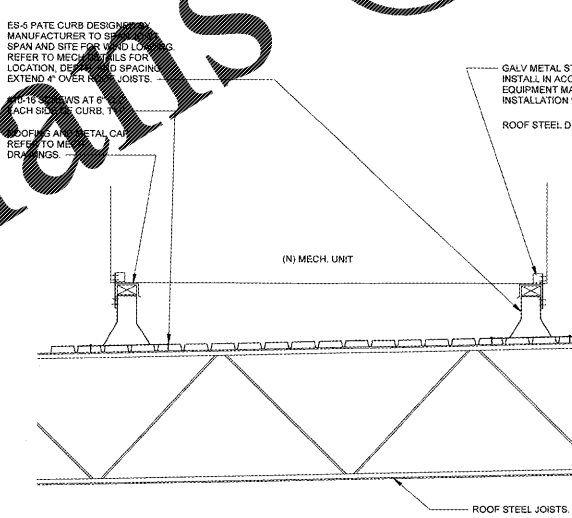
7 column top bracing
SCALE | 3/4" = 1'-0"



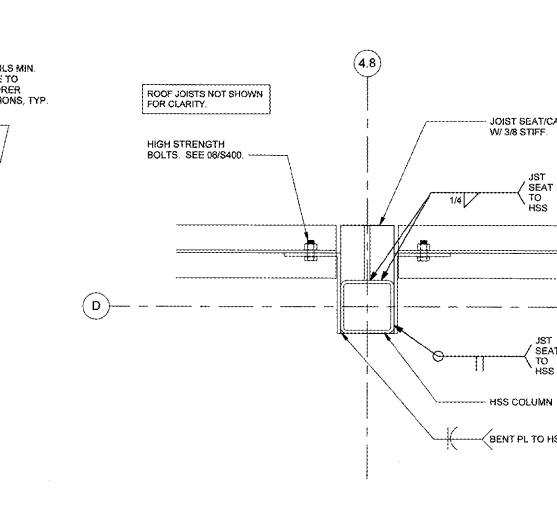
08 eccentric beam connection to column
SCALE | 3/4" = 1'-0"



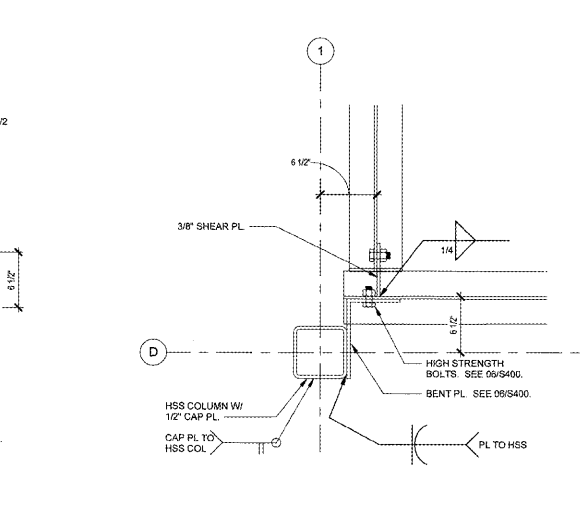
09 joist bearing on column, typ.
SCALE | 1/2" = 1'-0"



10 roof equipment curb
SCALE | 3/4" = 1'-0"



11 typical connection at columns
SCALE | 1 1/2" = 1'-0"



12 typical connection at columns
SCALE | 1 1/2" = 1'-0"

Order Plans @

WWW.WLDLINE.COM