

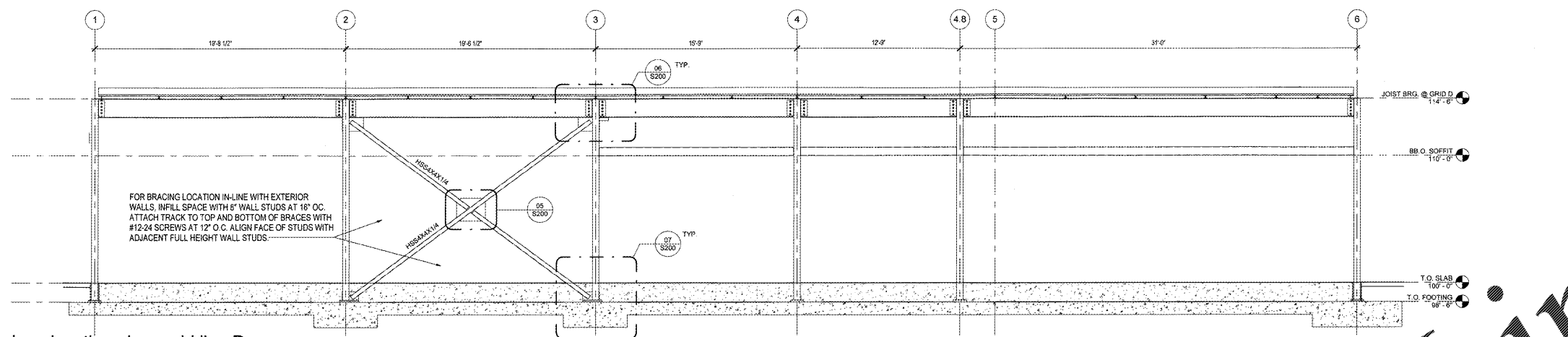


submission:	Date
OWNER/LL REVIEW	11/01/2018
BID SET	11/01/2018
PERMIT SET	11/01/2018

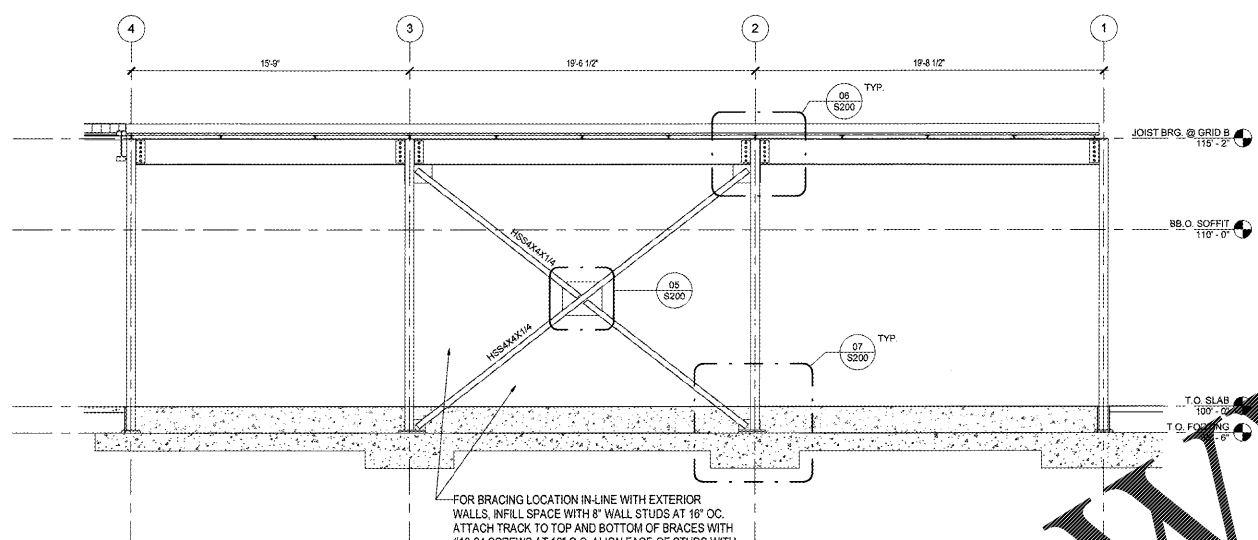
#	Description	Date
---	-------------	------



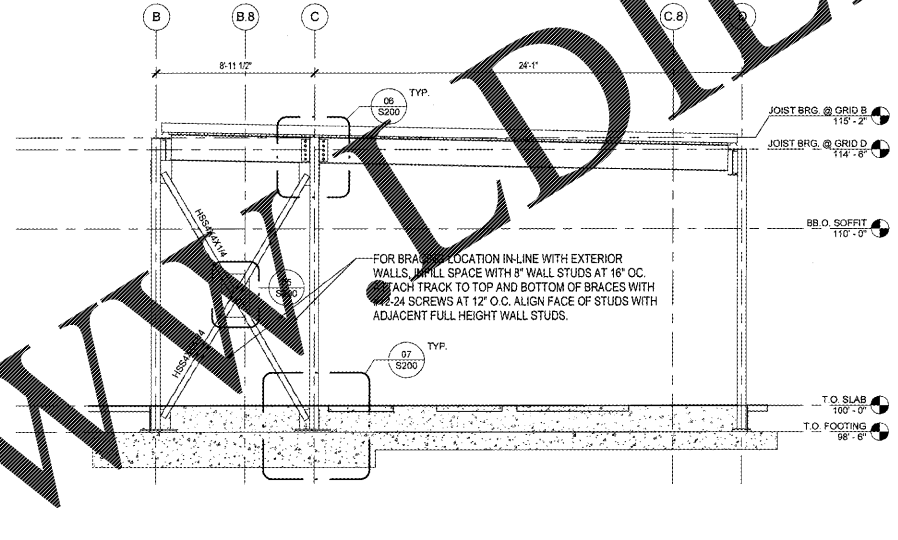
BRACING
ELEVATIONS
S200



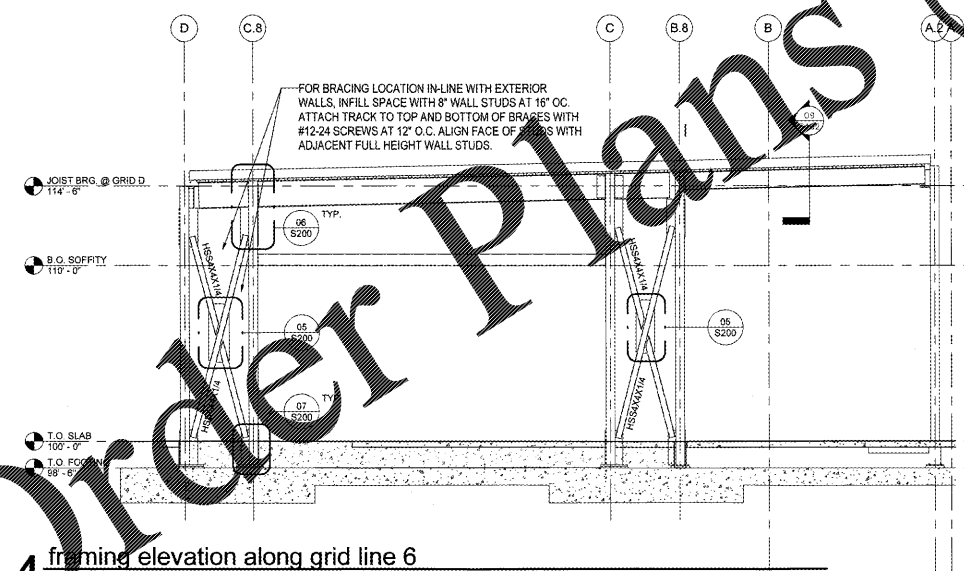
1 framing elevation along grid line D
SCALE | 1/4" = 1'-0"



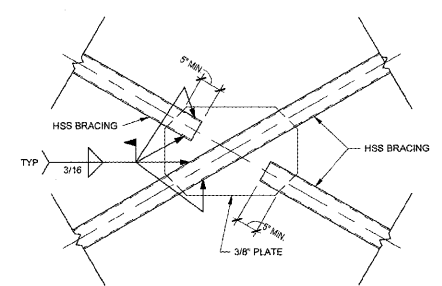
2 framing elevation along grid line B
SCALE | 1/4" = 1'-0"



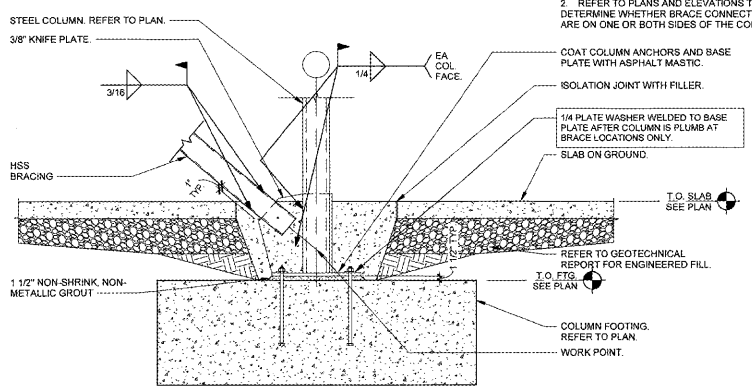
3 framing elevation along grid line 1
SCALE | 1/4" = 1'-0"



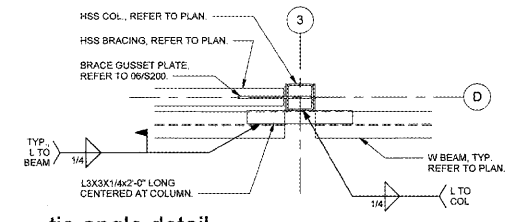
4 framing elevation along grid line 6
SCALE | 1/4" = 1'-0"



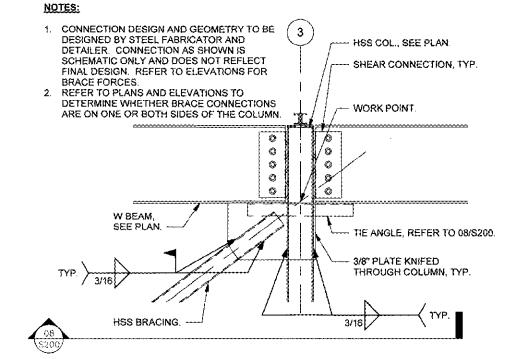
05 brace framing detail
SCALE | 3/4" = 1'-0"



07 brace framing detail
SCALE | 3/4" = 1'-0"



08 tie angle detail
SCALE | 3/4" = 1'-0"



06 brace framing detail
SCALE | 3/4" = 1'-0"

Order Plans @

WWW.DILine.com