



submission:	Date
OWNER/LL REVIEW	11/01/2018
BID SET	11/01/2018
PERMIT SET	11/01/2018

#	Description	Date
---	-------------	------



NOV 02 2018

DOOR &
HARDWARE
SCHEDULES
A602

general notes

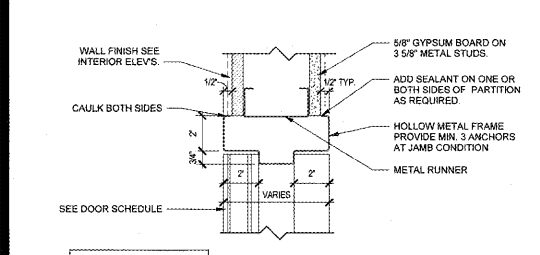
- HANDLES, PULLS, LATCHES, LOCKS AND OTHER OPERATING DEVICES ON ACCESSIBLE DOORS SHALL HAVE A SHAPE THAT IS EASY TO GRASP WITH ONE HAND AND DOES NOT REQUIRE TIGHT GRASPING, TIGHT PINCHING OR TWISTING OF THE WRIST TO OPERATE. LEVER OPERATED MECHANISM, PUSH TYPE MECHANISMS AND U SHAPED HANDLES ARE ACCEPTABLE DESIGNS. HARDWARE REQUIRED FOR ACCESSIBLE DOOR PASSAGE SHALL BE MOUNTED BETWEEN 34" AND 44" A.F.F.
 - IF A DOOR HAS A CLOSER, THEN THE SWEEP PERIOD OF THE CLOSER BE ADJUSTED SO THAT FROM AN OPEN POSITION OF 90 DEGREE THE DOOR WILL TAKE AT LEAST 8 SECONDS TO MOVE TO A POINT 12" FROM THE LATCH, MEASURED TO THE LEADING EDGE OF THE DOOR. ALL CLOSERS TO HAVE BACKCHECK. THE MANUAL FORCE REQUIRED TO OPERATE DOOR SHALL NOT EXCEED FIVE LBS. ALL CLOSERS ON RATED DOORS TO BE HYDRAULIC.
 - THE MAXIMUM FORCE FOR PUSHING AND PULLING OPEN A DOOR SHALL BE AS FOLLOWS:
 - FIRE DOORS SHALL HAVE THE MINIMUM OPENING FORCE ALLOWABLE BY THE APPROPRIATE ADMINISTRATIVE AUTHORITY, NOT TO EXCEED 15 LBS.
 - OTHER DOORS:
 - EXTERIOR HINGED DOOR 5 LBS MAX.
 - INTERIOR HINGED DOOR 5 LBS MAX.
 - SLIDING OR FOLDING DOOR 5 LBS MAX.
- THESE FORCES DO NOT APPLY TO THE FORCE REQUIRED TO RETRACT LATCH BOLTS OR DISENGAGE OTHER DEVICES THAT MAY HOLD THE DOOR IN A CLOSED POSITION.
- TO INSTALL TEMPERED GLASS IN DOORS AS REQUIRED.
 - TEMPERED GLASS REQUIRED IF GLAZING IS LESS THAN 18" A.F.F. OR ADJACENT TO DOORS.
 - G.C. TO VERIFY THRESHOLD CONDITIONS IN FIELD. ALL THRESHOLDS TO BE NO MORE THAN 1/8" WITH A MAX. NO GREATER THAN 1:2.
 - ALL DOOR OPENING TO THE OUTSIDE TO BE SELF-CLOSING AND RODENT PROOF.
 - ALL HOLLOW METAL DOORS & FRAMES TO RECEIVE PAINT. COLOR TBD. DOOR CONTRACTOR TO VERIFY DOOR & FRAME SIZE IN THE FIELD.
 - PROVIDE WALL OR FLOOR STOPS WHERE APPROPRIATE.
 - ALL FIRE DOORS SHALL COMPLY W/ NFPA 80 AND ALL OTHER APPLICABLE CODES.
 - ALL EXTERIOR DOORS TO RECEIVE WEATHERSTRIPPING.
 - ALL SIGNAGE TO MEET ACCESSIBILITY REQUIREMENTS.
 - PROVIDE PADLOCKS AND SECURITY GATES FOR TRASH ENCLOSURE AND ROOF ACCESS LADDERS.
 - PROVIDE TACTILE WARNINGS ON ALL DOORS THAT LEAD TO AREAS THAT MIGHT PROVE DANGEROUS TO A PERSON WHO IS VISUALLY IMPAIRED. DOOR SHALL BE MADE IDENTIFIABLE TO THE TOUCH WITH A TEXTURED SURFACE ON THE HANDLE OR OTHER OPERATING HARDWARE.

door hardware notes

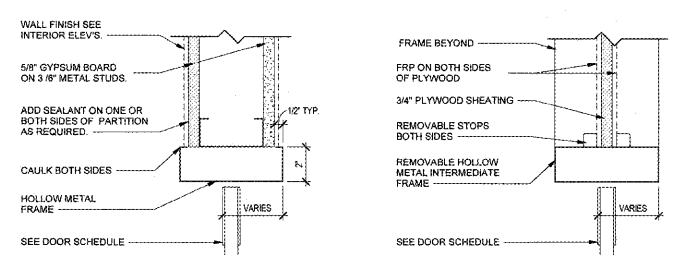
- HARDWARE SETS ARE DESCRIBED FOR SINGLE DOORS. U.N.O. WHERE A PAIR OF DOORS IS LISTED IN THE DOOR SCHEDULE, DOUBLE THE QUANTITY OF EACH ITEM LISTED IN THE HARDWARE SCHEDULE, UNLESS NOTED OTHERWISE.
- NO EXPOSED FASTENERS ALLOWED AT FRONT OF HOUSE CLOSERS AND EXIT HARDWARE. PROVIDE INTERNAL BLOCKING IN DOOR FOR CONCEALED ATTACHMENT.
- INSTALL DOOR SILENCERS FOR ALL DOOR FRAMES.
- ALL LOCKS TO BE KEYPAD ALIKE, EXCEPT MANAGER'S OFFICE. MANAGER TO HAVE MASTER KEY THAT CAN OPERATE ALL LOCKS. VERIFY QUANTITY OF KEYS W/ OWNER.
- CATALOG CUTS FOR ALL DOOR HARDWARE SHALL BE SUBMITTED FOR CODE REVIEW AND OWNER/ARCHITECT APPROVAL.
- ALL HARDWARE AND ACCESSORIES TO HAVE BRUSHED CHROME FINISH. VERIFY FINAL FINISH W/ OWNER AND ARCHITECT.
- ALL DOOR HARDWARE SHALL BE LEVER OR PUSH/PULL AND COMPLY WITH CURRENT ADA AND 2003 ICC/ANSI 404.2.
- GENERAL CONTRACTOR TO CHANGE OUT CONSTRUCTION CORES OF ALL HARDWARE PRIOR TO TURNOVER OF STORE.

notes

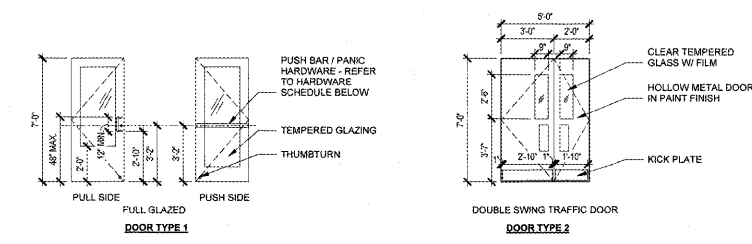
- G.C. TO INSTALL TEMPERED GLASS IN ALL DOORS AS REQUIRED.
- TEMPERED GLASS REQUIRED IF GLAZING IS LESS THAN 18" A.F.F. OR ADJACENT TO DOORS.
- G.C. TO VERIFY ALL THRESHOLD CONDITIONS IN THE FIELD.
- ALL NEW FIRE RATED DOORS ARE UL LABEL 'B'-90 MINS.



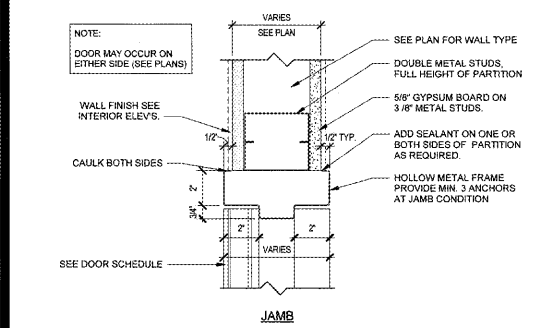
01 typical head & jamb detail
SCALE | 3" = 1'-0"



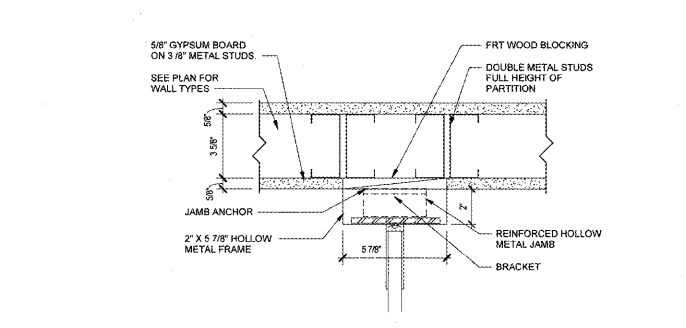
02 head & jamb detail
SCALE | 3" = 1'-0"



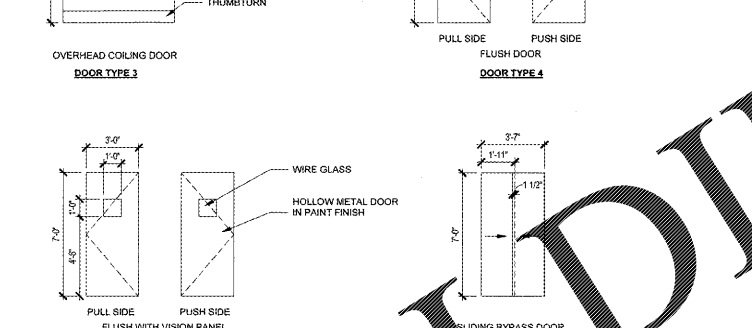
03 door types
SCALE | 1/4" = 1'-0"



01 typical head & jamb detail
SCALE | 3" = 1'-0"



02 head & jamb detail
SCALE | 3" = 1'-0"



03 door types
SCALE | 1/4" = 1'-0"

door schedule

MARK	ROOM NAME	TYPE	DOOR		NOMINAL SIZE			FACING / FINISH	FRAME TYPE	FRAME			RATING (MINIMUM)	FIRE CLASS	HARDWARE SET	REMARKS
			QTY		W	H	JAMB			HEAD	THRESHOLD					
101A	VESTIBULE	1	AL/GLZ	1	3'-0"	8'-0"	-	XX	AL	XX	XX	01/A530	XX	1		
102	DINING	1	AL/GLZ	1	3'-0"	8'-0"	-	XX	AL	XX	XX	01/A530	XX	1		
106	CLOSET	6	HM	1	3'-7"	7'-0"	PT.	FR-2	HM	XX	XX	01/A530	XX	1		
113	PRODUCTION	2	HM	1	5'-0"	7'-0"	PT.	FR-1	HM	02/A602	02/A602	XX	XX	1		
116	MEN'S RESTROOM	4	WD	1	3'-0"	7'-0"	PT.	FR-2	HM	01/A602	02/A530	XX	XX	2		SELF CLOSING & TIGHT FITTING DOOR
117	WOMEN'S RESTROOM	4	WD	1	3'-0"	7'-0"	PT.	FR-2	HM	01/A602	02/A530	XX	XX	2		SELF CLOSING & TIGHT FITTING DOOR
121	ALLERGEN	3	GALV	1	8'-4"	8'-0"	PT.	FR-3	HM	XX	XX	XX	XX	1		DOOR AND FRAME TO RECEIVE 2 DIFFERENT FINISHES
123	STORAGE	5	HM	1	3'-0"	7'-0"	PT.	FR-2	HM	01/A602	01/A602	01/A530	XX	4		DOOR TO RECEIVE VINYL, STAIN, OILS AND FRAME TO RECEIVE 2 DIFFERENT FINISHES
124	MANAGER'S OFFICE	6	HM	1	3'-0"	7'-0"	PT.	FR-2	HM	01/A602	01/A602	XX	XX	3		

door legend

ABBREVIATIONS:

MTL - METAL	TO - TEMPERED	PT - PAINTED	SC - SOLID CORE DOOR
WD - WOOD	GLZ - GLAZING ST - SATIN	AL - ALUMINIUM	HM - HOLLOW METAL DOOR/FRAME
SS - STAINLESS STEEL	EX - EXISTING	CLC - CLEAR COAT, MATTE FINISH	GAVL - GALVANIZED
CL - COPPER CLAD			

door hardware schedule

SET NO.	LOCATION	DOOR LEAF	GLZ	DOOR NUMBER	HINGES	LOCK SET	PANIC DEVICE	PUSH PLATES	KICK PLATES	TYPE OF HARDWARE	SILENCER	SOUND SEAL (QLON)	WEATHER STRIP	DOOR STOP	WALL STOP	THRESHOLD	VIEWPORT	REMARKS
1	STOREFRONT ENTRY	FINISH TO MATCH STOREFRONT		NORTON 1601 BF FINISH ALUMINIUM	X	SCHLAGE ND40S SPARTA FINISH: 626 PRIVACY FUNCTION LOCKSET	X	DOOR MFR. FINISH ALUMINIUM	X	ROCKWOOD 080 X 10 X 36 FINISH: 32D	X	X	X	X	X	NATIONAL GAURO 896-36" FINISH: ALUMINIUM	X	PULL DOOR MFR.
2	RESTROOMS	MATERIAL WOOD PRODUCT WITH OAK OR STAINED TO MATCH PL FINISH: SA		NORTON 1601 BF FINISH: ALUMINIUM		SCHLAGE ND40S SPARTA FINISH: 626 OFFICE FUNCTION LOCKSET	X	X		ROCKWOOD 080 X 10 X 36 FINISH: 32D	X	X	X	X	X	X	X	X
3	MANAGER'S OFFICE	HOLLOW METAL PA FINISH	X	NORTON 1601 BF FINISH: ALUMINIUM		SCHLAGE ND40S SPARTA FINISH: 626 OFFICE FUNCTION LOCKSET	X	X		ROCKWOOD 080 X 10 X 36 FINISH: 32D	X	X	X	X	X	X	X	X
4	EXIT	HOLLOW METAL WITH PAINT FINISH TO MATCH ADJACENT ROOM FINISH	X	NORTON UNI 1505BC-H FINISH ALUMINIUM		SCHLAGE ND40S SPARTA FINISH: 626 OFFICE FUNCTION LOCKSET	X	X		ROCKWOOD 080 X 10 X 36 FINISH: 32D	X	X	NATIONAL GAURO 152-447X84" FINISH: ALUMINIUM	X	X	NATIONAL GAURO 896-36" FINISH: ALUMINIUM	SECURITY PRODUCTS 168 DOORSCOPE FINISH: ALUMINIUM	DOOR SWEEP: NATIONAL GAURO 87V-36" FINISH ALUMINIUM LEVER: VON DUPRIN 98L-NL FINISH: ALUMINIUM

Order Plans @