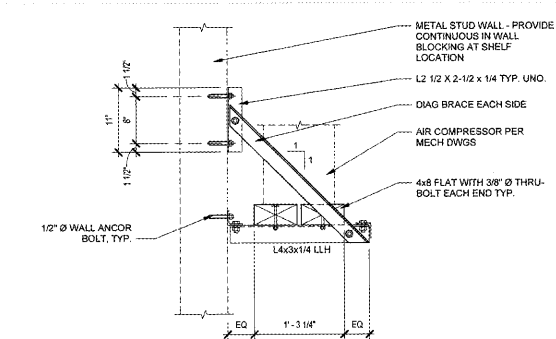


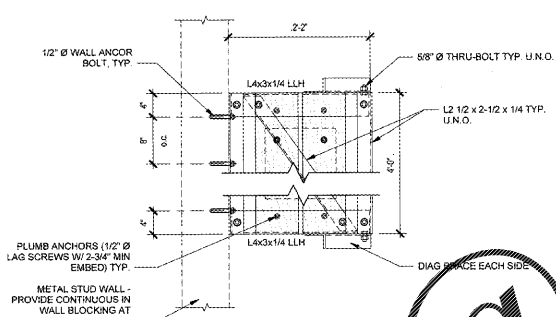


submission:	Date
OWNER/LL REVIEW	11/01/2018
BID SET	11/01/2018
PERMIT SET	11/01/2018

#	Description	Date
---	-------------	------

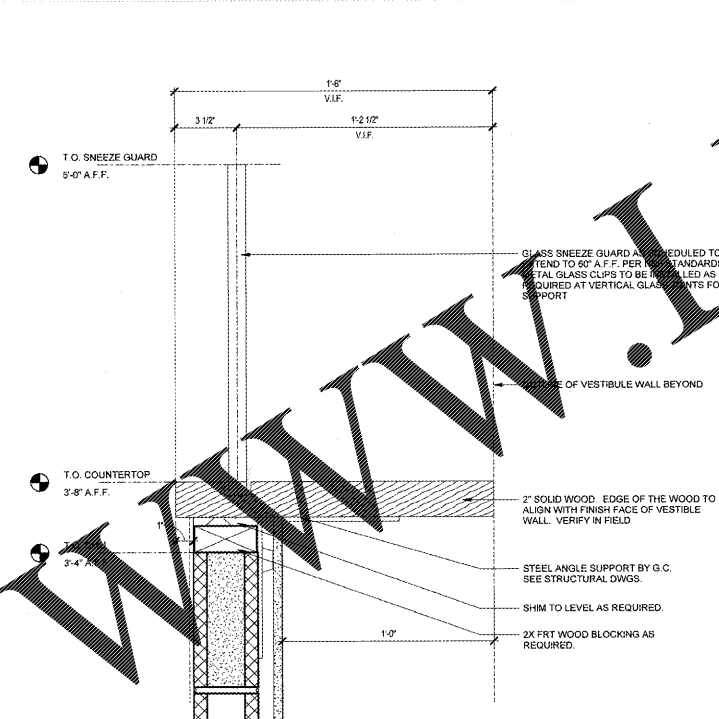


ELEVATION

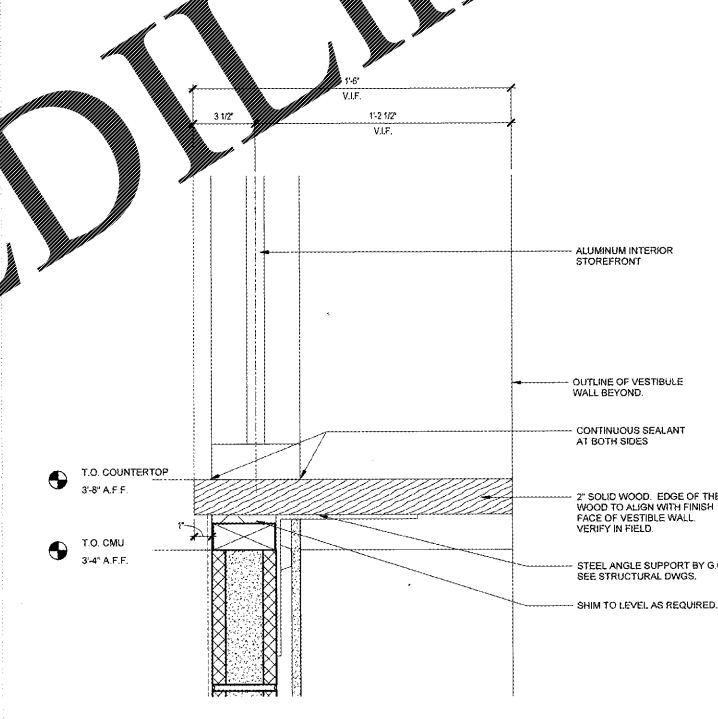


PLAN

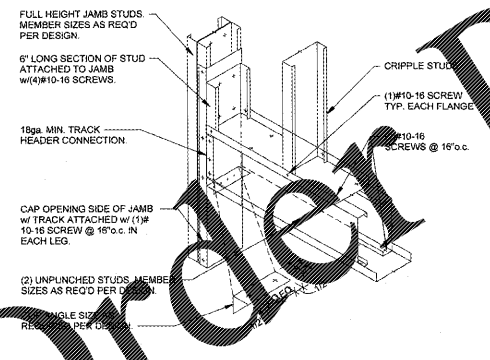
07 air compressor shelf
SCALE | 1" = 1'-0"



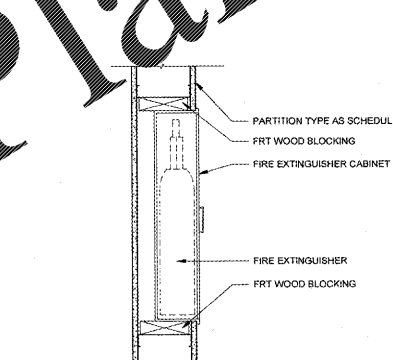
06 production sneeze guard
SCALE | 3" = 1'-0"



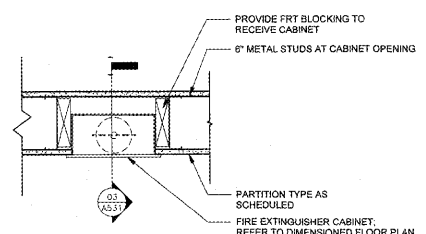
05 fryer window
SCALE | 3" = 1'-0"



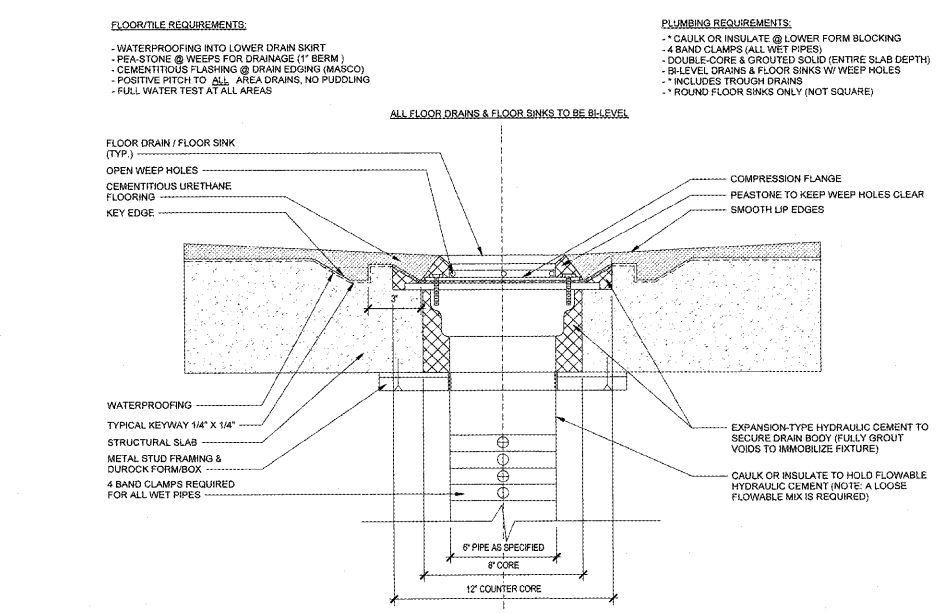
04 boxed header
SCALE | 3/4" = 1'-0"



03 section @ fec
SCALE | 1 1/2" = 1'-0"



02 plan @ fec
SCALE | 1 1/2" = 1'-0"



01 floor drain / floor sink
SCALE | 3" = 1'-0"