

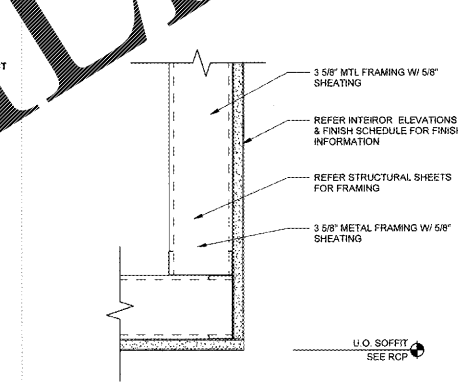


submission:	Date
OWNER/REVIEW	11/01/2018
BID SET	11/01/2018
PERMIT SET	11/01/2018

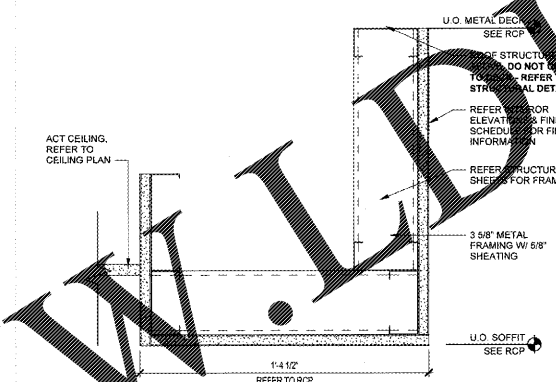
revisions:	Date
# Description	



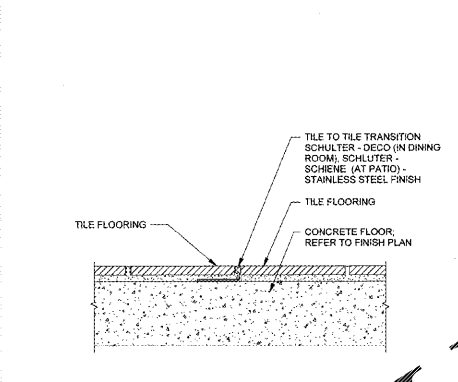
NOV 02 2018



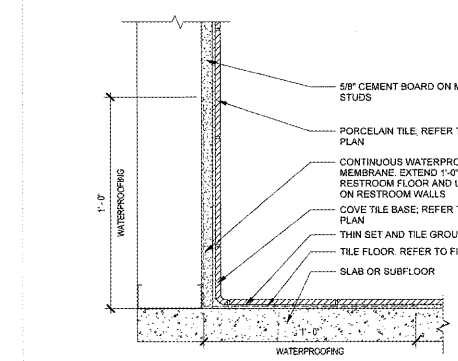
10 soffit  
SCALE | 3" = 1'-0"



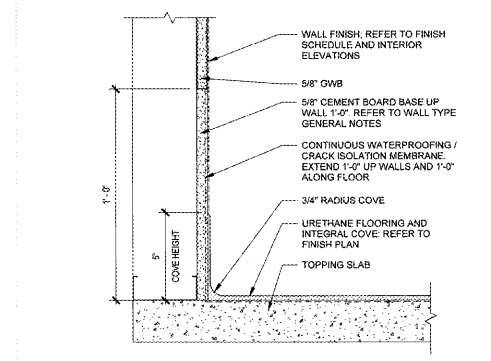
11 soffit/act  
SCALE | 3" = 1'-0"



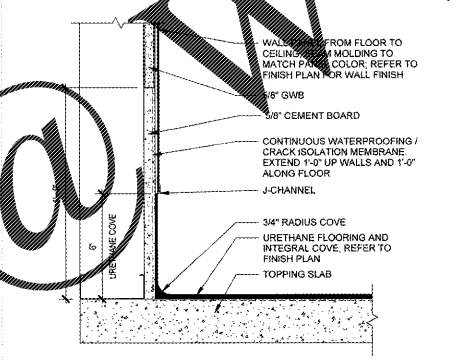
12 transition @ floor tile to floor tile  
SCALE | 3" = 1'-0"



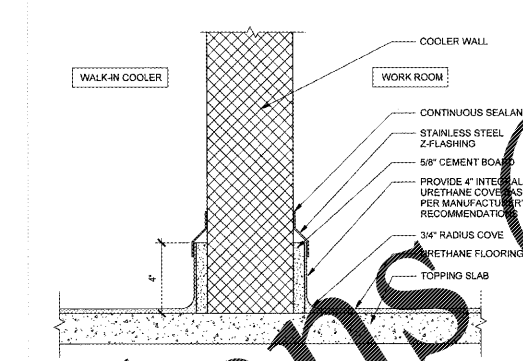
05 tile base @ restrooms  
SCALE | 3" = 1'-0"



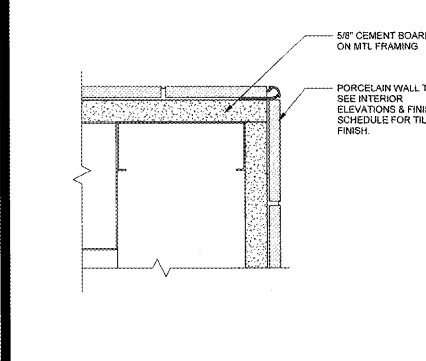
06 detail @ ur-1 base @ office  
SCALE | 3" = 1'-0"



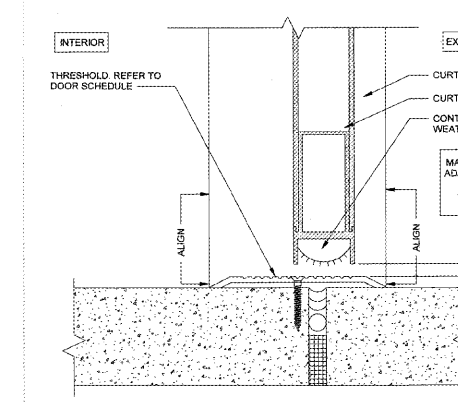
07 detail @ urethane base  
SCALE | 3" = 1'-0"



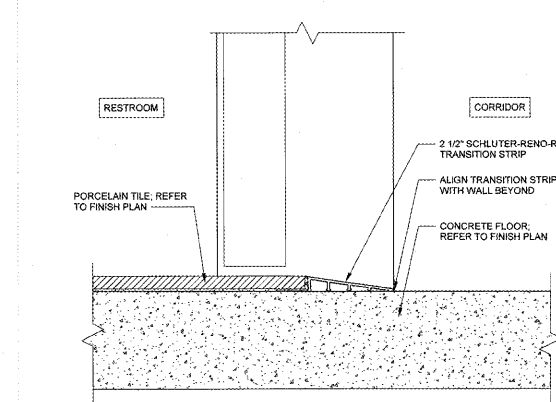
08 urethane base @ walk-in-cooler  
SCALE | 3" = 1'-0"



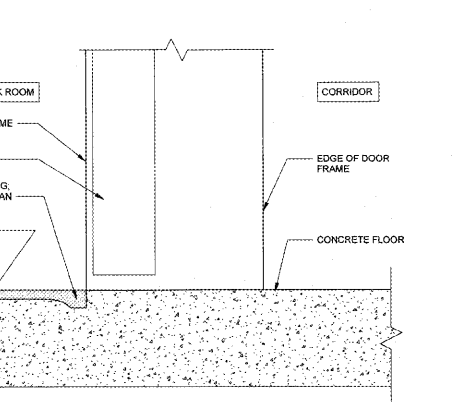
09 tile @ outside corner  
SCALE | 6" = 1'-0"



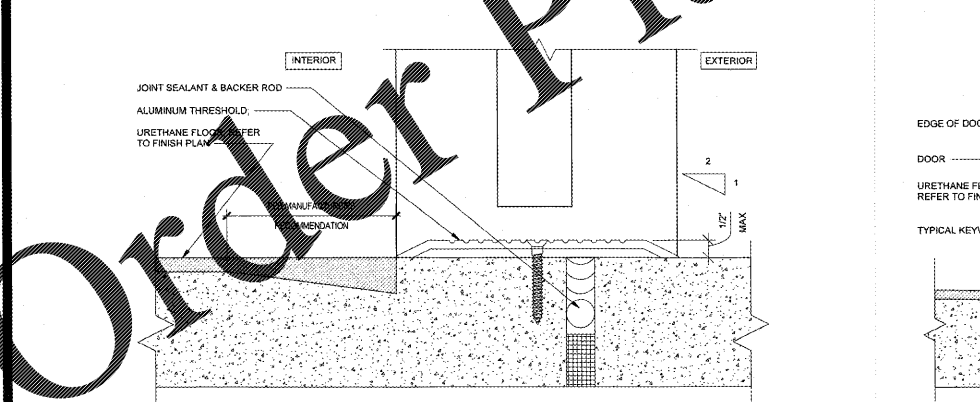
01 transition @ curtain wall door  
SCALE | 6" = 1'-0"



02 transition @ restrooms - concrete to tile  
SCALE | 6" = 1'-0"



03 transition @ concrete to urethane floor coating  
SCALE | 6" = 1'-0"



04 transition @ urethane floor coating to exterior  
SCALE | 6" = 1'-0"