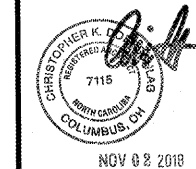




submission:	Date
OWNER'S REVIEW	11/01/2018
BID SET	11/01/2018
PERMIT SET	11/01/2018

revisions:	Date
# Description	



ENLARGED
RESTROOM PLAN
& ELEVATIONS
A402

general notes

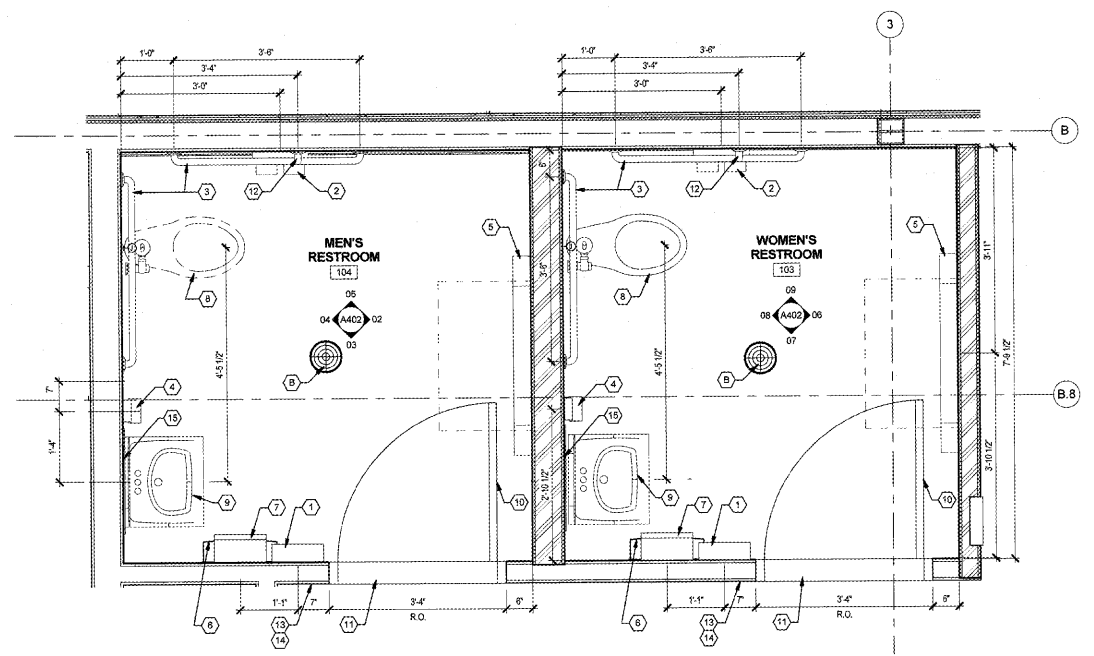
- A. THE DIMENSIONS ON THIS SHEET ARE BASED OFF OF THE FACE GYP BOARD FINISH. ALL DIMENSIONS ARE TO FACE OF GYP BOARD FINISH OR EDGE / CENTERLINE OF STRUCTURE.
- B. GC TO FIELD VERIFY ALL DIMENSIONS PRIOR TO CONSTRUCTION AND/OR INSTALLATION OF ANY EQUIPMENT.
- C. ALL GLASS TO BE TEMPERED IN AREAS REQUIRED BY LOCAL CODES.
- D. INSTALL ALL PRODUCTS PER MANUFACTURER'S SPECIFICATIONS.
- E. P.C. SHALL PROVIDE AND INSTALL ALL PLUMBING FIXTURES (WITH TRIM), SOIL, WASTE, AND VENT PIPING, HOT/COLD WATER PIPING, FIXTURES, INSULATION, AND VALVES, COMPRESSED AIR PIPING, AND ALL OTHER NECESSARY EQUIPMENT TO MAKE SYSTEMS FULLY OPERATIONAL. P.C. SHALL MAKE FINAL CONNECTIONS TO EQUIPMENT REQUIRING PLUMBING SERVICE.
- F. P.C. SHALL TERMINATE ALL INDIRECT WASTE PER STATE PLUMBING CODE REQUIREMENTS (2" AIR GAP MIN. OR TWICE EFFECTIVE DRAIN DIAMETER WHICHEVER IS LARGER).
- G. P.C. SHALL COORDINATE ALL ASSOCIATED REQUIREMENTS WITH LOCAL UTILITIES AND CODE OFFICIALS FOR CONNECTIONS TO CITY SANITARY SEWER, CW SUPPLY, AND STORM DRAINAGE SYSTEMS. P.C. SHALL COORDINATE, OBTAIN, AND PAY FOR ALL PERMITS AND FEES THAT ARE REQUIRED. P.C. SHALL COORDINATE AND CONFORM TO ALL REQUIREMENTS TO PREVENT BACKFLOW OR BACK SIPHONAGE, IN ACCORDANCE WITH LOCAL CODES.
- H. P.C. SHALL MAINTAIN MINIMUM DISTANCE REQUIRED BETWEEN WATER SUPPLY AND DRAIN PIPING AS REQUIRED BY CODE.
- I. P.C. SHALL TEST DRAIN, VENT, GAS AND WATER SUPPLY PIPING IN ACCORDANCE WITH ALL APPLICABLE CODE REQUIREMENTS.

keynotes

- A. ALL FIXTURES AND ACCESSORIES, INCLUDING MOUNTING LOCATIONS AND HEIGHTS TO BE COORDINATED WITH OWNER'S SPECIFICATIONS AND REVIEWED BY ARCHITECT PRIOR TO ORDERING. SEE DESIGN MANUAL FOR TYPICAL SPECIFICATIONS.
- B. FLOOR DRAIN. REFER TO PLUMBING DRAWINGS.

TOILET ACCESSORIES & TACTILE SIGNAGE SCHEDULE (NO SUBSTITUTIONS)								
KEY	ACCESSORY TYPE	MANUFACTURER	MATERIALS	MODEL	FINISH	MOUNT TYPE	NOTES	QTY
1	ELECTRICAL HAND DRYER	EXCEL				SURFACE		2
2	TOILET PAPER HOLDER	APL	STAINLESS STEEL		SATIN STAINLESS STEEL	SURFACE		2
3	ADA GRAB BARS	LOWES	STAINLESS STEEL		SATIN STAINLESS STEEL	SURFACE		4
4	SOAP DISPENSER	RIVERBEND HOME	STAINLESS STEEL		SATIN STAINLESS STEEL	SURFACE		2
5	BABY CHANGING TABLE		PLASTIC		GREY	RECESSED	ADA COMPLIANT	2
6	WASTE RECEPTACLE		STAINLESS STEEL		SATIN STAINLESS STEEL	RECESSED		2
7	ELEVATION MATIC HAND PAPER TOWEL ROLL DISPENSER		PLASTIC		BLACK	SURFACE	G.C. TO CONTACT VENDOR TO PLACE ORDER	2
8	COMMERCIAL HEAVY-DUTY TOILET SEAT		SOLID POLYPROPYLENE		WHITE	ATTACHED TO TOILET AS SPECIFIED	FLUSH HANDLE TO BE ON OPEN SIDE	2
9	LAVATORY						REFER TO PLUMBING DRAWINGS	2
10	RESTROOM COAT HOOK		BLACK WROUGHT IRON		RUSTIC	SURFACE	COORDINATE W/ OWNER	2
11	ADA COMPLIANT THRESHOLD		MARBLE		DARK GREY	SURFACE	SOLID WHITE (NO VEINING) COORDINATE W/ OWNER	2
12	18" GRAB BAR (VERTICAL)		STAINLESS STEEL		SATIN STAINLESS STEEL	SURFACE		2
13	RESTROOM IDENTIFICATION TACTILE SIGNAGE		* MODIFIED ACRYLIC PANEL	ADA/ CLEAR BRILLE (COORDINATE W/ OWNER)	CHARCOAL GREY BACKGROUND/ WHITE LETTERING	SURFACE	REFER TO 11A402 FOR MOUNTING HEIGHTS. G.C. TO INSTALL PER ADA ACCESSIBILITY CODES.	2
14	BABY CHANGING STATION TACTILE SIGNAGE		* MODIFIED ACRYLIC PANEL	ADA/ CLEAR BRILLE (COORDINATE W/ OWNER)	BACKGROUND/ WHITE LETTERING	SURFACE	REFER TO FLOOR PLANS & MIRROR ELEVATIONS FOR LOCATIONS & MOUNTING HEIGHTS. G.C. TO INSTALL PER ADA ACCESSIBILITY CODES.	2
15	ADA TILT MIRROR		STAINLESS STEEL FRAME			SURFACE		2

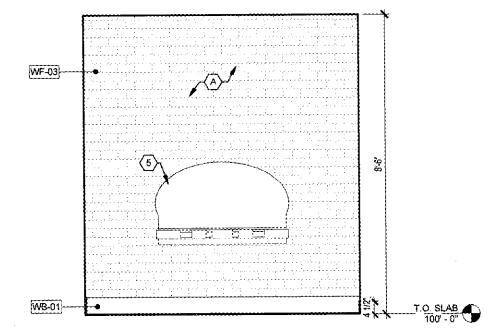
- NOTE:
- ALL TOILET ACCESSORIES PROVIDED AND INSTALLED BY G.C. U.N.O.
 - ALL TACTILE SIGNAGE ACCESSORIES PROVIDED & INSTALLED BY G.C. U.N.O.



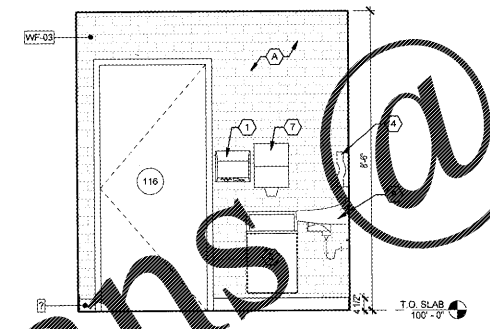
NOTE:

- SEE SHEET A002 - ACCESSIBILITY DETAILS FOR ACCESSIBILITY MINIMUM CLEARANCE & FIXTURE & ACCESSORIES MOUNTING HEIGHTS.
- THE RESTROOM DOORS ARE EQUIPPED WITH SELF-CLOSING DEVICES.

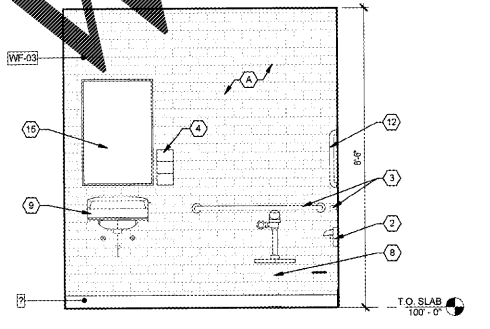
01 enlarged restroom plan
SCALE | 3/4" = 1'-0"



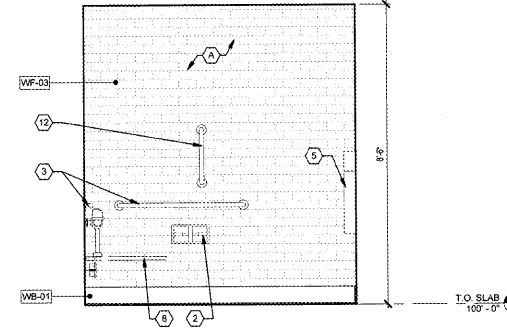
02 unisex restroom - 01
SCALE | 1/2" = 1'-0"



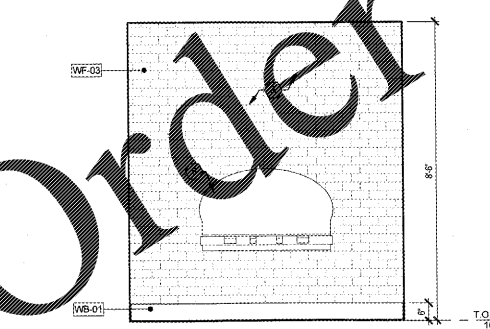
03 unisex restroom - 01
SCALE | 1/2" = 1'-0"



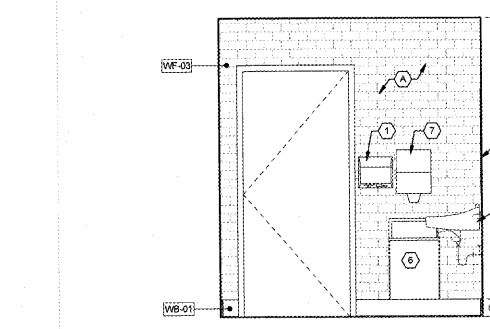
04 unisex restroom - 01
SCALE | 1/2" = 1'-0"



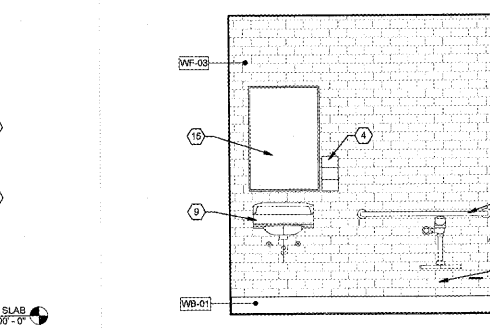
05 unisex restroom - 01
SCALE | 1/2" = 1'-0"



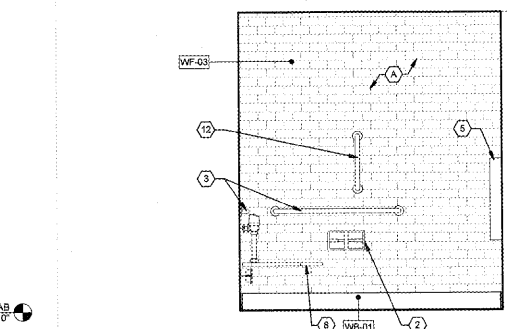
06 unisex restroom - 02
SCALE | 1/2" = 1'-0"



07 unisex restroom - 02
SCALE | 1/2" = 1'-0"



08 unisex restroom - 02
SCALE | 1/2" = 1'-0"



09 unisex restroom - 02
SCALE | 1/2" = 1'-0"

Order Plans @

WWW.LDILLING.COM