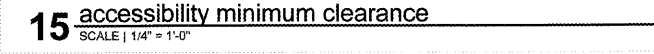
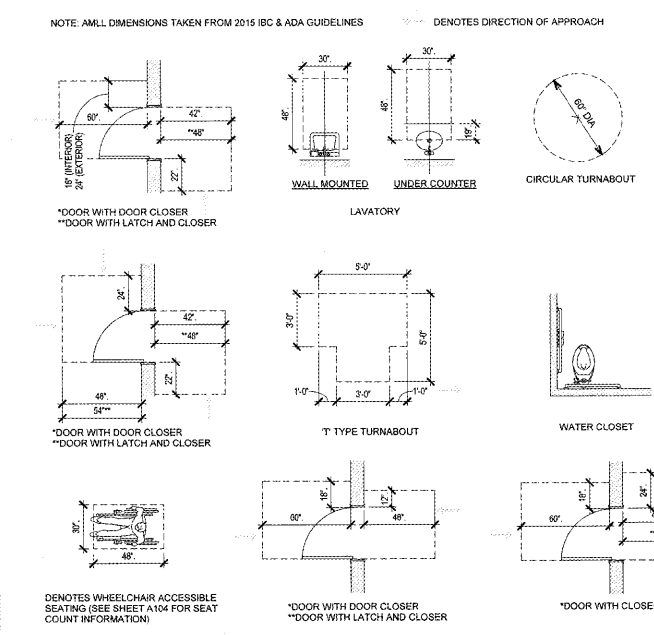
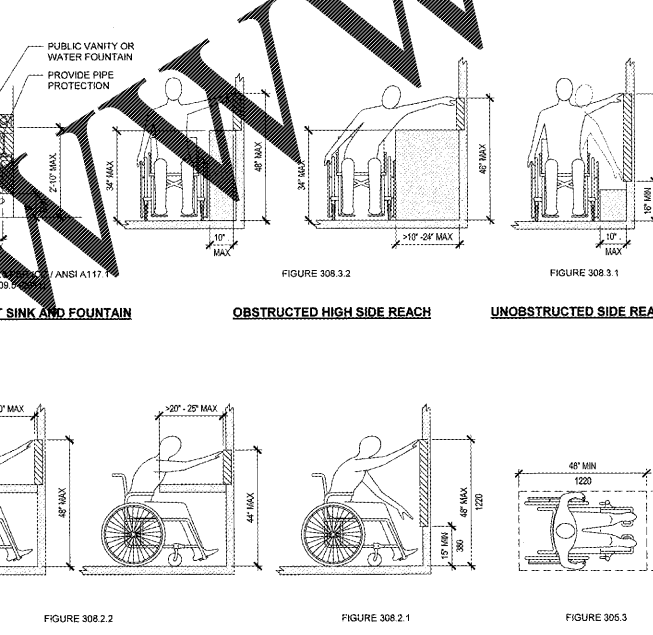
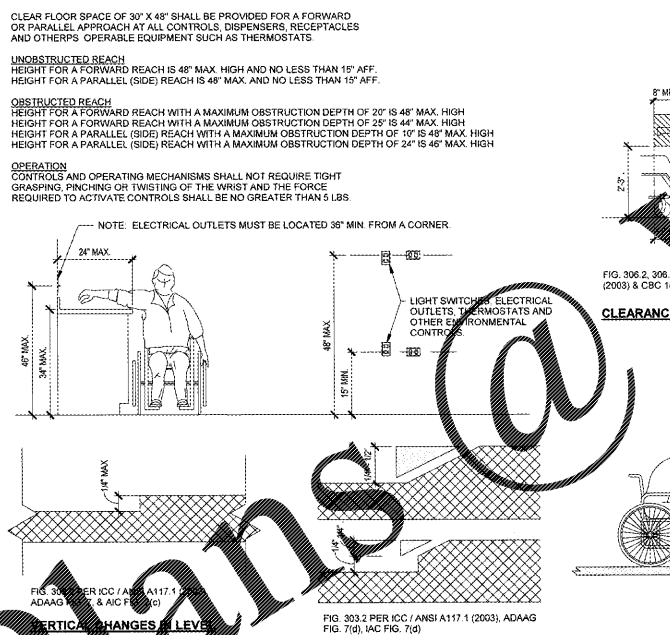
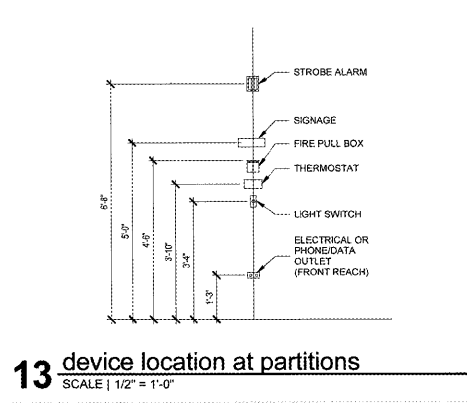
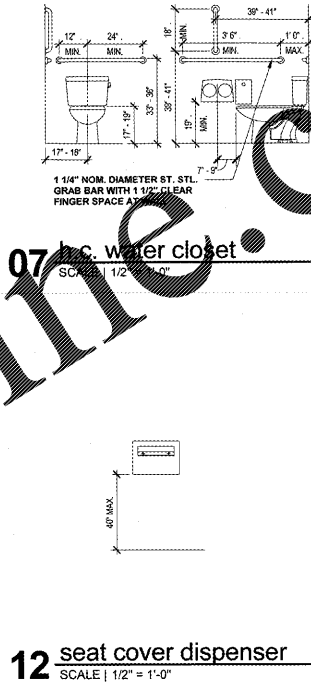
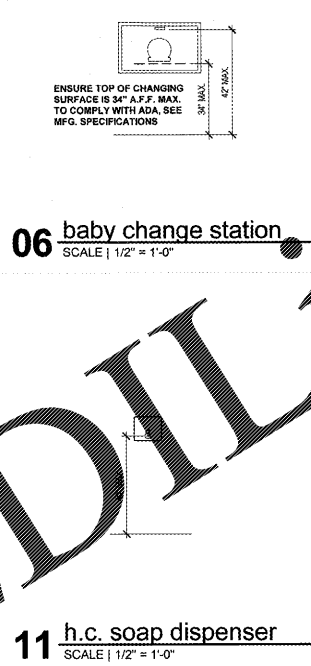
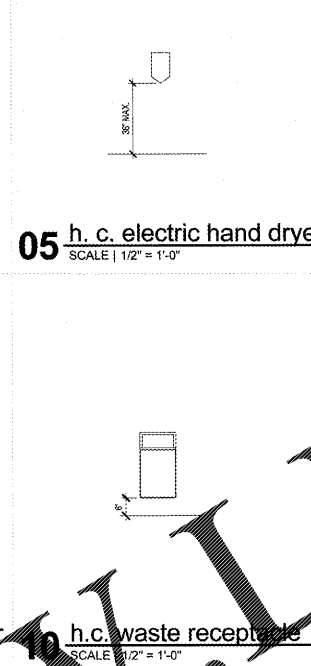
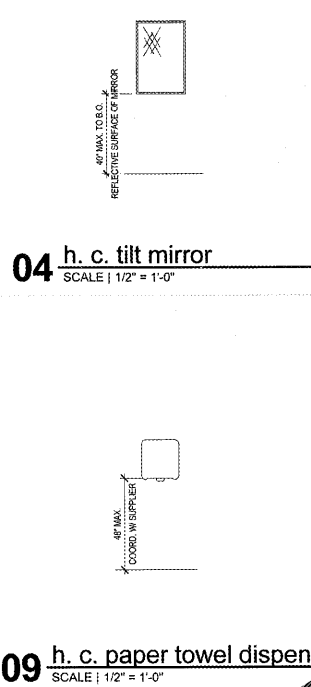
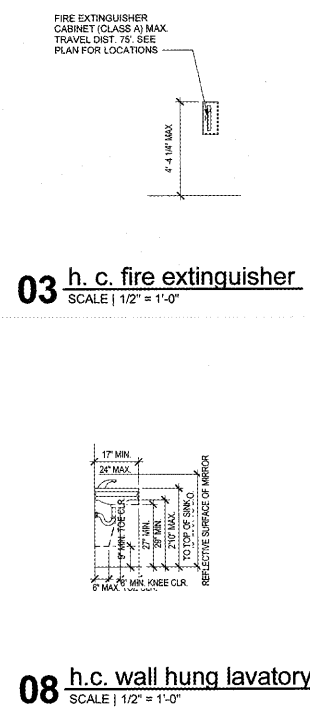
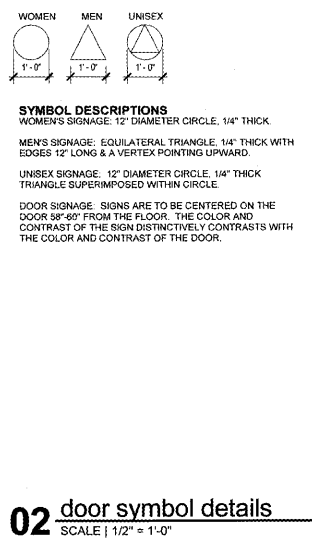
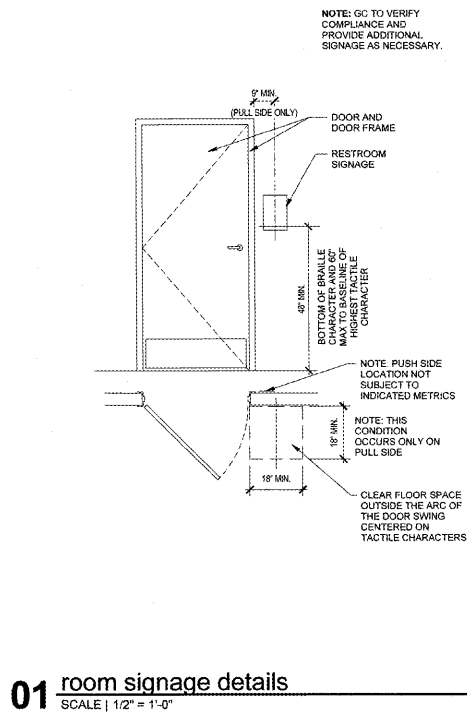


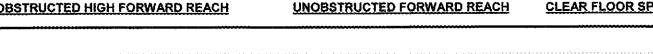
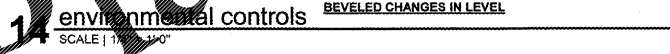
ACCESSIBLE MOUNTING DETAIL



general notes

- WATER CLOSET CONTROLS SHALL BE OPERABLE WITH ONE HAND, AND SHALL NOT REQUIRE TIGHT GRASPING, PINCHING, OR TWISTING OF THE WRIST.
- CONTROLS FOR FLUSHING OF WATER CLOSETS AND URINALS SHALL BE MOUNTED ON THE WIDE SIDE OF TOILET AREAS, NO MORE THAN 43 1/4" F.F.
- THE FORCE REQUIRED TO ACTIVATE CONTROLS SHALL BE NO GREATER THAN 5 POUNDS FORCE.
- IF SELF-CLOSING VALVES ARE USED, THEY SHALL REMAIN OPEN FOR AT LEAST 10 SECONDS.
- FAUCET CONTROLS AND OPERATING MECHANISM SHALL NOT BE OF THE TYPE REQUIRING TIGHT GRASPING, PINCHING OR TWISTING OF THE WRIST (OPERABLE WITH ONE HAND SUCH AS LEVER-OPERATED) AND AN OPERATING FORCE NOT EXCEEDING 5 POUNDS.
- LAVATORY - INSULATE ALL EXPOSED PLUMBING LINES AND DRAINS.

NOTE: INTERNATIONAL TOILET FACILITY SYMBOLS ARE REQUIRED ON WALL SIGN BUT NOT ON DOOR SIGN IN THE SAME CONTRASTING COLOR.



Order Plans @

WWW.LDILINE.COM



submission:	Date
OWNER/LL REVIEW	11/01/2018
BID SET	11/01/2018
PERMIT SET	11/01/2018

revisions:	Date
# Description	

