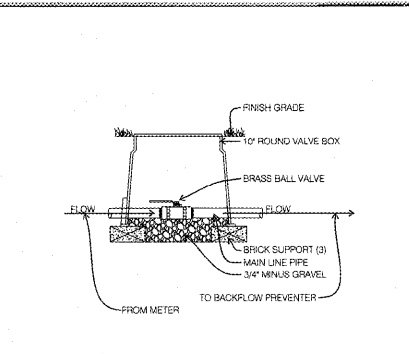
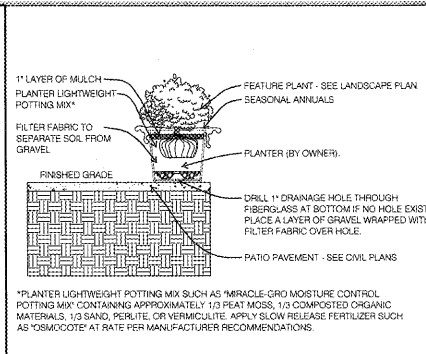


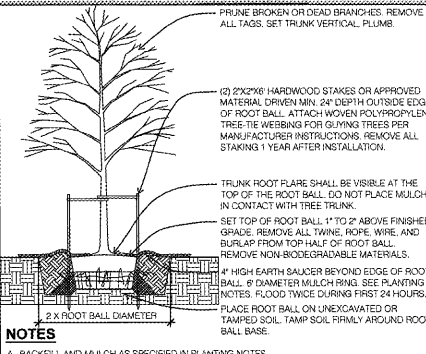
**ICV GLOBE VALVE**  
SCALE: NONE



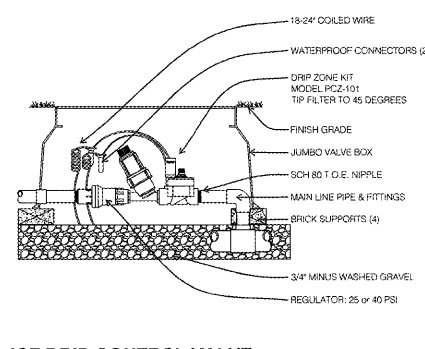
**BALL VALVE**  
SCALE: NONE



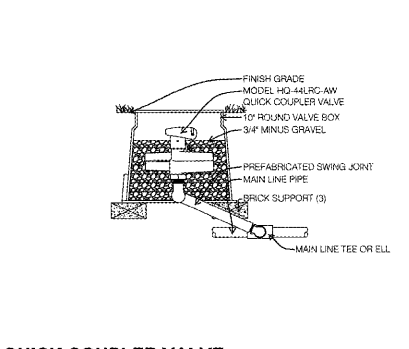
**PLANTER**  
SCALE: NONE



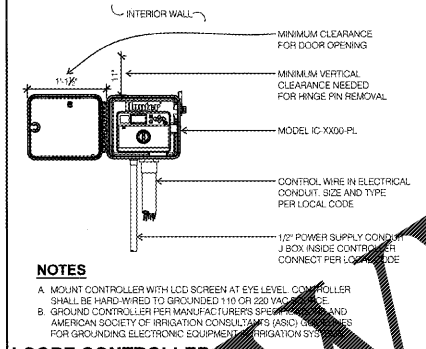
**TREE PLANTING**  
SCALE: NONE



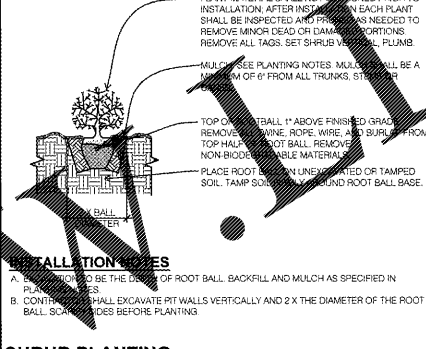
**ICZ DRIP CONTROL VALVE**  
SCALE: NONE



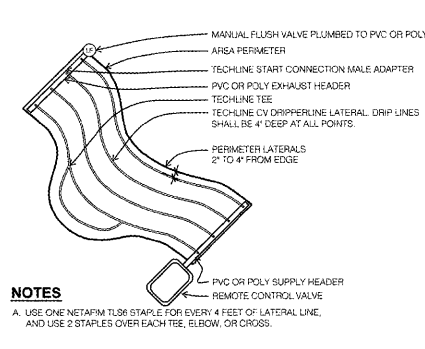
**QUICK COUPLER VALVE**  
SCALE: NONE



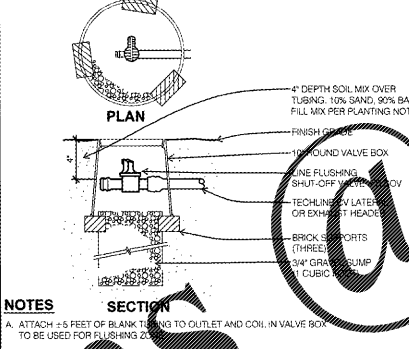
**I-CORE CONTROLLER**  
SCALE: NONE



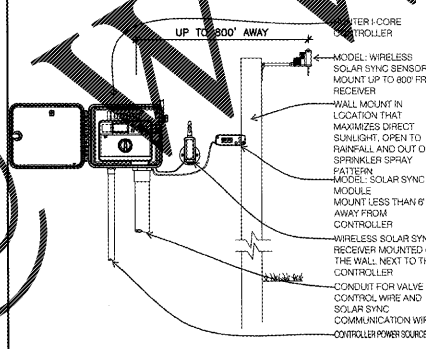
**SHRUB PLANTING**  
SCALE: NONE



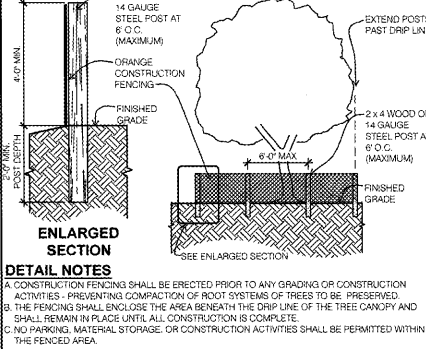
**NETAFIM TECHLINE CV**  
SCALE: NONE



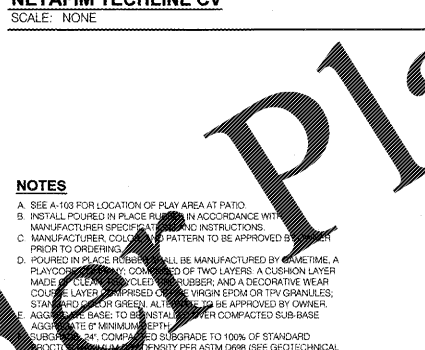
**NETAFIM MANUAL LINE FLUSHING VALVE**  
SCALE: NONE



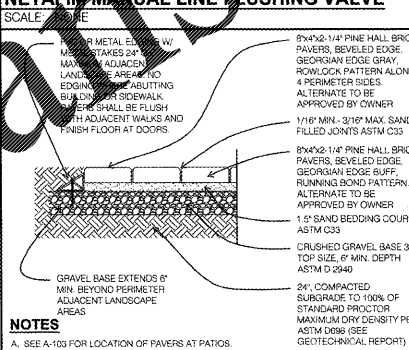
**WIRELESS SOLAR SYNC SYSTEM**  
SCALE: NONE



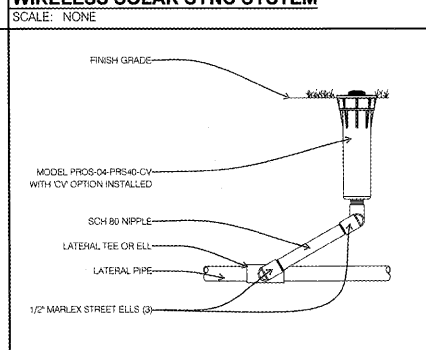
**ENLARGED SECTION**  
SCALE: NONE



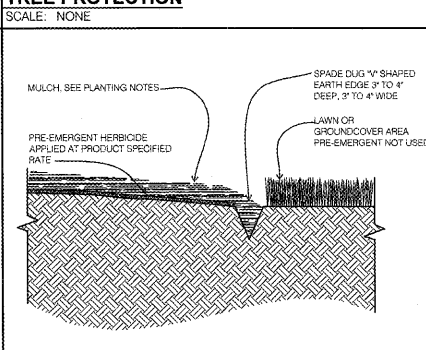
**PLAY AREA RUBBER SURFACE**  
SCALE: NONE



**PAVER DETAIL**  
SCALE: NONE



**PROS-04-PRS40-CV MP ROTATOR SPRINKLER**  
SCALE: NONE



**PLANTING BED EDGE**  
SCALE: NONE

**PLANTING NOTES**

A. THE LANDSCAPE CONTRACTOR SHALL GUARANTEE ALL PLANTS INSTALLED FOR ONE FULL YEAR FROM DATE OF ACCEPTANCE BY THE OWNER. ALL PLANTS SHALL BE ALIVE AND AT A VIGOROUS RATE OF GROWTH AT THE END OF THE GUARANTEE PERIOD.

B. PRIOR TO INSTALLATION, THE LANDSCAPE CONTRACTOR SHALL INSPECT THE SUBGRADE, GENERAL SITE CONDITIONS, VERIFY ELEVATIONS, UTILITY LOCATIONS, IRRIGATION, APPROVE TOPSOIL PROVIDED BY GENERAL CONTRACTOR AND OBSERVE THE SITE CONDITIONS UNDER WHICH THE WORK IS TO BE DONE. CONTRACTOR SHALL NOTIFY GENERAL CONTRACTOR OF ANY UNSATISFACTORY CONDITIONS AND WORK SHALL NOT PROCEED UNTIL SUCH CONDITIONS HAVE BEEN CORRECTED AND ARE ACCEPTABLE TO THE LANDSCAPE CONTRACTOR.

C. IF THE LANDSCAPE CONTRACTOR OBSERVES ANY DEFICIENCIES IN THE PLANT SELECTIONS, SOIL CONDITIONS OR ANY OTHER CONDITION WHICH MIGHT NEGATIVELY AFFECT PLANT ESTABLISHMENT, SURVIVAL OR GUARANTEE, CONTRACTOR SHALL NOTIFY THE LANDSCAPE ARCHITECT OR OWNERS REPRESENTATIVE PRIOR TO PROCEEDING WITH AND/OR INSTALLATION.

D. PLANT MATERIAL SHALL CONFORM TO THE PLANT LIST AND SPECIFICATIONS AND TO THE QUALITY STANDARDS OF AMERICAN STANDARD PROPAGATORS' SOCIETY, THE AMERICAN NURSERY & LANDSCAPE ASSOCIATION (ANSI) 2003, LATEST EDITION. PLANTS SHALL EQUAL OR EXCEED THE MEASUREMENT AND SIZES SPECIFIED IN THE SPECIFICATIONS. IN THE EVENT OF VARIATION BETWEEN QUANTITIES SHOWN ON THE SCHEDULES AND THE PLANS, THE PLANS SHALL TAKE PRECEDENCE. CONTRACTOR TO VERIFY QUANTITIES AND NOTIFY LANDSCAPE ARCHITECT OF ANY DISCREPANCIES PRIOR TO INSTALLATION.

E. SUBSTITUTIONS SHALL BE PERMITTED WITH NOTIFICATION AND WRITTEN APPROVAL FROM LANDSCAPE ARCHITECT. SUBSTITUTED MATERIAL SHALL MEET NEAREST EQUIVALENT WITHIN EQUIVALENT PRICE.

F. THE LANDSCAPE CONTRACTOR SHALL HAVE ALL TESTS PERFORMED IN LAWN AND PLANTING AREAS TO VERIFY NUTRIENT AND PH LEVELS. THE LANDSCAPE CONTRACTOR SHALL INCORPORATE FERTILIZER AND/OR SOIL AMENDMENT ADDITIVES AS RECOMMENDED BY SOIL TEST.

G. PLANTING BEDS TO RECEIVE 6\"/>

H. ALL PLANTING BED EDGES TO BE SMOOTH, CONSISTENT FLOWING ARCS. SEE PLANTING BED EDGE DETAIL. MULCH AT THE EDGE OF PAVEMENT SHALL BE REDUCED ONE INCH BELOW THE TOP OF PAVEMENT BEDS TO BE LAID OUT AND APPROVED BY LANDSCAPE ARCHITECT OR OWNERS REPRESENTATIVE PRIOR TO PLANTING. ALL EXCAVATED MATERIAL SHALL BE REMOVED FROM THE BED EDGE AND PLANTING BED.

I. CONTRACTOR TO SLIGHTLY FIELD ADJUST PLANT LOCATIONS AS NECESSARY TO AVOID UTILITIES. FINISHED PLANTING BEDS SHALL BE GRADED TO PROVIDE POSITIVE DRAINAGE AWAY FROM BUILDINGS.

J. PARKING LOT TREES SHALL HAVE A CLEAR TRUNK HEIGHT OF 6\"/>

K. TREES SHALL BE PLACED A MINIMUM OF 3\"/>

L. PLANTINGS AT THE END OF PARKING SPACES SHALL BE SET BACK A MINIMUM OF 3\"/>

M. PLANTING BEDS SHALL BE COVERED WITH PRE-EMERGENT HERBICIDE APPLIED AT PRODUCT SPECIFIED RATE UNLESS NOTED OTHERWISE.

N. ALL PLANTING BEDS SHALL RECEIVE MULCH UNLESS NOTED OTHERWISE. MULCH SHALL BE DISEASE AND PEST FREE, UNIFORM COLOR, AND FREE OF TWIGS, LEAVES OR OTHER MATERIAL. LINDBERGH MULCH IS TO BE USED. MULCH SHALL NOT CONTAIN MANURE OR MALODOROUS CONTENTS. DO NOT PLACE MULCH AGAINST OR IN CONTACT WITH TREE TRUNKS. TRUNK ROOT FLARE SHALL BE VISIBLE AT THE TOP OF THE ROOT BALL. MULCH SHALL BE A MINIMUM OF 2\"/>

O. WITHIN CONTRACT LIMITS, SOIL ALL AREAS NOT COVERED BY PAVING, BUILDINGS OR PLANTING BEDS UNLESS NOTED OTHERWISE. SOODING SHALL NOT BEGIN UNTIL AREA HAS RECEIVED A FINISHED GRADE.

P. LANDSCAPE CONTRACTOR RESPONSIBLE FOR MAINTENANCE OF ALL LANDSCAPE AREAS (EXISTING OR PROPOSED) UNTIL SITE TURNOVER.

Q. ANY ITEM OR AREAS DAMAGED DURING CONSTRUCTION SHALL BE REPAIRED OR REPLACED TO ORIGINAL CONDITION AT THE CONTRACTOR'S EXPENSE.

R. LANDSCAPING TO COMPLY WITH ALL APPLICABLE CITY/LOCAL REGULATIONS.

S. THE LANDSCAPE CONTRACTOR SHALL BE RESPONSIBLE FOR WATERING NEW LANDSCAPING TO MAINTAIN PLANTS IN A HEALTHY CONDITION DURING THE GUARANTEE PERIOD.

**SOD NOTES**

A. SITE TO BE FINE GRADED BEFORE PERMANENT SOODING.

B. SOIL SHALL BE LOOSENED TO A DEPTH OF 4\"/>

C. PROVIDE SOIL PH TESTING. ADJUST THE PH RANGE OF SOILS THAT ARE UNACCEPTABLE PER LOCAL COOPERATIVE EXTENSION SERVICE TURF STANDARDS. INCORPORATE RAW GROUND AGRICULTURAL LIMESTONE OR ALUMINUM SULFATE UNIFORMLY AT THE RATE SPECIFIED BY THE MANUFACTURER.

**SOD INSTALLATION**

A. ALL SOD AND INSTALLATION TECHNIQUES SHALL ADHERE TO TURFGRASS PRODUCERS INTERNATIONAL, GUIDELINE SPECIFICATIONS, CURRENT EDITION.

B. SOD AREAS TO BE SOODING WITH WORKABLE SIZE ROLLS OR CUT PIECES THAT ARE NOT BROKEN OR STRETCHED. SOD SHALL BE FREE OF THATCH. SOODING SHOULD BE DONE IN GOOD WEATHER. SOD SHALL BE INSTALLED WITHIN 24 HOURS OF ARRIVAL AT THE SITE.

C. SOD SHALL BE LAID PARALLEL TO THE CONTOURS AND SHALL HAVE STAGGED JOINTS. ON SLOPES GREATER THAN 3:1 OR IN DRAINAGE SWALES SOD SHALL BE STAGGED.

D. APPLY STARTER FERTILIZER AT TIME OF SOODING AT RATE RECOMMENDED BY MANUFACTURER. CONTRACTOR IS RESPONSIBLE FOR THE INITIAL WATERING.

**MAINTENANCE**

A. WATER 1 INCH MIN. WITHIN THE FIRST HOUR OF SOD INSTALLATION. BEGIN IRRIGATION SYSTEM DURING THE FOLLOWING 3 DAYS KEEPING THE SOODING AREA MOIST.

B. CONTINUED MAINTENANCE (MOWING, FERTILIZATION, WEEDING, ETC.) OF THE SOODING AREA SHOULD BE PROVIDED BY A PROFESSIONAL LANDSCAPE MAINTENANCE CONTRACTOR.

architect + engineer  
**wd.com** thinks that's better

7007 DISCOVERY BLVD  
DUBLIN, OH 43017  
614.534.7000  
WDPARTNERS.COM

project no. | KRKNS0002

owner  
**Kruppy's Home DOUGHNUTS**  
KERRY KRUPPY  
818 CONCORD MILLS BOULEVARD  
CONCORD, NC

project info

issue dates

submission:	date
OWNER'S REVIEW:	11/01/2018
BID SET:	11/01/2018
PERMIT SET:	11/01/2018

revisions:

description	date
-------------	------

designed by: B. FRIENMAKER  
checked by: B. FRIENMAKER

seal

PROFESSIONAL LANDSCAPE ARCHITECT  
1867  
B7  
NOV 02 2018

sheet info  
**LANDSCAPE DETAILS**  
**L1.02**

Order Plans