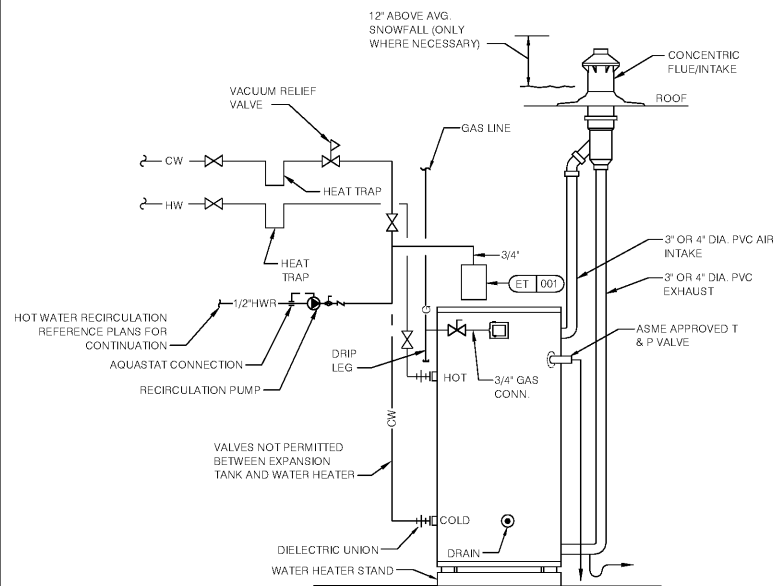
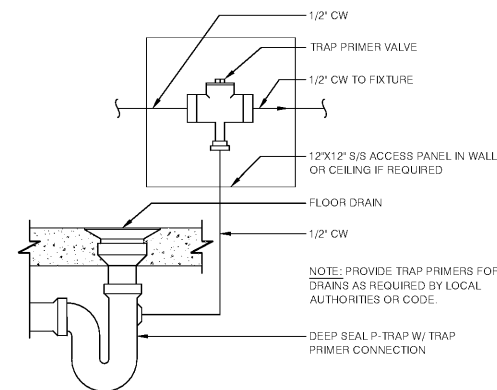


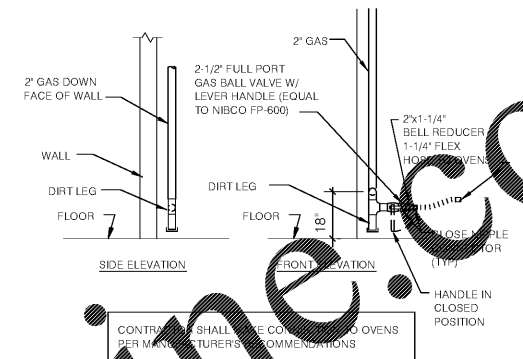
Order Plans @ WWW.LDILINE.COM



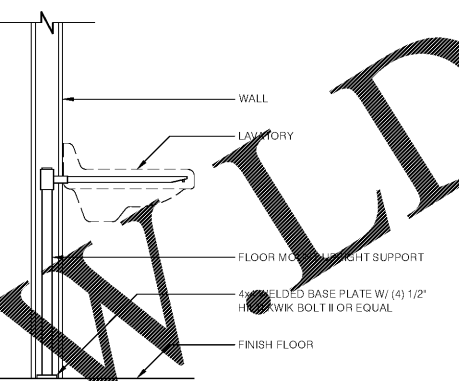
WATER HEATER NTS 8



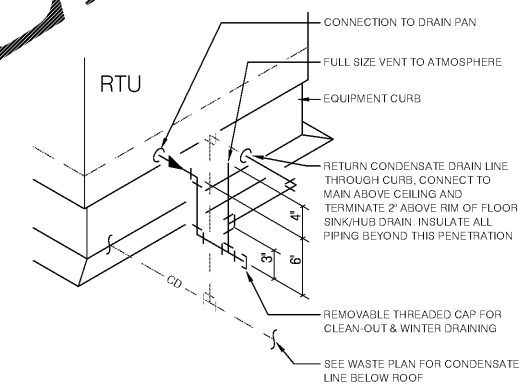
TRAP PRIMER (AS REQ. BY CODE) NTS 5



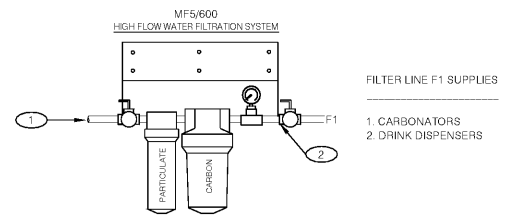
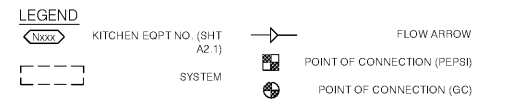
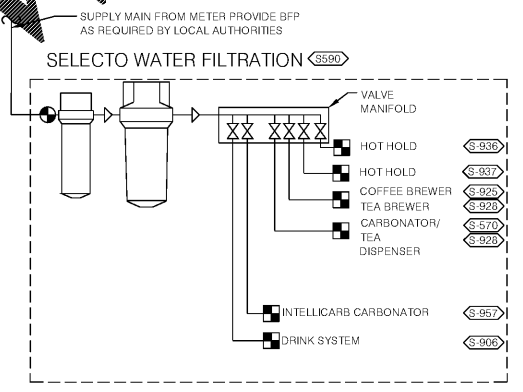
OVEN GAS CONNECTION NTS 1



LAVATORY SUPPORT NTS 6

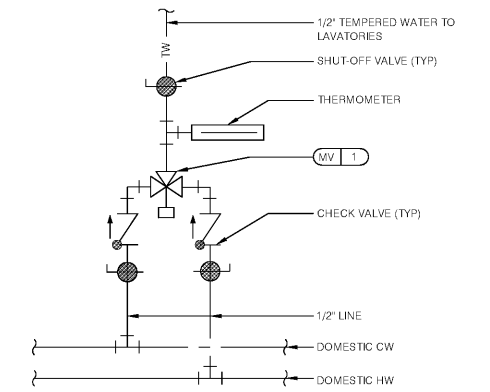


RTU CONDENSATE NTS 2

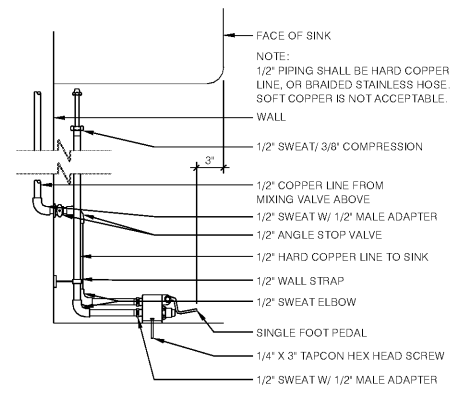


- KEY NOTES:  
 1. 3/4" COLD WATER INLET TO 1/2" COPPER LINE AND FITTINGS AT FILTER  
 2. 3/4" F2 OUTLET W/ INTEGRAL BACKFLOW PREVENTER, EQUAL TO WATTS REGULATOR CO. SERIES 007 AND SERVICE BALL VALVE.
- GENERAL NOTES:  
 1. OVERALL DIMENSIONS 21-0" WIDE x 8" DEEP x 16" HIGH  
 2. SEE SCOPE OF WORK FOR ADDITIONAL INFORMATION.  
 3. SEE SHT. A2 OF OR LOCATION.  
 4. INSTALLATION MUST COMPLY WITH STATE OR LOCAL PLUMBING CODES.  
 5. THE UNIT MUST BE PROTECTED AGAINST FREEZING.  
 6. USE ONLY TEFLON (HIGH-LOW TEMPERATURE) TAPE TO SEAL THREADED PARTS; NO PIPE DOPE.  
 7. DO NOT INSTALL WHERE LINE PRESSURE EXCEEDS 125 PSI OR WHERE TEMPERATURE EXCEEDS 100 F.

WATER FILTER SYSTEM NTS 7



TEMPERING VALVE NTS 3



FOOT PEDAL NTS 4

08/10/18  
 1845  
 DRAWN: BH, MJ, SO  
 CHECKED: AR, CF  
 ACC #: 1820228

DETAILS  
 PLUMBING

FRANCHISEE  
**PIZZA HUT**  
 International  
 7300 W. 129TH STREET  
 OVERLAND PARK, KANSAS  
 66213  
 PHONE: (913) 327-5555  
 FAX: (913) 327-5850

PIZZA HUT #1845  
 5229 US HWY 231  
 WETUMPKA, ALABAMA

**ACERTUS**  
 CONSULTING GROUP, LLC  
 14817 West 59th Street  
 Lenexa, Kansas 66215  
 P 913.322.5150 F 913.322.5155  
 www.AcertusGroup.com

ALABAMA  
 LICENSED  
 PROFESSIONAL ENGINEER  
 No. 29349-E  
 CHARLES W. FREEMAN  
 10/09/18

SHEET NUMBER  
**P4.0**