

Order Plans @

KITCHEN GREASE EXHAUST HOOD FIRE SUPPRESSION SYSTEM:

THE EXHAUST HOOD MANUFACTURER SHALL FURNISH AND INSTALL A KITCHEN EXHAUST HOOD FIRE SUPPRESSION INSTALLED TO MEET ALL NFPA AND LOCAL CODE REQUIREMENTS.

THE SYSTEM SHALL INCLUDE:

1. CYLINDER CONTROL HEAD
2. PIPING
3. CYLINDERS - CONTAINING FIRE SUPPRESSION CHEMICAL AGENT TO ALL LOCAL CODE REQUIREMENTS
4. FIRE SUPPRESSION NOZZLE AS REQUIRED BY THE KITCHEN EXHAUST HOOD AND KITCHEN EQUIPMENT
5. REMOTE MANUAL RESET STATION
6. FUSIBLE LINK
7. CUSTOMER GAS SHUT-OFF VALVE WITH TRIP FOR ELECTRICAL DEVICES UNDER HOOD
8. BURNER KEYS

THE FIRE SUPPRESSION SYSTEM SHALL BE INTERLOCKED WITH THE HVAC, GAS, ELECTRICAL AND BUILDING FIRE ALARM SYSTEMS AS REQUIRED BY CODE.

THE FIRE SUPPRESSION SHALL BE PROVIDED WITH A POWER BACK-UP SYSTEM TO ALLOW THE SYSTEM TO OPERATE WHEN ELECTRICAL POWER TO THE SPACE IS DISCONNECTED.

THE CONTRACTOR SHALL SCHEDULE AND CONDUCT ALL TESTS AND INSPECTIONS REQUIRED FOR THE APPROVAL OF THE FIRE SUPPRESSION SYSTEM.

DUCTWORK:

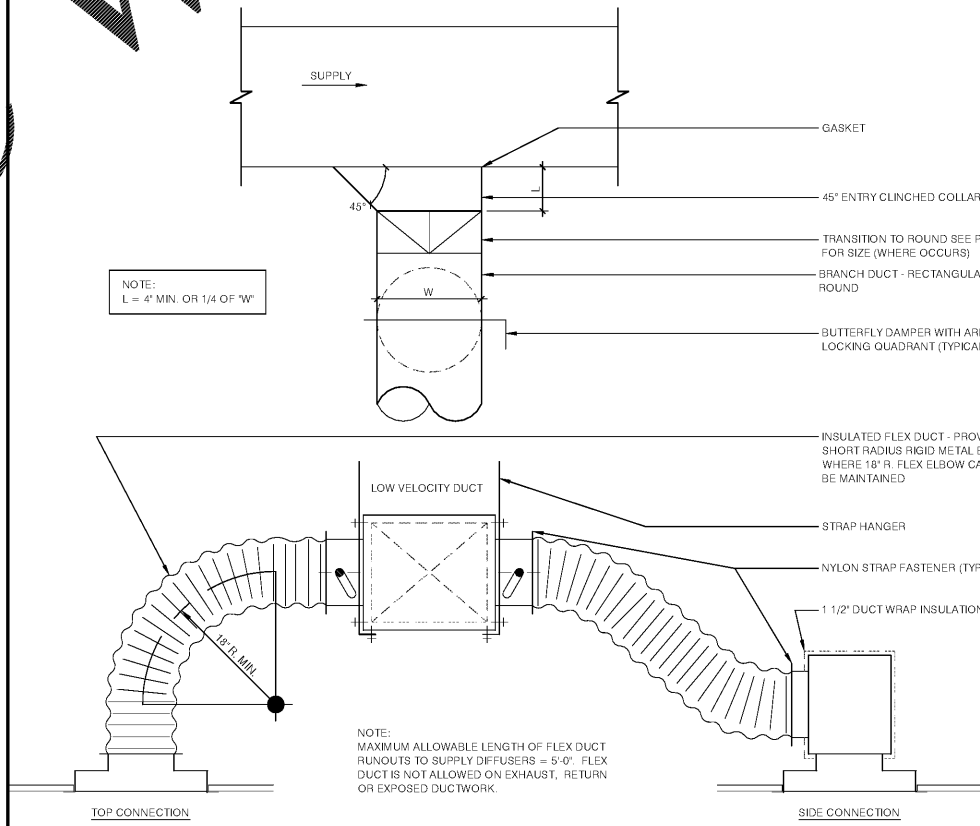
KITCHEN HOOD GREASE EXHAUST DUCTWORK:
BLACK STEEL WELDED CONSTRUCTION (16 GA) TO BE FABRICATED AND INSTALLED PER SMACNA STANDARDS AND SPECIFICATIONS AND ALL LOCAL CODE REQUIREMENTS.

THE KITCHEN HOOD EXHAUST DUCTWORK SHALL BE COVERED WITH A 2-HR CODE APPROVED FIRE RATED INSULATION.

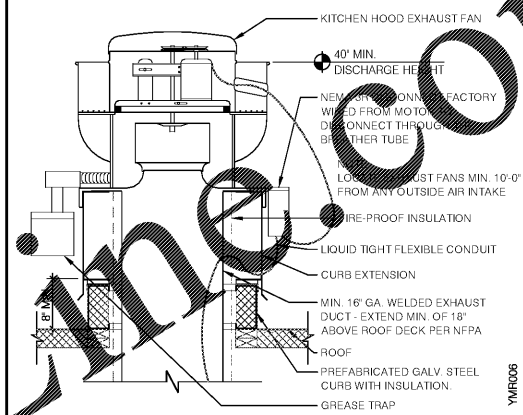
THE CONTRACTOR SHALL INCLUDE IN HIS PRICE:

- ALL NECESSARY TRANSITION AND CONNECTION FITTINGS TO THE HOOD AND EXHAUST FANS.
- ALL CLEAN-OUT ACCESS PANELS AS REQUIRED BY CODE.
- ALL ELBOW AND TRANSITION FITTINGS.
- ALL HANGERS AND SUPPORTS.
- SHOP DRAWINGS SHOWING PROPOSED FABRICATION AND INSTALLATION COORDINATED WITH EXISTING FIELD CONDITIONS AND OTHER TRADES.

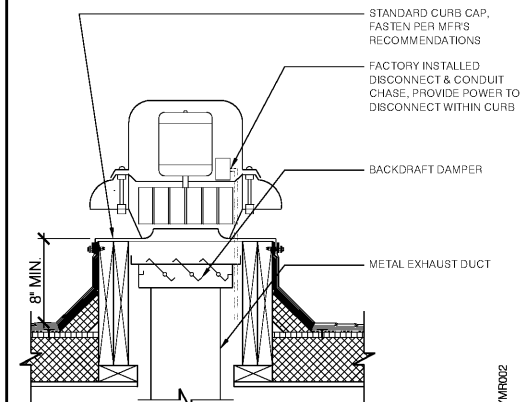
HOOD EXHAUST NOTES NO SCALE 7



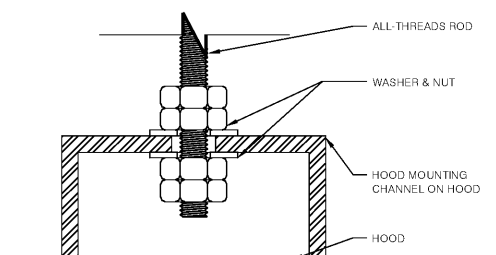
CEILING DIFFUSER CONNECTIONS N.T.S. 6



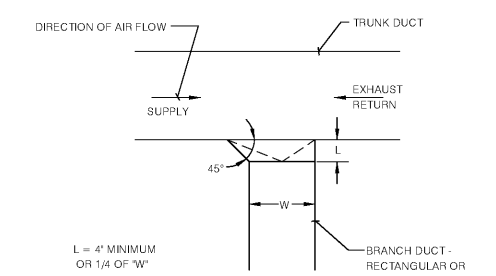
EXHAUST FAN N.T.S. 1



RESTROOM FAN N.T.S. 2



BOLT CONNECTION TO HOOD N.T.S. 3



DUCT CONNECTION DETAIL N.T.S. 4

08/10/18
1845
DRAWN: BH, MJ, SO
CHECKED: AR, CF
ACG #: 1820228

HVAC DETAILS



FRANCHISEE



7300 W. 129TH STREET
OVERLAND PARK, KANSAS
66213
PHONE: (913) 327-5555
FAX: (913) 327-5850

PIZZA HUT #1845
5229 US HWY 231
WETUMPKA, ALABAMA

ACERTUS
CONSULTING GROUP, LLC
14817 West 59th Street • Lenexa, Kansas 66215
P 913.322.5150 • F 913.322.5155
www.AcertusGroup.com



ALABAMA
LICENSED
PROFESSIONAL
ENGINEER
CHARLES E. FREEMAN
10/09/18

SHEET NUMBER
M4.0

REVISIONS: