

**HOOD INFORMATION -- Job#3552594**

HOOD NO.	TAG	MODEL	LENGTH	MAX. COOKING TEMP.	EXHAUST PLENUM (RISERS)							HOOD CONSTRUCTION	HOOD CONFIG.		
					TOTAL EXH. CFM	WIDTH	LENG.	HEIGHT	DIA.	CFM	VEL.		S.P.	END TO END	RDW
1	E56370070+E56370106	3347 BD-2	4' 0"	450 Deg.	600	7"	7"	4"		600	1763	-0.293'	430 SS where Exposed	ALONE	ALONE

**HOOD INFORMATION**

HOOD NO.	TAG	TYPE	FILTER(S)				LIGHT(S)				UTILITY CABINET(S)				FIRE SYSTEM HANGING PIPING	HOOD WEIGHT
			QTY.	HEIGHT	LENGTH	EFFICIENCY @ 7 MICRONS	QTY.	TYPE	WIRE GUARD	LOCATION	SIZE	TYPE	SIZE	MODEL #		
1	E56370070+E56370106	SS Raffle with Handles	2	16"	20"	30%	2	L55 Series E26	NO						YES	190 LBS

**HOOD OPTIONS**

HOOD NO.	TAG	OPTION
1	E56370070+E56370106	FIELD WRAPPER 26.00" High Front, Left, Right BACKSPLASH 111.00" High X 84.00" Long 430 SS Vertical RIGHT QUARTER END PANEL 23" Top Width, 0" Bottom Width, 23" High 430 SS LEFT QUARTER END PANEL 23" Top Width, 0" Bottom Width, 23" High 430 SS INSULATION FOR BACK OF HOOD SENSOR-CV

**EXHAUST FAN INFORMATION -- Job#3552594**

FAN UNIT NO.	TAG	FAN UNIT MODEL #	CFM	ESP.	RPM	K.P.	B.H.P.	Ø	VOLT	FLA	DISCHARGE VELOCITY	WEIGHT (LBS.)	SONES
1	E56370112	BUS34FA	600	1.000	1536	0.333	0.2430	1	115	4.4	297 FPM	74	18.3

**FAN OPTIONS**

FAN UNIT NO.	TAG	OPTION (Qty. - Descr.)
1	E56370112	1 - Grease Box 1 - Hinge Kit - Ships Loose for Curb Supplied by Others 1 - ECM Wiring Package-Exhaust - PWM Signal From ECMMS Prewire (NDEC Motor)

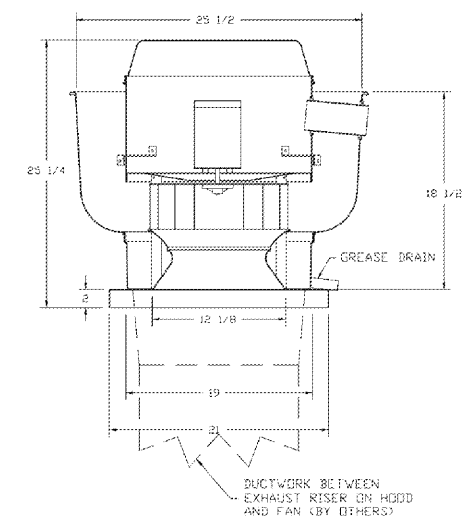
**FAN ACCESSORIES**

FAN UNIT NO.	TAG	EXHAUST				SUPPLY			
		GREASE CUP	GRAVITY DAMPER	WALL MOUNT	SIDE DISCHARGE	GRAVITY DAMPER	MOTORIZED DAMPER	WALL MOUNT	
1	E56370112	YES							

**CURB ASSEMBLIES**

NO.	ON FAN	TAG	WEIGHT	ITEM	SIZE
1	# 1	E56370030	30 LBS	Curb	19.500"W x 19.500"L x 22.000"H Vented

**FAN, BL. BUS34FA - EXHAUST FAN (E56370112)**



**FEATURES**

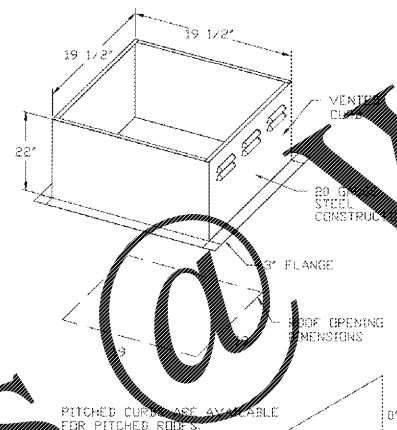
- DIRECT DRIVE CONSTRUCTION (NO BELTS/PULLEYS)
- ROOF MOUNTED FANS
- RESTAURANT MODEL
- UL795 AND UL762 AND ELC-5645
- VARIABLE SPEED CONTROL
- INTERNAL WIRING
- WEATHERPROOF DISCONNECT
- THERMAL OVERLOAD PROTECTION (SINGLE PHASE)
- HIGH HEAT OPERATION 300°F (149°C)
- GREASE CLASSIFICATION TESTING

**NORMAL TEMPERATURE TEST**  
EXHAUST FAN MUST OPERATE CONTINUOUSLY WHILE EXHAUSTING BURNING GREASE VAPORS UNTIL ALL FAN PARTS HAVE REACHED THERMAL EQUILIBRIUM, AND WITHOUT ANY DEGRADATION EFFECTS TO THE FAN WHICH WOULD CAUSE UNSAFE OPERATION.

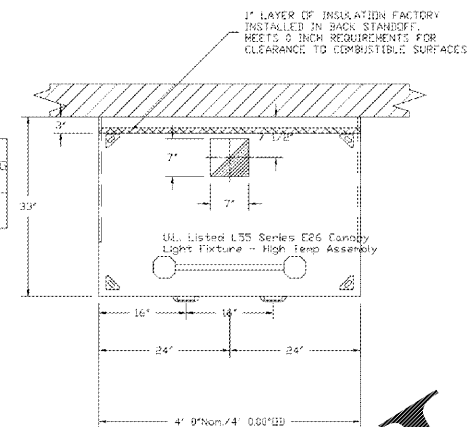
**ABNORMAL FLAME-UP TEST**  
EXHAUST FAN MUST OPERATE CONTINUOUSLY WHILE EXHAUSTING BURNING GREASE VAPORS AT 600°F (316°C) FOR A PERIOD OF 15 MINUTES WITHOUT THE FAN BECOMING DAMAGED TO ANY EXTENT THAT COULD CAUSE AN UNSAFE CONDITION.

**OPTIONS**

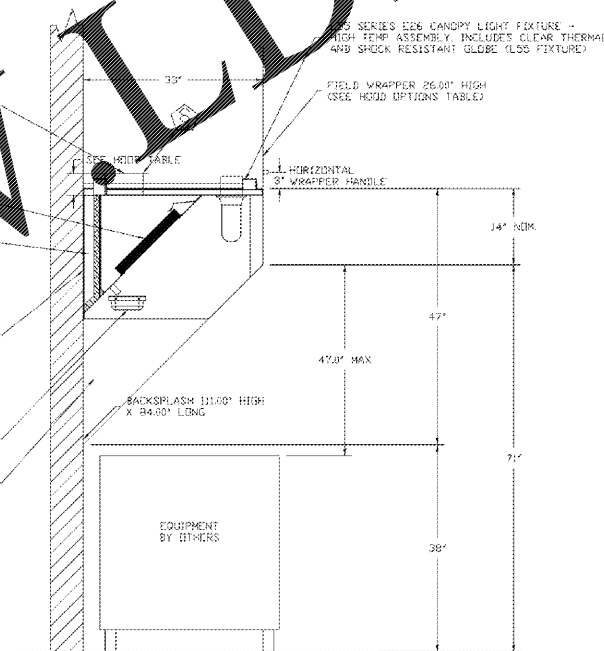
GREASE KIT - SEE LISTING FOR CURB ASSEMBLY  
FIELD INSTALLED QUARTER END PANELS  
WIRING PACKAGE-EXHAUST - PWM SIGNAL FROM ECMMS PREWIRED (NDEC MOTOR)



PITCHED CURB (SEE AVAILABLE FOR PITCHED ROOFS)  
SPECIFY PITCH  
EXAMPLE: 7/12 PITCH = 30° SLOPE



PLAN VIEW - Hood #1 (E56370070+E56370106) 4' 0.00" LONG 33" HIGH-2



SECTION VIEW - MODEL 3347BD-2 HOOD - #1 (E56370070+E56370106)

**REVISIONS**

NO.	DESCRIPTION	DATE

**REVISIONS**

DATE: 9/19/2018  
DWG.#: 3552594  
DRAWN BY: BJL-45  
SCALE: 3/4" = 1'-0"  
MASTER DRAWING

Pizza Hut NPC 4 Wetumpka, AL #1845  
WETUMPKA, AL

**SHEET NO.**

08/10/18 1845  
JOB NO: 1845  
DRAWN: BH, MJ, SO  
CHECKED: AR, CF  
ACC #: 182028

HOOD DWGS.

**Pizza Hut**  
FRANCHISEE  
**npc**  
International  
7300 W. 129TH STREET  
OVERLAND PARK, KANSAS  
66213  
PHONE: (913) 327-5555  
FAX: (913) 327-5850

**PIZZA HUT #1845**  
5229 US HWY 231  
WETUMPKA, ALABAMA

FOR REFERENCE ONLY

SHEET NUMBER  
**M3.0**

Order Plans @ WWW.DILine.com