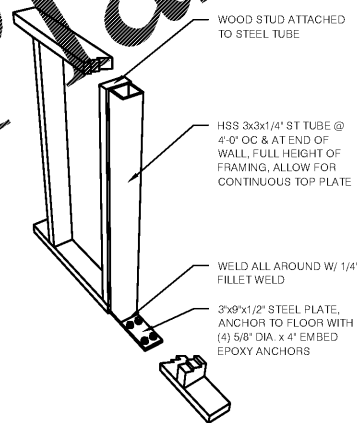


Order Plans

WWW.LDIDLINE.COM

LOW WALL BRACE N.T.S. **6**



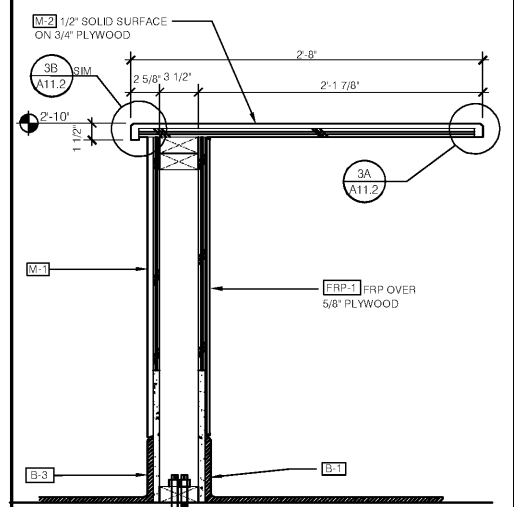
WOOD STUD ATTACHED TO STEEL TUBE

HSS 3x3x1/4" ST TUBE @ 4'-0" O.C. & AT END OF WALL. FULL HEIGHT OF FRAMING. ALLOW FOR CONTINUOUS TOP PLATE

WELD ALL AROUND W/ 1/4" FILLET WELD

3"x9"x1/2" STEEL PLATE, ANCHOR TO FLOOR WITH (4) 5/8" DIA. x 4" EMBED EPOXY ANCHORS

SERVICE COUNTER 1-1/2" = 1'-0" **4**



M-2 1/2" SOLID SURFACE ON 3/4" PLYWOOD

3B A11.2

2-10"

1-1/2"

2-5/8" 3 1/2"

2-8"

2'-1 7/8"

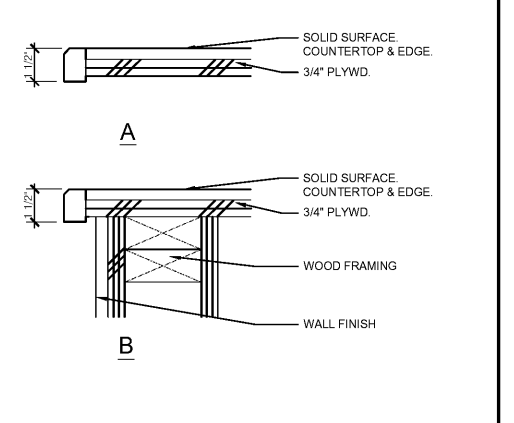
3A A11.2

ERP-1 FRP OVER 5/8" PLYWOOD

B-3

B-1

CORNER EDGE DETAIL 3" = 1'-0" **3**



A

SOLID SURFACE COUNTERTOP & EDGE

3/4" PLYWD.

B

SOLID SURFACE COUNTERTOP & EDGE

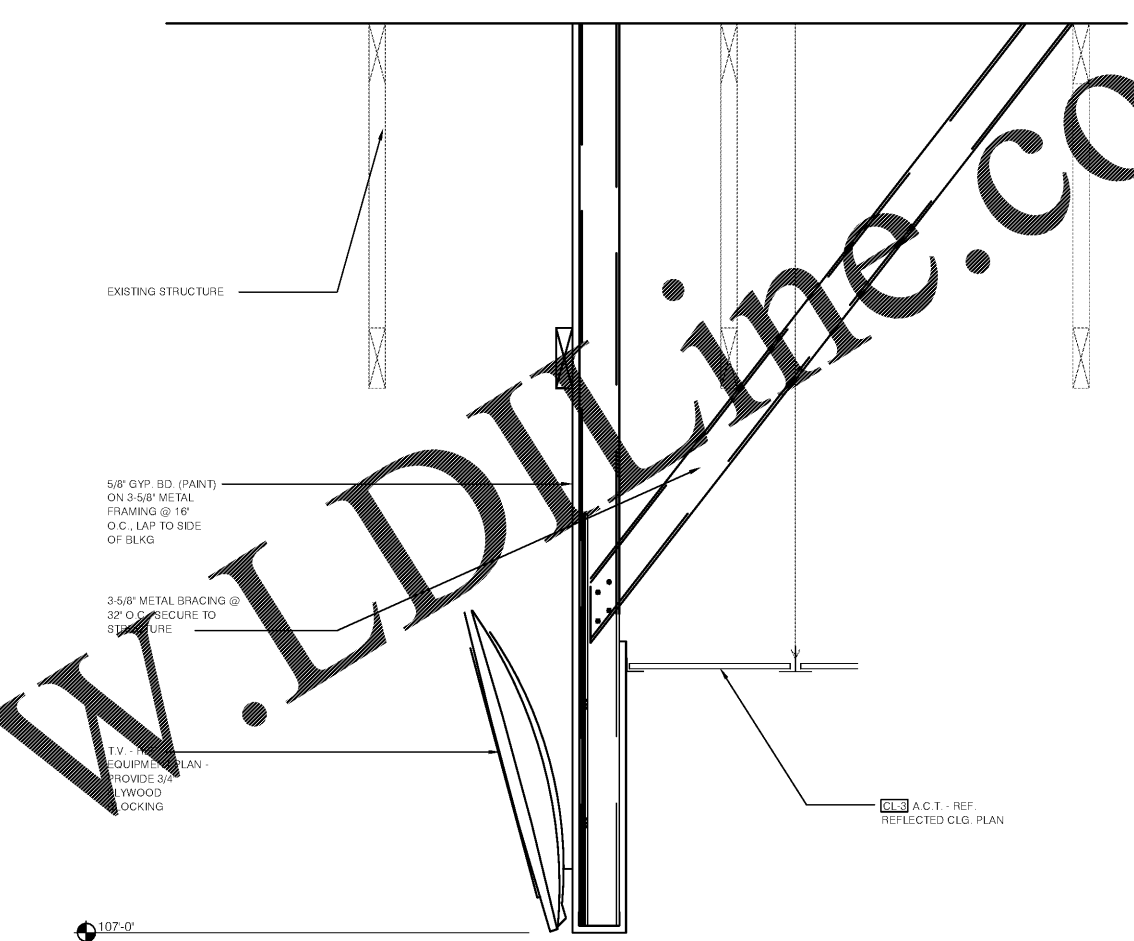
3/4" PLYWD.

WOOD FRAMING

WALL FINISH

NOT USED **5**

CEILING SECTION AT BULKHEAD 1 1/2" = 1'-0" **2**



EXISTING STRUCTURE

5/8" GYP. BD. (PAINT) ON 3-5/8" METAL FRAMING @ 16" O.C., LAP TO SIDE OF BLKG

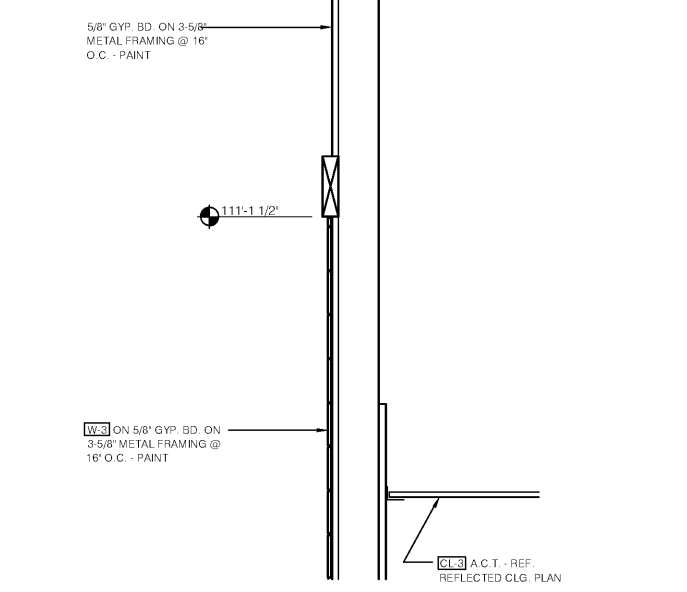
3-5/8" METAL BRACING @ 32" O.C. SECURE TO STRUCTURE

T.V. EQUIPMENT PLAN - PROVIDE 3/4" PLYWOOD LOCKING

CL-3 A.C.T. - REF. REFLECTED CLG. PLAN

107'-0"

NARROW BULKHEAD 1 1/2" = 1'-0" **1**



5/8" GYP. BD. ON 3-5/8" METAL FRAMING @ 16" O.C. - PAINT

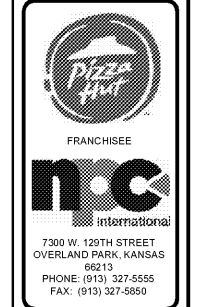
W-3 ON 5/8" GYP. BD. ON 3-5/8" METAL FRAMING @ 16" O.C. - PAINT

CL-3 A.C.T. - REF. REFLECTED CLG. PLAN

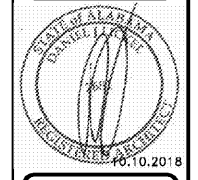
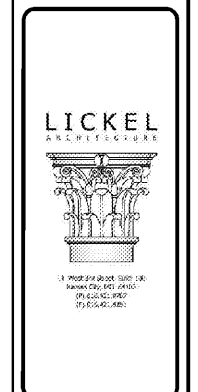
111'-1 1/2"

DATE: 10/10/18
JOB NO: 1845
DRAWING: FS
CHECKED: DL

MISC. DETAILS



PIZZA HUT #1845
5229 US HWY 231
WETUMPKA, ALABAMA



SHEET NUMBER
A11.2