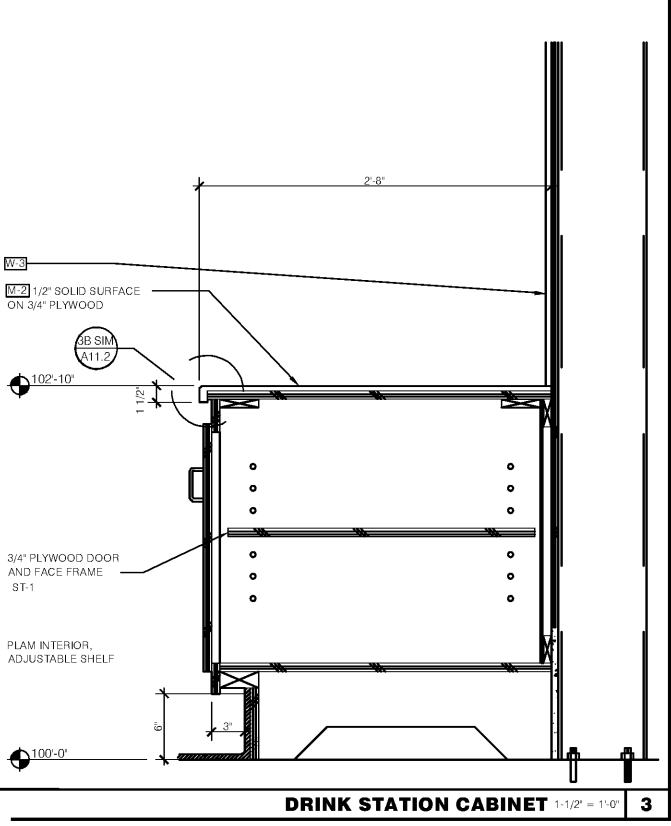
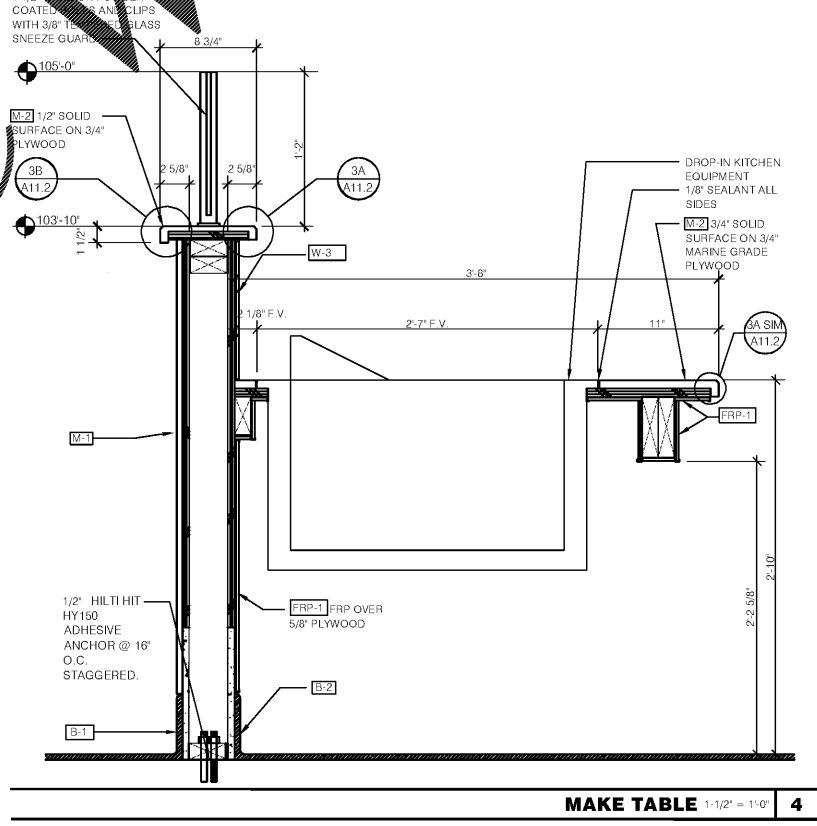
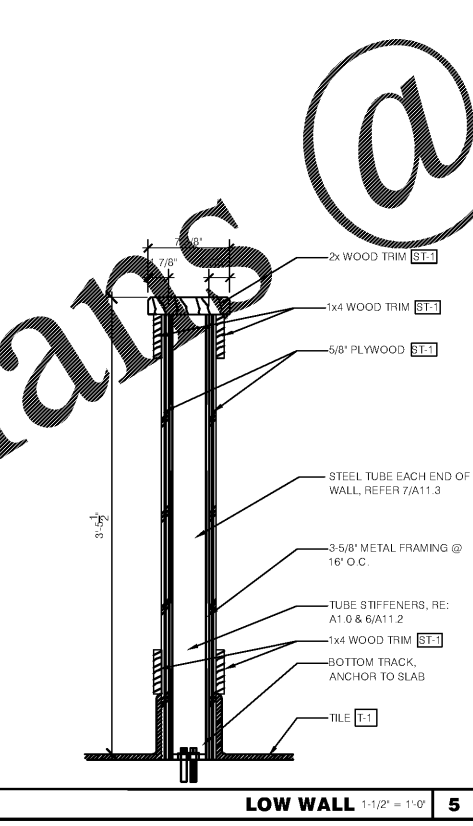
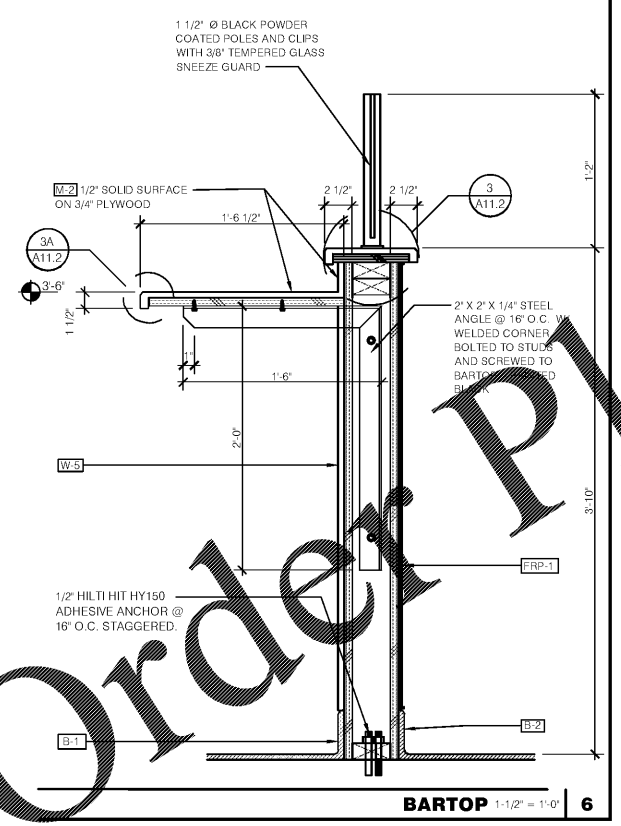


WWW.LDILine.com

NOT USED 2

NOT USED 1

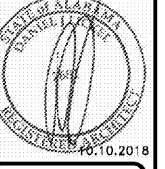


DATE: 10/10/18  
JOB NO: 1845  
DRAWING: FS  
CHECKED: DL

MISC. DETAILS



PIZZA HUT #1845  
5229 US HWY 231  
WETUMPKA, ALABAMA



REVISIONS:

SHEET NUMBER  
**A11.1**