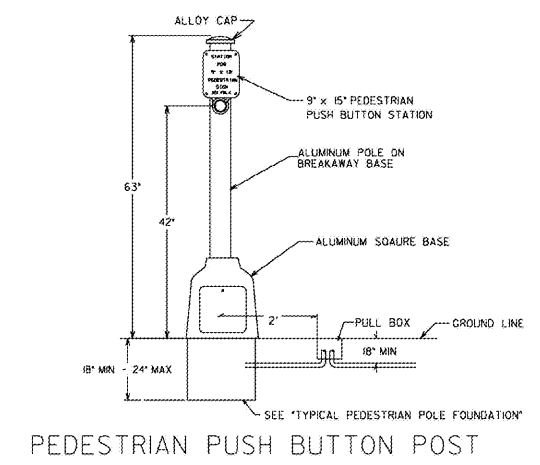
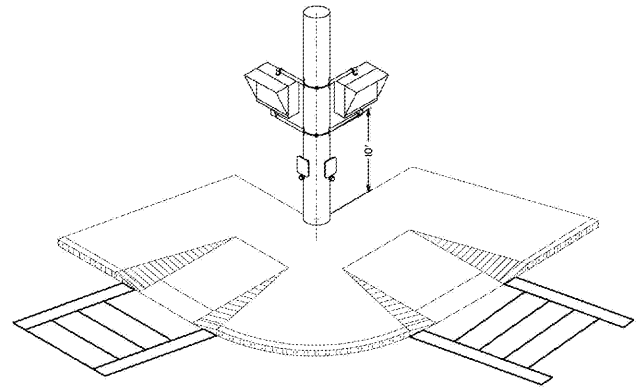


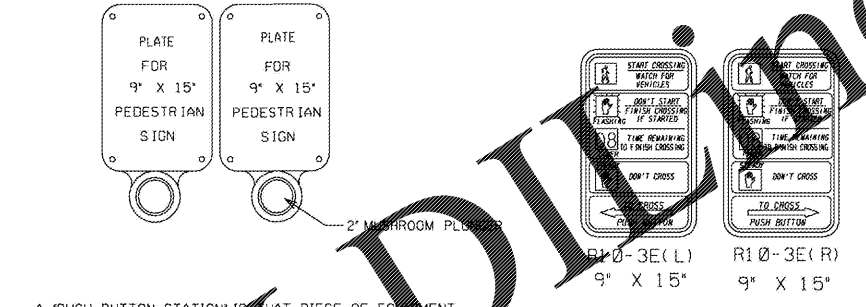
STATE	COUNTY	PROJECT NUMBER	SHEET NO.	TOTAL SHEETS
GA.				



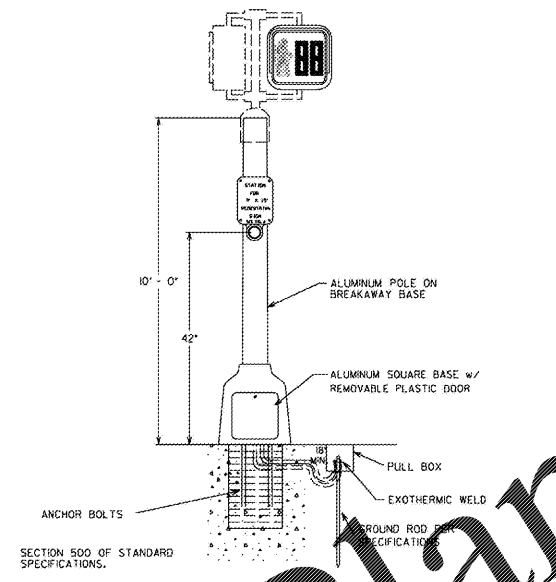
PEDESTRIAN PUSH BUTTON POST



PEDESTRIAN SIGNAL HEAD ORIENTATION FOR SIDE OF POLE MOUNTING

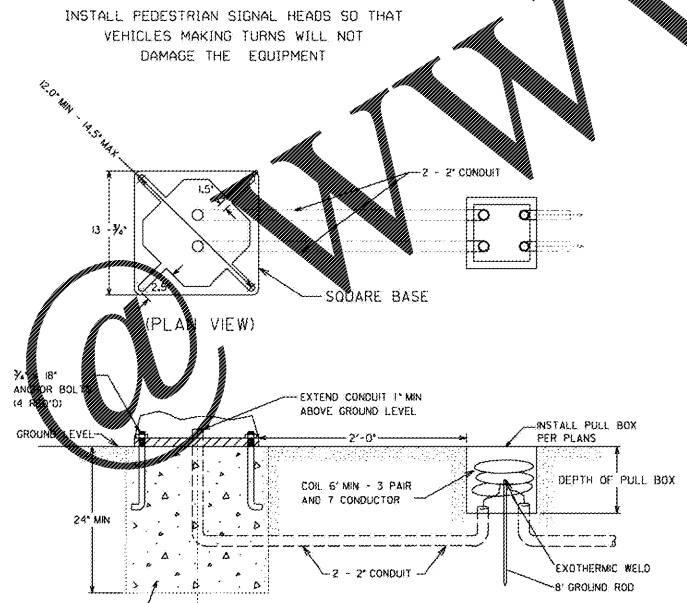


PEDESTRIAN PUSH BUTTON STATION PEDESTRIAN SIGNS



DETAIL FOR PEDESTRIAN SIGNAL POLES

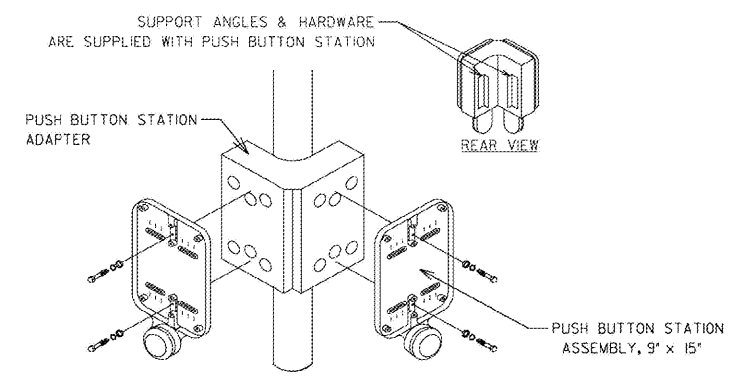
NOTE:  
 DETAILS SHOWN IS FOR TOP MOUNTING ASSEMBLY ON 10 FEET PEDESTRIAN POLE.  
 A CLAMHELL MOUNTING ASSEMBLY (NOT SHOWN) MAY BE USED AS APPROVED BY THE DEPARTMENT.  
 THE CLAMHELL MOUNTING HARDWARE ASSEMBLY SHALL MEET THE SAME GDOT STANDARDS AS THE PEDESTRIAN SIGNAL MOUNTING IN PAINT AND MATERIAL.



TYPICAL PEDESTRIAN POLE FOUNDATION

CLASS A CONCRETE PER SECTION 500 OF STANDARD SPECIFICATIONS

*Guidelines For Usage On Metric Projects*  
 When these details are incorporated into plans and or projects that are being prepared or constructed in metric units, exact or precise conversion to metric units is not required. The dimensions shown that are in feet and inches may be converted to corresponding metric units using the following "Rounded-Off" conversion factors: 1" = 25mm, 4" = 100mm, and 12" or 1' = 300mm. All measurement notes that refer to linear feet and square yards shall be interpreted to mean linear meters and square meters.



DOUBLE PUSH BUTTON STATION ADAPTER FOR 4" DIA. PEDESTRIAN POLE

REV. BY:	REVISION DESCRIPTION	DATE	DETAIL NUMBER

DEPARTMENT OF TRANSPORTATION  
 STATE OF GEORGIA

TRAFFIC SIGNAL DETAIL  
 PEDESTRIAN FACILITIES  
 INSTALLATION DETAILS

APRIL 2010

TS-03A



ACCESS IMPROVEMENTS / SIGNAL DESIGN  
 FOR  
 RACETRAC PETROLEUM INC  
 3225 Cumberland Blvd, Suite 100  
 Atlanta, GA 30339

LOCATED IN LAND LOT 390, 4TH DISTRICT, 3RD SECTION, BARTOW COUNTY, GEORGIA

REV.	DATE	REVISION DESCRIPTION

THIS DRAWING MUST BE USED IN CONJUNCTION WITH THE APPLICABLE OR GOVERNING TECHNICAL SPECIFICATIONS AND OTHER CONTRACT DOCUMENTS.

PROJECT NO: EGXL0300  
 DATE: 07-23-2018  
 DWG NAME: SIGNALING RACETRAC CANTERVILLE 09-25-18.DWG  
 DRAWN: KRW CHECKED: GKW SCALE: 1" = 30'

SHEET TITLE  
 DETAILS

SHEET D12

CREATED: 9/25/2018 LAST SAVED: 9/28/2018 BY: WAHR, GEOFFREY PLOT DATE: 9/28/2018

Order Plans @ WWW.LDLINE.COM