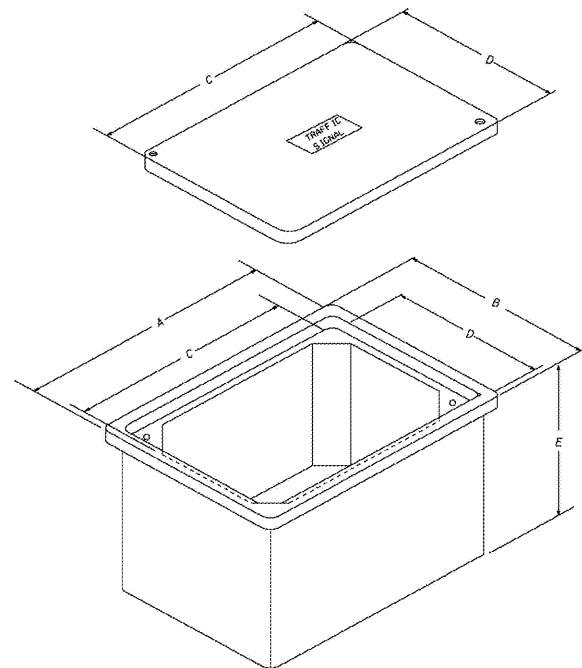


**PULLBOX TYPES
1, 2 AND 3**



| PULL BOX TYPE | * SIZE (IN.) | | | | |
|---------------|--------------|----|----|----|----|
| | A | B | C | D | E |
| 1 | 14 | 14 | 12 | 12 | 12 |
| 2 | 21 | 14 | 18 | 11 | 12 |
| 3 | 33 | 20 | 30 | 17 | 12 |
| 4S | 38 | 26 | 36 | 24 | 18 |
| 4 | 38 | 26 | 36 | 24 | 36 |
| 5S | 50 | 32 | 48 | 30 | 18 |
| 5 | 50 | 32 | 48 | 30 | 36 |
| 6 | 38 | 26 | 36 | 24 | 36 |
| 7 | 50 | 32 | 48 | 30 | 36 |

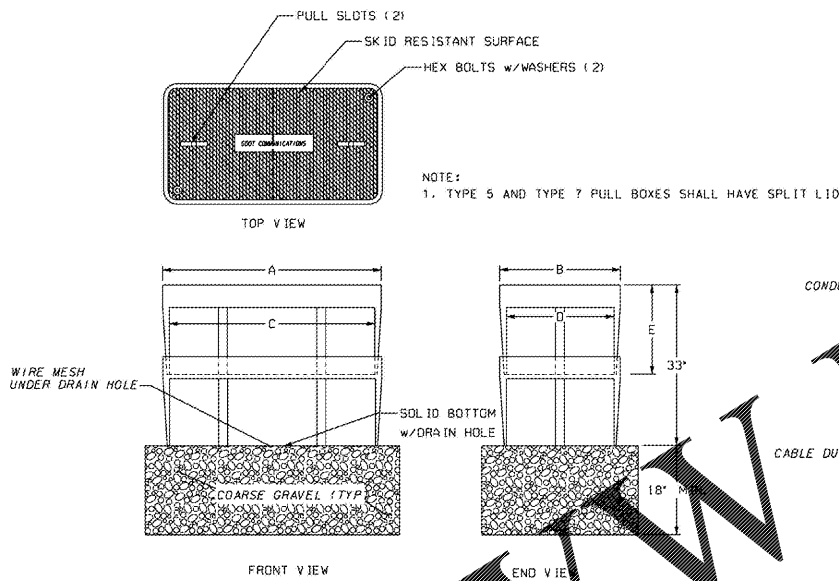
NOTES:

- SIZES SHOWN ARE MINIMUM TRADE SIZES.
- DIMENSIONS *C* AND *D* ARE MINIMUM REQUIREMENTS WITH A TOLERANCE OF NO MORE THAN 1/64 (0.0156) IN.
- EXTEND COARSE GRAVEL 6" BEYOND BASE OF PULL BOX.
- PULL BOXES TYPE 4, 4S, 5S, & 7 SHALL HAVE 1" (DEGREE) FLARES FOR MINIMUM STRENGTH.
- DESIGN PULL BOXES TO MEET OR EXCEED THE WATER LOADING SET FORTH IN SPECIFICATIONS 647.

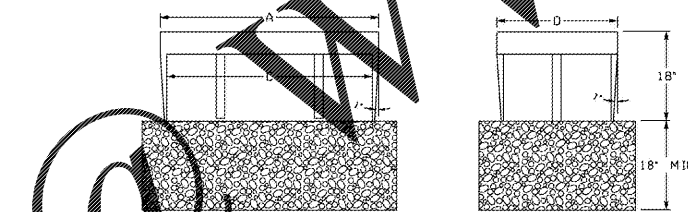
Guidelines For Use On Metric Projects

When these details are incorporated into plans on projects that are being prepared or constructed in metric units, exact or precise conversion to metric units is not required. The dimensions shown are in inches and may be converted to corresponding metric units using the following "round off" conversion factors: *25mm, 4"=100mm or 1' = 300mm. All measurement notes that refer to linear feet and square yards shall be interpreted to mean linear meters and square meters.

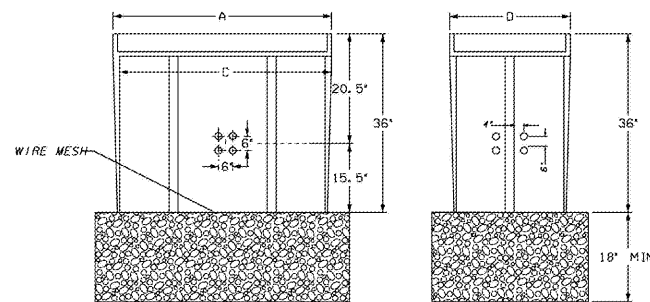
TYPE 4, 5, 4S, 5S, 6, AND 7 PULLBOX ASSEMBLIES



TYPE 4 AND 5 STACKED ASSEMBLY

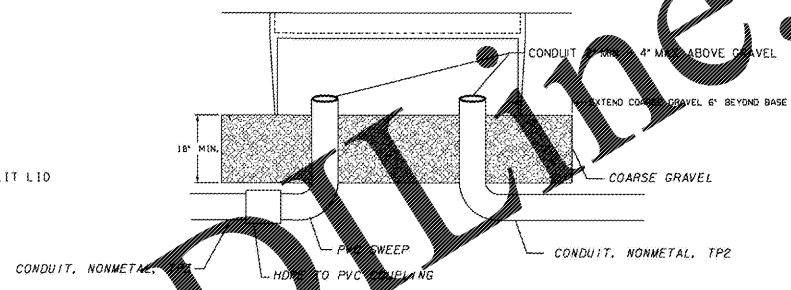


TYPE 4S AND 5S

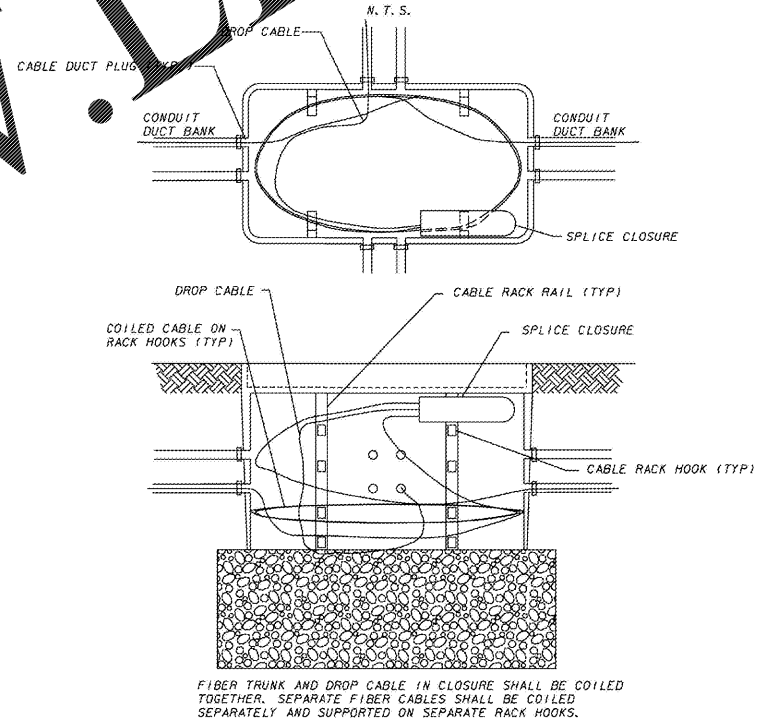


TYPE 6 AND 7

**TYPICAL CONDUIT ENTRANCE DETAILS
TYPE 1, 2, 3, 4S & 5S**



FIBER OPTIC CABLE MANAGEMENT IN TYPE 4, 5, 6 & 7 PULL BOX



| | | | |
|----------|--|--|--|
| DATE | | DEPARTMENT OF TRANSPORTATION STATE OF GEORGIA | |
| REVISION | | TRAFFIC SIGNAL DETAIL | |
| BY | | PULLBOX ASSEMBLY AND INSTALLATION | |
| | | APRIL 2010 | |
| | | DETAIL NUMBER TS-02 | |

CREATED: 9/25/08 LAST SAVED: 9/28/2018 BY: WARR, GEOFFREY PLOT DATE: 9/28/2018

Order Plans @ WWW.LDOnline.com

| STATE | COUNTY | PROJECT NUMBER | SHEET NO. | TOTAL SHEETS |
|-------|--------|----------------|-----------|--------------|
| GA. | | | | |



ACCESS IMPROVEMENTS / SIGNAL DESIGN
FOR
RACETRAC PETROLEUM INC
3225 Cumberland Blvd, Suite 100
Atlanta, GA 30339

LOCATED IN LAND LOT 390, 4TH DISTRICT, 3RD SECTION, BARTOW COUNTY, GEORGIA

| REV. | DATE | REVISION DESCRIPTION |
|------|------|----------------------|
| | | |
| | | |

THIS LINE IS ONE INCH LONG WHEN PLOTTED FULL SCALE.
THIS DRAWING MUST BE USED IN CONJUNCTION WITH THE APPLICABLE OR GOVERNING TECHNICAL SPECIFICATIONS AND OTHER CONTRACT DOCUMENTS.
PROJECT NO: EGXL0300
DATE: 07-23-2018
DWG NAME: SIGNAL RACETRAC CARTERSVILLE 09-25-18-0300
DRAWN: KRW
CHECKED: GKW
SCALE: 1" = 30'

SHEET TITLE
DETAILS
SHEET D10