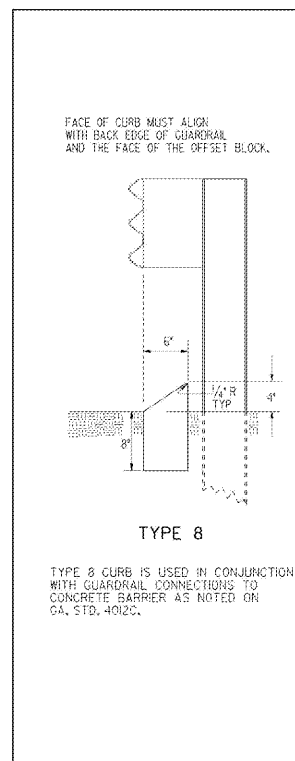
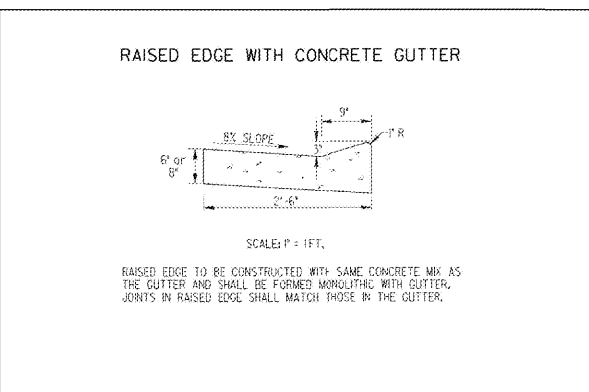


CREATED: 9/25/2018 LAST SAVED: 9/28/2018 BY: WARR, GEOFFREY PLOT DATE: 9/28/2018

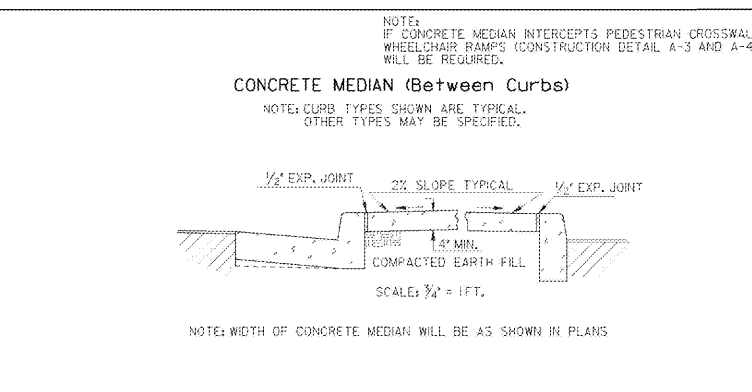
12/12/2017 9:04:54 AM ... 12/12/2017 9:04:54 AM ...



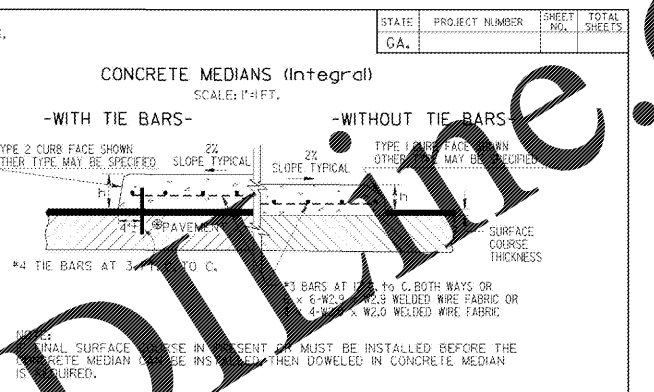
TYPE 8
TYPE 8 CURB IS USED IN CONJUNCTION WITH GUARRAIL CONNECTED TO CONCRETE BARRIER AS NOTED ON GA. STD. 402C.



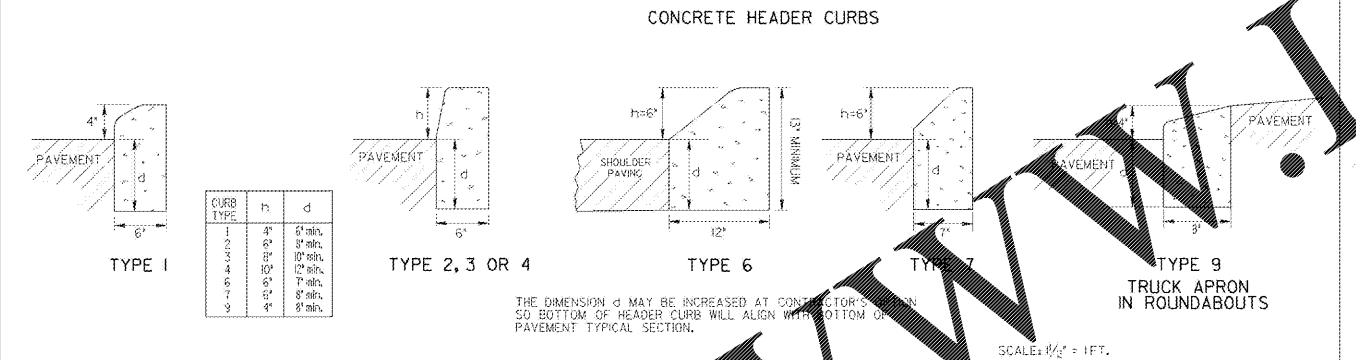
RAISED EDGE WITH CONCRETE GUTTER



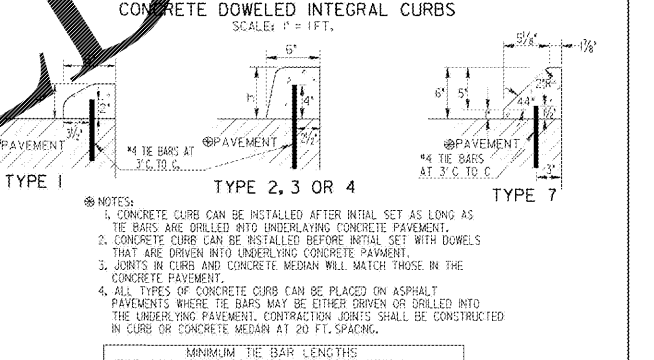
CONCRETE MEDIAN (Between Curbs)



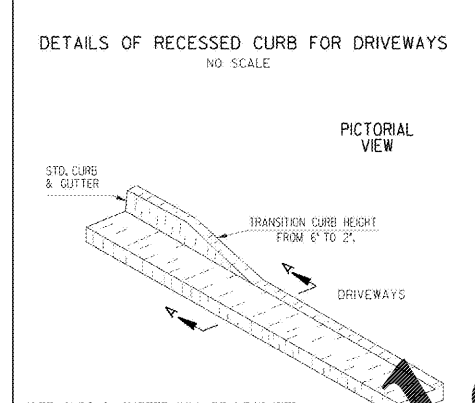
CONCRETE MEDIANS (Integral)



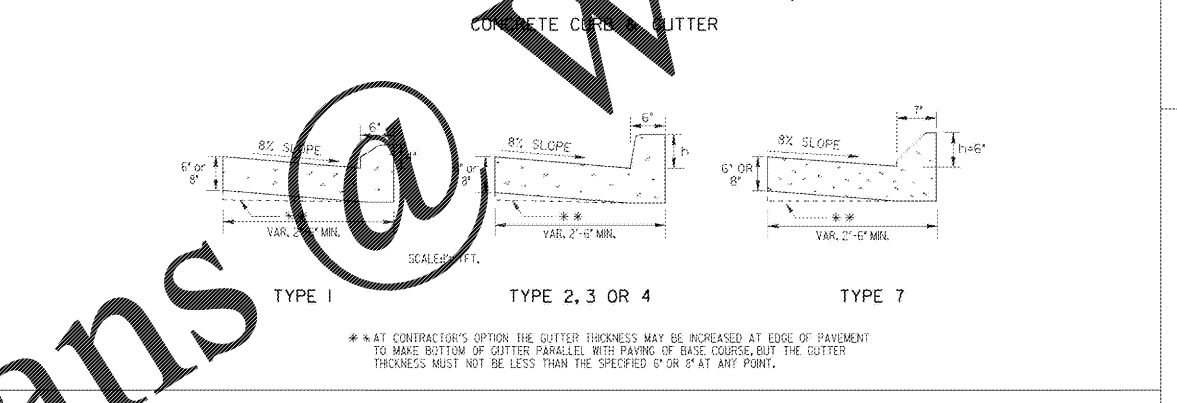
CONCRETE HEADER CURBS



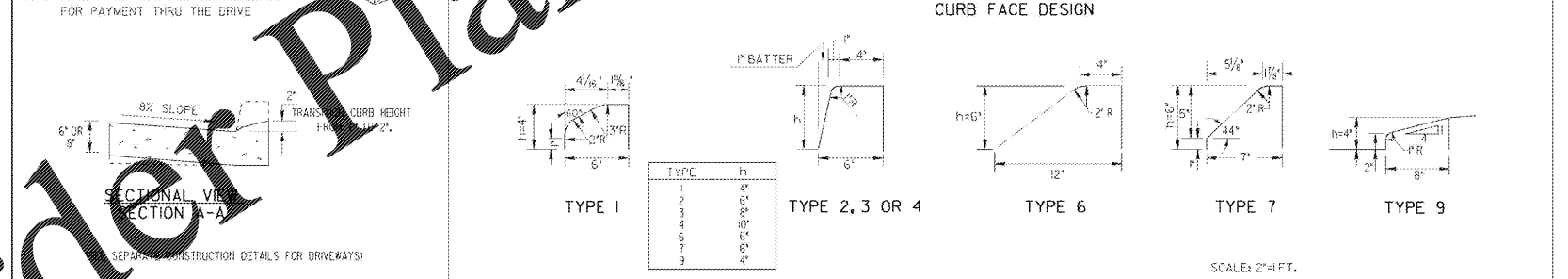
CONCRETE DOWELED INTEGRAL CURBS



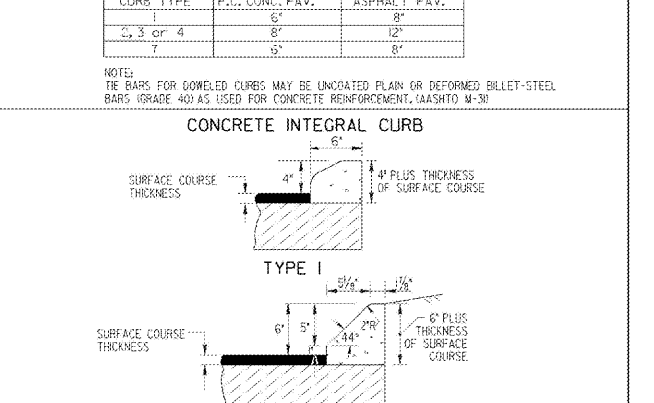
DETAILS OF RECESSED CURB FOR DRIVEWAYS



CONCRETE CURB & GUTTER



CURB FACE DESIGN



CONCRETE INTEGRAL CURB

DEPARTMENT OF TRANSPORTATION STATE OF GEORGIA STANDARD CONCRETE CURB & GUTTER CONCRETE CURBS, CONCRETE MEDIANS. Includes a revision table and project information.

JACOBS logo and project information: ACCESS IMPROVEMENTS / SIGNAL DESIGN FOR RACETRAC PETROLEUM INC, 3225 Cumberland Blvd, Suite 100, Atlanta, GA 30339. Includes drawing title 'DETAILS' and sheet number 'D1'.

Order Plans @ WWW.WLDLINE.COM