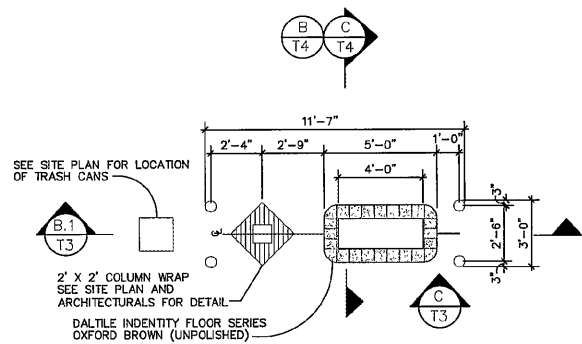
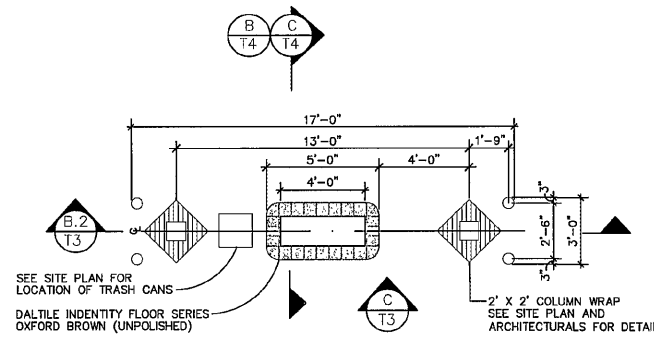


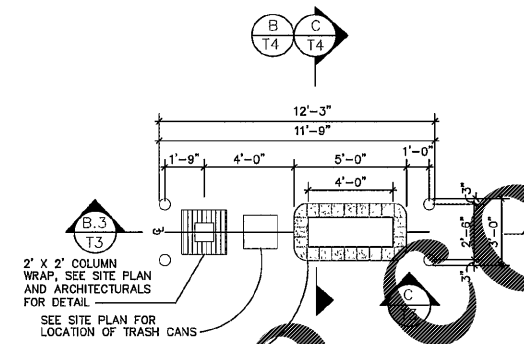
**A** PUMP ISLAND DETAIL  
 T3 1. SEE SITE PLAN FOR SPECIFIC ISLAND LAYOUT(S) N.T.S.



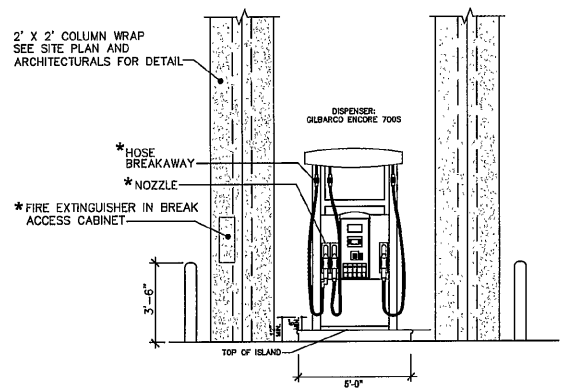
**A.1** TYPICAL PUMP ISLAND DETAIL  
 T3 1. SEE SITE PLAN FOR SPECIFIC ISLAND LAYOUT(S) N.T.S.



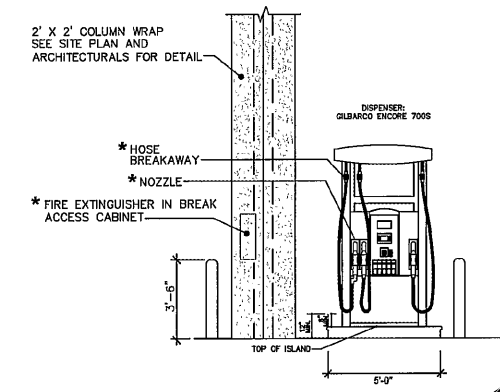
**A.2** PUMP ISLAND DETAIL  
 T3 1. SEE SITE PLAN FOR SPECIFIC ISLAND LAYOUT(S) N.T.S.



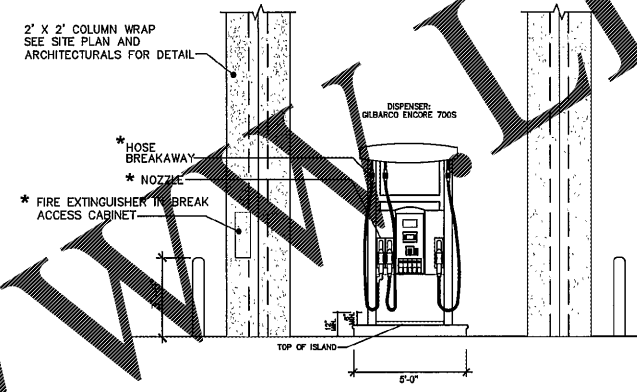
**A.3** TYPICAL PUMP ISLAND DETAIL  
 T3 1. SEE SITE PLAN FOR SPECIFIC ISLAND LAYOUT(S) N.T.S.



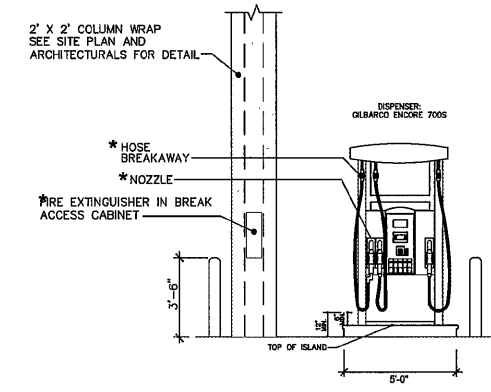
**B** PUMP ISLAND ELEVATION  
 T3 GILBARCO ENCORE DISPENSER N.T.S.



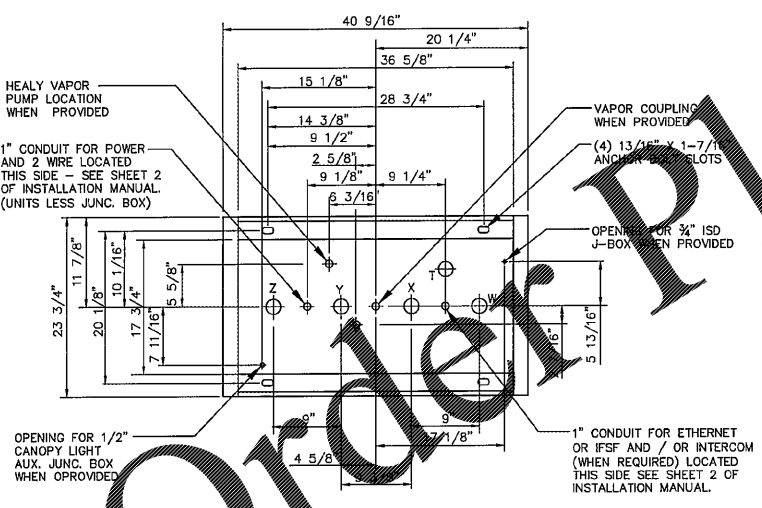
**B.1** PUMP ISLAND ELEVATION  
 T3 GILBARCO ENCORE DISPENSER N.T.S.



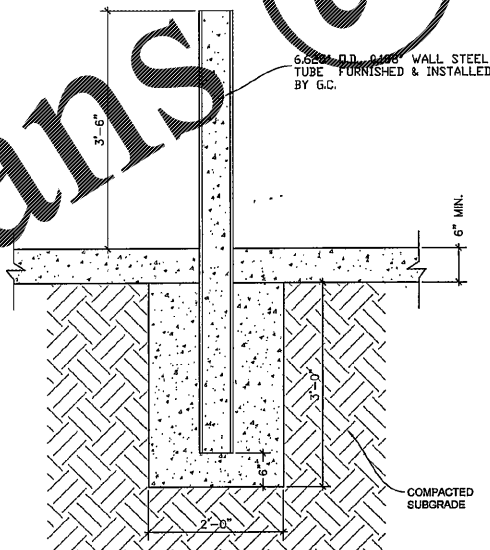
**B.2** PUMP ISLAND ELEVATION  
 T3 GILBARCO ENCORE DISPENSER N.T.S.



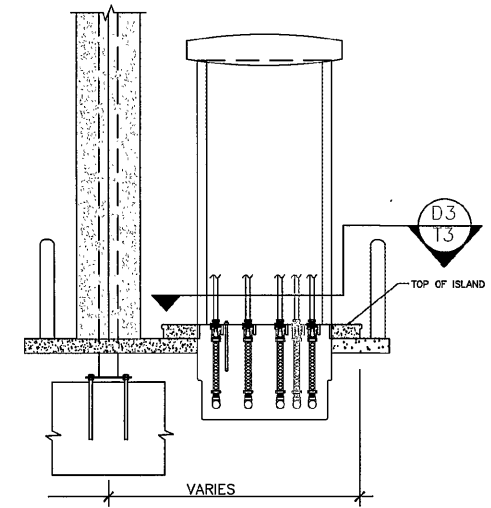
**B.3** PUMP ISLAND ELEVATION  
 T3 GILBARCO ENCORE DISPENSER N.T.S.



**D** TYP. DISPENSER BASE DIAGRAM  
 T3 GILBARCO ENCORE 700 DISPENSER (3+1+1) N.T.S.



**D.5** PROTECTIVE BOLLARD DETAIL  
 T3 N.T.S.



**C** TYP. PUMP ISLAND SECTION  
 T3 N.T.S.

- \* NOTES:**
- FUEL NOZZLES TO BE UL LISTED, SEE SPECIFICATION SHEET T-4.
  - FUEL HOSE BREAKAWAYS TO BE UL LISTED, SEE SPECIFICATION SHEET T-4.
  - SHEAR VALVE TO BE RIGIDLY ANCHORED, SEE SPECIFICATION SHEET T-4.
  - FACILITY SHALL BE PROVIDED WITH NFPA 30A, 9.2.5.2/NFPA 10 HIGH FLOW FIRE EXTINGUISHER: AMEREX MODEL NO. 760, 4A:60B:C, 20 LB CAPACITY, OR EQUAL, WITHIN 100 FT OF ALL DISPENSING PUMPS & FILL PIPE OPENINGS.

ISSUE/REVISION RECORD	DESCRIPTION
DATE	

**Racetrac**  
 RACETRAC PETROLEUM, INC.  
 8226 CUMBERLAND BOULEVARD  
 SUITE 100  
 ATLANTA, GEORGIA 30339  
 (770) 481-7600

PROJECT NAME  
**EAST MAIN ST.**

CARTERVILLE  
 GEORGIA  
 1325 E. MAIN ST.

RACETRAC PROJECT NUMBER  
**1310**

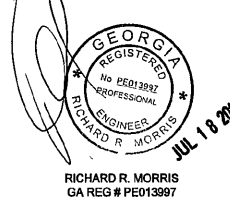
PLAN SERIES  
**2011 BR-RH-M90 0801**

PLAN MODIFICATION NOTICE

NO MODIFICATIONS APPLIED  
 MODIFICATIONS APPLY

STANDARD PLAN BULLETINS (SPB) MODIFY THE PLAN SERIES SET NOTED ABOVE. THE SPB GIVEN ABOVE REPRESENTS THE LATEST MODIFICATION INCORPORATED TO THIS PLAN SERIES SET. CONTACT RACETRAC ENGINEERING AND CONSTRUCTION FOR ALL BULLETINS.

PROFESSIONAL SEAL



PROJECT NUMBER  
**18154**

SHEET TITLE  
**ISLAND DETAILS**

SHEET NUMBER  
**RT-T3.0**

ISSUED FOR CONSTRUCTION