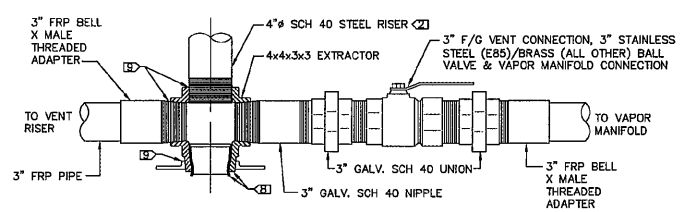
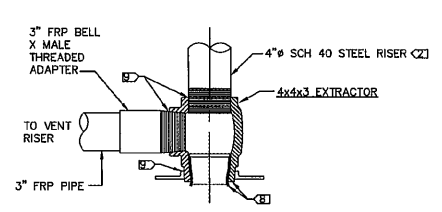


AUDIBLE OVERFILL ALARM TO BE SET AT 90% TANK CAPACITY

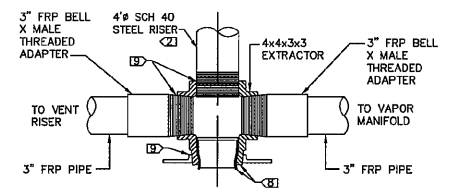
TANK OVERFILL PREVENTION ALARM & TANK LEVEL MONITOR
A T2 N.T.S.



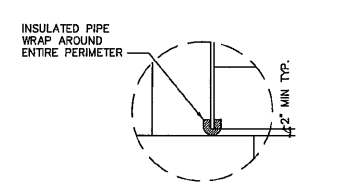
B1 VAPOR CROSS CONNECTOR
T2 N.T.S.



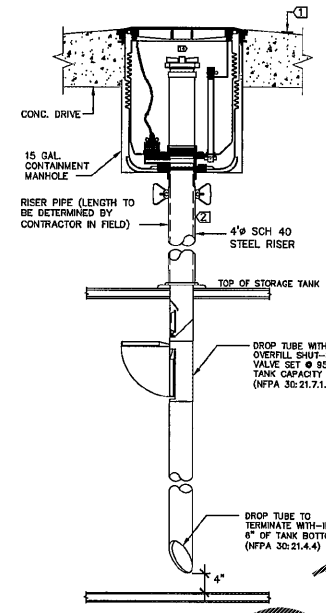
B3 VAPOR CROSS CONNECTOR
T2 N.T.S.



B4 VAPOR CROSS CONNECTOR
T2 N.T.S.

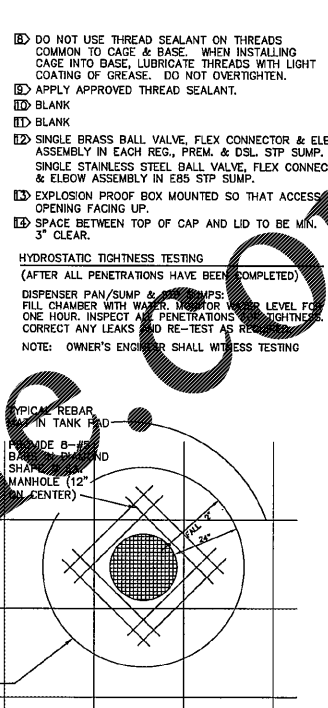


F MH EDGE WRAP DETAIL
T2 N.T.S.

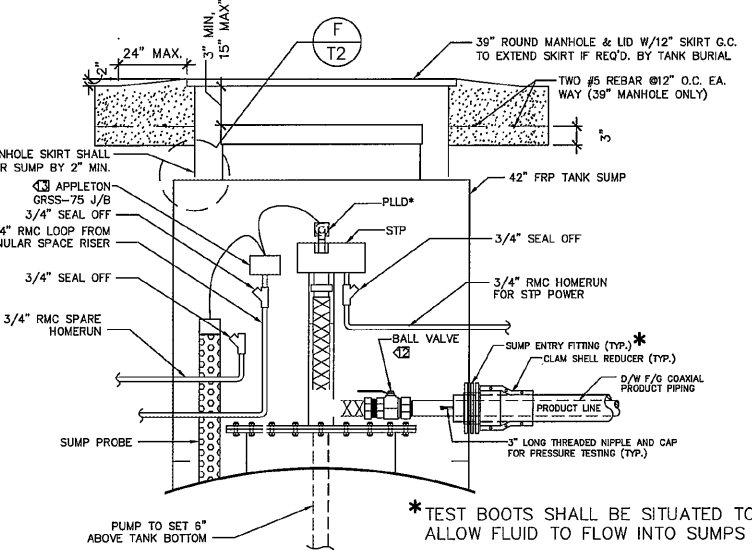


D/W 15 GAL. SPILL CONTAINMENT & O/F PREVENTION VALVE
D T2

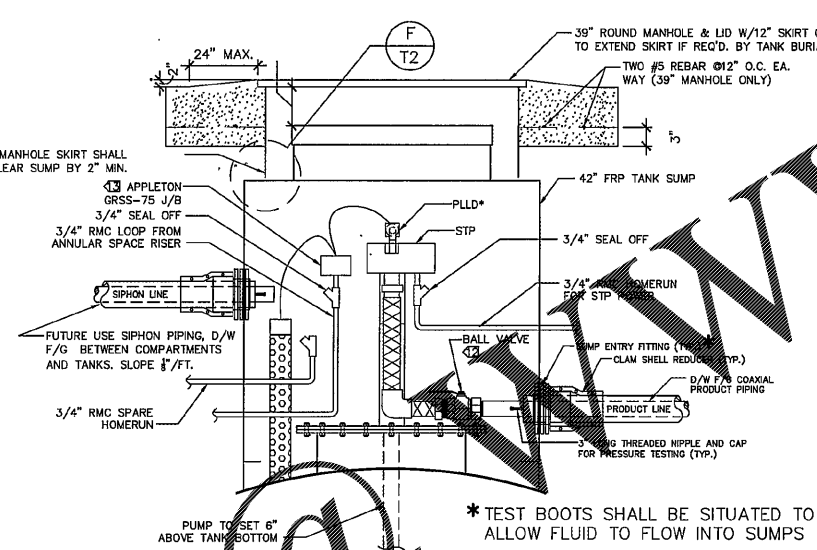
NOTES:
 1. INSTALL IDENTIFICATION MARKER.
 2. THOROUGHLY HAND CLEAN WITH WIRE BRUSH COMMON TO GAGE & BASE. WHEN INSTALLING GAGE INTO BASE, LUBRICATE THREADS WITH LIGHT COATING OF GREASE. DO NOT OVERTIGHTEN.
 3. APPLY APPROVED THREAD SEALANT.
 4. DO NOT USE THREAD SEALANT ON THREADS COMMON TO GAGE & BASE. WHEN INSTALLING GAGE INTO BASE, LUBRICATE THREADS WITH LIGHT COATING OF GREASE. DO NOT OVERTIGHTEN.
 5. DO NOT OVERTIGHTEN.
 6. DO NOT OVERTIGHTEN.
 7. DO NOT OVERTIGHTEN.
 8. DO NOT OVERTIGHTEN.
 9. DO NOT OVERTIGHTEN.
 10. DO NOT OVERTIGHTEN.
 11. DO NOT OVERTIGHTEN.
 12. DO NOT OVERTIGHTEN.
 13. DO NOT OVERTIGHTEN.
 14. DO NOT OVERTIGHTEN.
 15. DO NOT OVERTIGHTEN.
 16. DO NOT OVERTIGHTEN.
 17. DO NOT OVERTIGHTEN.
 18. DO NOT OVERTIGHTEN.
 19. DO NOT OVERTIGHTEN.
 20. DO NOT OVERTIGHTEN.
 21. DO NOT OVERTIGHTEN.
 22. DO NOT OVERTIGHTEN.
 23. DO NOT OVERTIGHTEN.
 24. DO NOT OVERTIGHTEN.
 25. DO NOT OVERTIGHTEN.
 26. DO NOT OVERTIGHTEN.
 27. DO NOT OVERTIGHTEN.
 28. DO NOT OVERTIGHTEN.
 29. DO NOT OVERTIGHTEN.
 30. DO NOT OVERTIGHTEN.
 31. DO NOT OVERTIGHTEN.
 32. DO NOT OVERTIGHTEN.
 33. DO NOT OVERTIGHTEN.
 34. DO NOT OVERTIGHTEN.
 35. DO NOT OVERTIGHTEN.
 36. DO NOT OVERTIGHTEN.
 37. DO NOT OVERTIGHTEN.
 38. DO NOT OVERTIGHTEN.
 39. DO NOT OVERTIGHTEN.
 40. DO NOT OVERTIGHTEN.
 41. DO NOT OVERTIGHTEN.
 42. DO NOT OVERTIGHTEN.
 43. DO NOT OVERTIGHTEN.
 44. DO NOT OVERTIGHTEN.
 45. DO NOT OVERTIGHTEN.
 46. DO NOT OVERTIGHTEN.
 47. DO NOT OVERTIGHTEN.
 48. DO NOT OVERTIGHTEN.
 49. DO NOT OVERTIGHTEN.
 50. DO NOT OVERTIGHTEN.
 51. DO NOT OVERTIGHTEN.
 52. DO NOT OVERTIGHTEN.
 53. DO NOT OVERTIGHTEN.
 54. DO NOT OVERTIGHTEN.
 55. DO NOT OVERTIGHTEN.
 56. DO NOT OVERTIGHTEN.
 57. DO NOT OVERTIGHTEN.
 58. DO NOT OVERTIGHTEN.
 59. DO NOT OVERTIGHTEN.
 60. DO NOT OVERTIGHTEN.
 61. DO NOT OVERTIGHTEN.
 62. DO NOT OVERTIGHTEN.
 63. DO NOT OVERTIGHTEN.
 64. DO NOT OVERTIGHTEN.
 65. DO NOT OVERTIGHTEN.
 66. DO NOT OVERTIGHTEN.
 67. DO NOT OVERTIGHTEN.
 68. DO NOT OVERTIGHTEN.
 69. DO NOT OVERTIGHTEN.
 70. DO NOT OVERTIGHTEN.
 71. DO NOT OVERTIGHTEN.
 72. DO NOT OVERTIGHTEN.
 73. DO NOT OVERTIGHTEN.
 74. DO NOT OVERTIGHTEN.
 75. DO NOT OVERTIGHTEN.
 76. DO NOT OVERTIGHTEN.
 77. DO NOT OVERTIGHTEN.
 78. DO NOT OVERTIGHTEN.
 79. DO NOT OVERTIGHTEN.
 80. DO NOT OVERTIGHTEN.
 81. DO NOT OVERTIGHTEN.
 82. DO NOT OVERTIGHTEN.
 83. DO NOT OVERTIGHTEN.
 84. DO NOT OVERTIGHTEN.
 85. DO NOT OVERTIGHTEN.
 86. DO NOT OVERTIGHTEN.
 87. DO NOT OVERTIGHTEN.
 88. DO NOT OVERTIGHTEN.
 89. DO NOT OVERTIGHTEN.
 90. DO NOT OVERTIGHTEN.
 91. DO NOT OVERTIGHTEN.
 92. DO NOT OVERTIGHTEN.
 93. DO NOT OVERTIGHTEN.
 94. DO NOT OVERTIGHTEN.
 95. DO NOT OVERTIGHTEN.
 96. DO NOT OVERTIGHTEN.
 97. DO NOT OVERTIGHTEN.
 98. DO NOT OVERTIGHTEN.
 99. DO NOT OVERTIGHTEN.
 100. DO NOT OVERTIGHTEN.



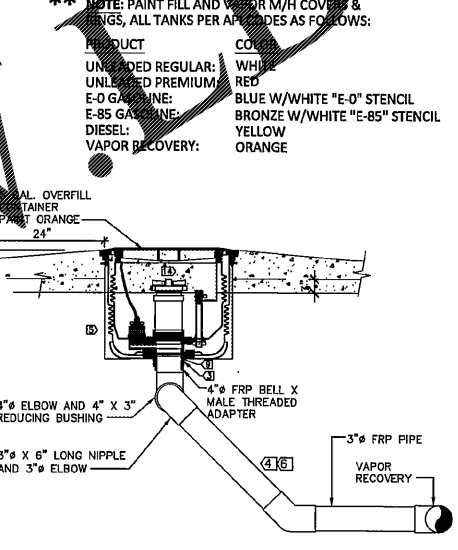
E TYPICAL MANHOLE PLAN
T2 N.T.S.



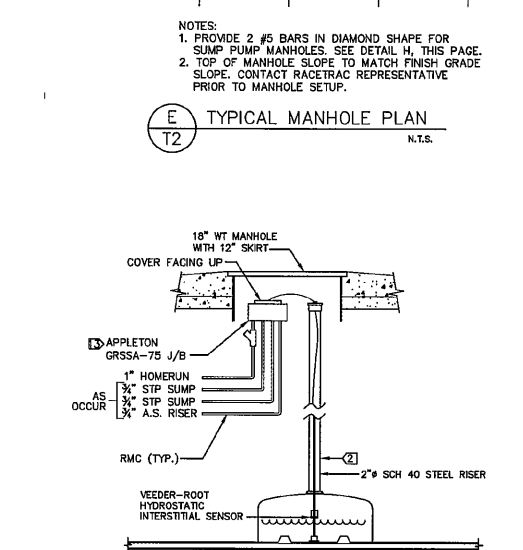
H1 SUBMERGED PUMP SUMP DETAIL (REG.)
T2 N.T.S.



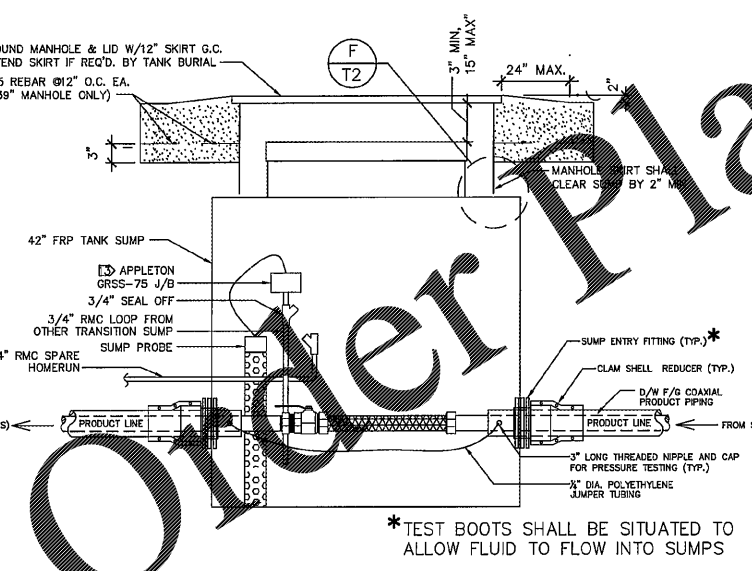
H2 SUBMERGED PUMP SUMP DETAIL (PREM, E85)
T2 N.T.S.



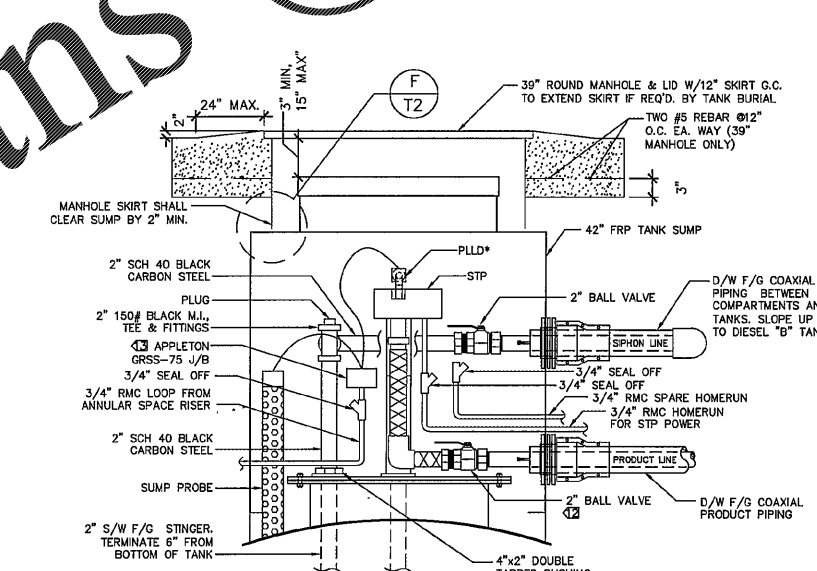
G1 STAGE I VAPOR RECOVERY
T2 N.T.S.



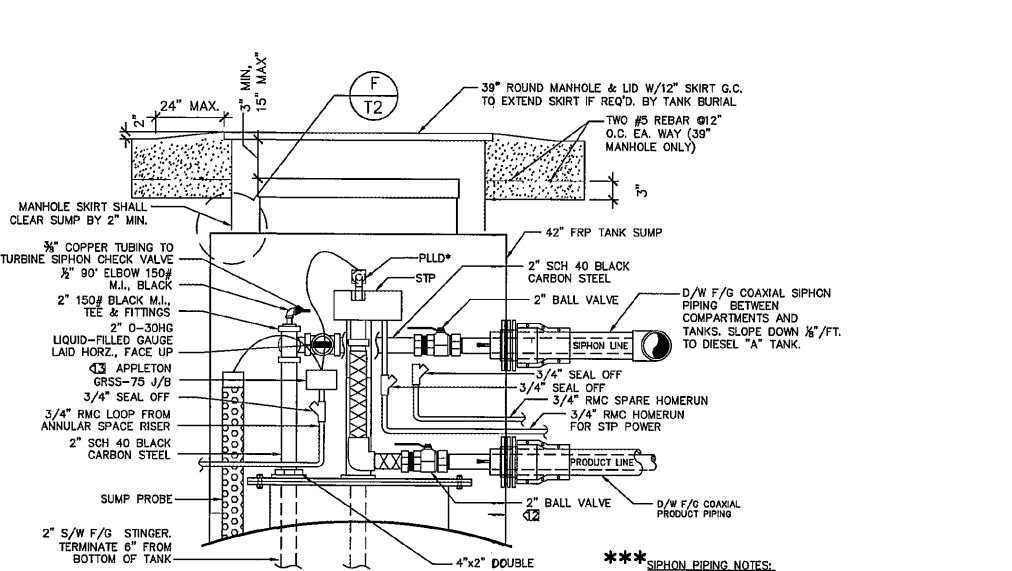
G4 UST INTERSTITIAL MONITOR
T2 N.T.S.



H3 TRANSITION SUMP DETAIL
T2 N.T.S.



H4 DIESEL "A" TANK SUBMERGED PUMP SUMP AND SIPHON PIPING DETAIL (DIES "A", DIES "B")
T2 N.T.S.



H4 DIESEL "B" TANK SUBMERGED PUMP SUMP AND SIPHON PIPING DETAIL (DIES "A", DIES "B")
T2 N.T.S.

*** SIPHON PIPING NOTES:
 1. 2" D/W F/G SIPHON PIPING SLOPED 1/8" PER FT. BETWEEN SUMPS.
 2. SIPHON PIPING INSTALLATION TO BE IN ACCORDANCE WITH API 1615, SECTION 9.2.4 OR CURRENT CODE.

Racetrac
 COPYRIGHT NOTICE
 THESE PLANS ARE SUBJECT TO FEDERAL COPYRIGHT LAWS: ANY USE OF SAME WITHOUT THE EXPRESS WRITTEN PERMISSION OF RACETRAC PETROLEUM, INC. IS PROHIBITED. 2011 RACETRAC PETROLEUM, INC.

ISSUE/REVISION	RECORD	DESCRIPTION
DATE		

Racetrac
 RACETRAC PETROLEUM, INC.
 8225 CUMBERLAND BOULEVARD
 SUITE 100
 ATLANTA, GEORGIA 30339
 (770) 481-7800

PROJECT NAME
EAST MAIN ST.

CARTERVILLE
 GEORGIA
 1325 E. MAIN ST.

RACETRAC PROJECT NUMBER
1310

PLAN SERIES
2011 BR-RH-M90 0801

PLAN MODIFICATION NOTICE
 NO MODIFICATIONS APPLIED
 MODIFICATIONS APPLY
 SPB NO. N/A DATE N/A

STANDARD PLAN BULLETINS (SPB) MODIFY THE PLAN SERIES SET NOTED ABOVE. THE SPB GIVEN ABOVE REPRESENTS THE LATEST MODIFICATION INCORPORATED TO THIS PLAN SERIES SET. CONTACT RACETRAC ENGINEERING AND CONSTRUCTION FOR ALL BULLETINS.

PROFESSIONAL SEAL

 RICHARD R. MORRIS
 GA REG # PE01397

PROJECT NUMBER
18154

SHEET TITLE
TANK & PIPING DETAILS
 SHEET NUMBER

RT-T2.0
 ISSUED FOR CONSTRUCTION