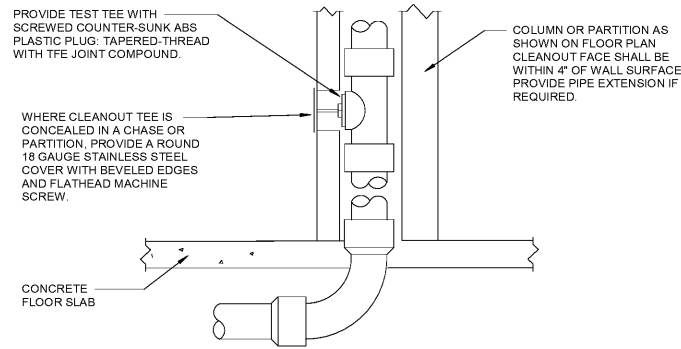
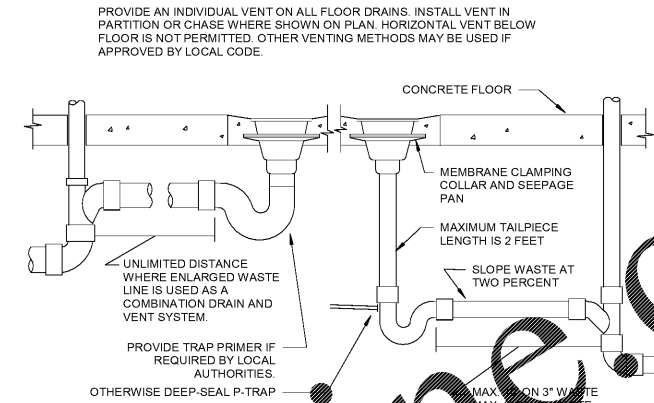


6 OVEN-STEAMER DRAIN DETAIL  
N.T.S.



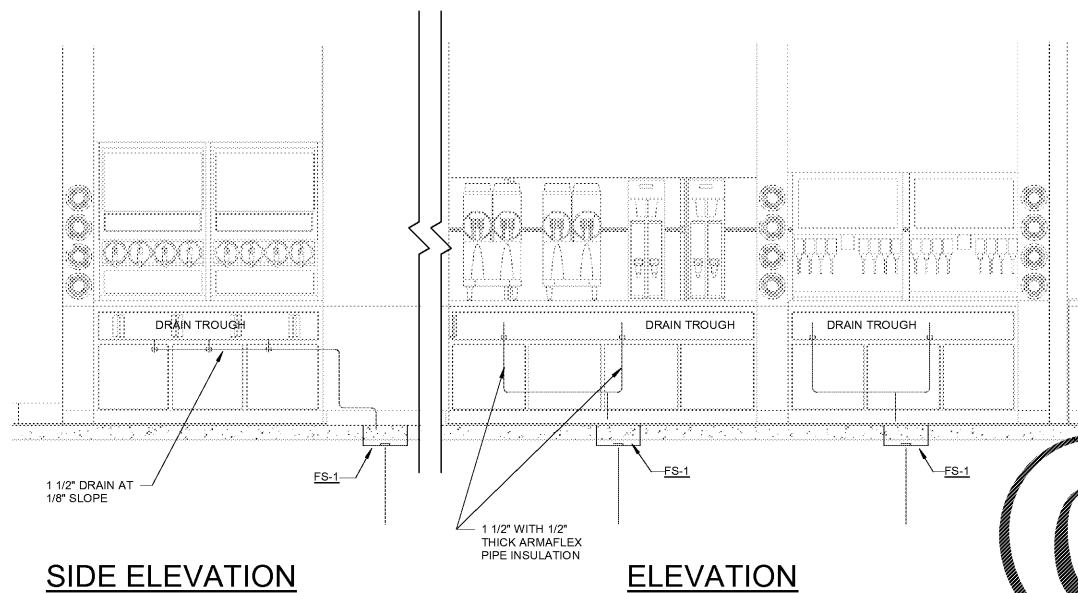
NOTE:  
PROVIDE WCO WHERE SHOWN ON PLAN, AND ON SANITARY WASTE BRANCHES NOT SERVED WITH A FLOOR CLEANOUT. LOCATE ABOVE FIXTURE FLOOD RIM WITHIN 4" OF FLOOR. CONSULT LOCAL CODES FOR OTHER WCO REQUIREMENTS.

5 WALL CLEANOUT DETAIL  
N.T.S.

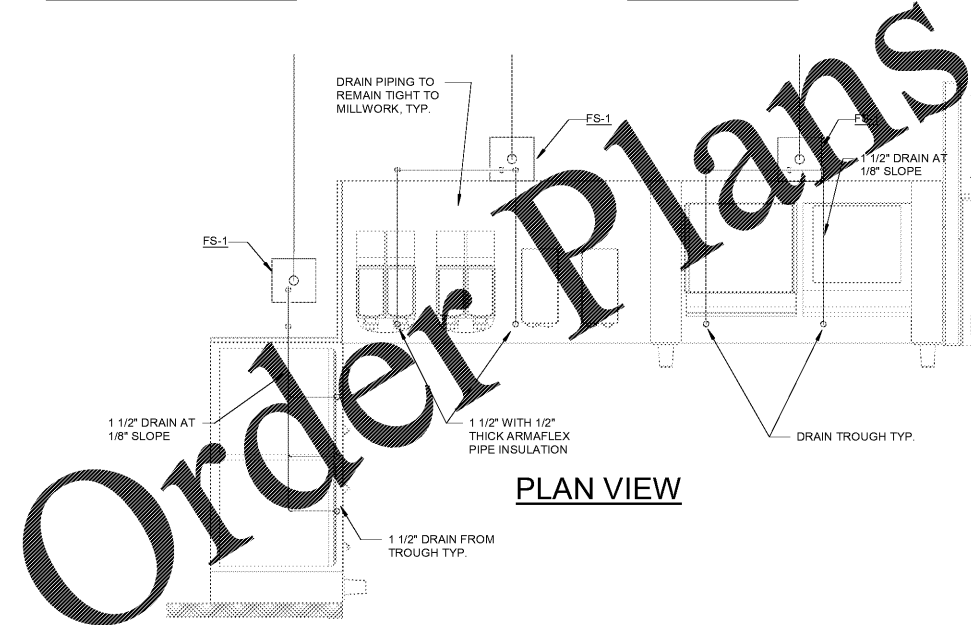


LOCATE FLOOR DRAINS WHERE SHOWN ON DIMENSIONS TO ARCHITECTURAL PLAN. IF FLOOR STRUCTURE INTERFERES WITH FLOOR DRAIN, MAKE SLOPE AS NEAR AS POSSIBLE, OTHERWISE MOVE BACK. ALWAYS LOCATE WHERE EASIEST ACCESSIBLE, BUT NOT IN FOOT TRAFFIC AREA. IF FINISH IS FLOOR SLAB OR GRADE, PROVIDE BACKFILL PER SPECIFICATIONS. IF CONCRETE FLOOR IS NOT SETTING, SET DRAIN IN PLACE AND POUR AROUND IT. IF CONCRETE FLOOR IS EXISTING, SAW CUT OR CORE DRILL IT. SET DRAIN IN PLACE AND POUR AROUND IT. RECESS TOP OF FLOOR DRAIN 1/2" BELOW FLOOR SURFACE TO SLOPE FLOOR TO IT.

4 FLOOR DRAIN DETAIL  
N.T.S.



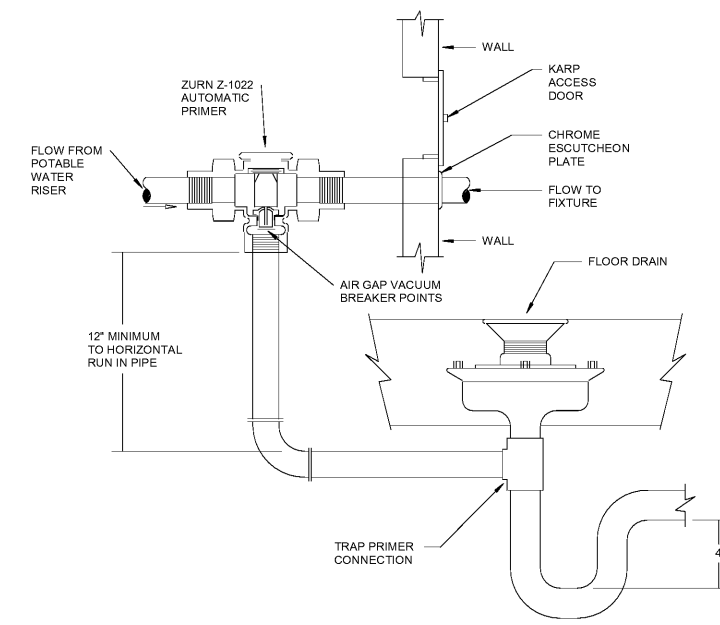
2 CABINETRY TROUGH DRAIN DETAIL  
N.T.S.



3 DRAW THRU UNIT CONDENSATE TRAP  
N.T.S.

- NOTES:
1. ALLOW SUFFICIENT SPACE BELOW DRAIN PAN FOR TRAP
  2. PITCH DRAIN FOR PROPER RUNOFF
  3. MANUALLY PRIME FILL TRAP BEFORE START-UP TO FORM INITIAL DRAIN SEAL
  4. SUPPORT LENGTHY DRAIN LINES TO PREVENT SAG AND CONDENSATE OVERFLOW.
- (a) THIS DIMENSION IN INCHES MUST BE EQUAL TO THE MAXIMUM FAN SUCTION (NEGATIVE) STATIC PRESSURE IN INCHES WG (WITH DIRTY FILTERS, COILS, AND MAXIMUM AIR FLOW) + 1" W.G.
- (b) THIS DIMENSION IN INCHES MUST BE EQUAL TO MIN. 1/2 OF THE (a) ABOVE
- (c) EQUALS (a) + (b) + PIPE DIA. + INSULATION

THIS STANDARD DETAIL MUST BE REVIEWED AND SITE ADAPTED BY CONTRACTOR PRIOR TO USE FOR FINAL EQUIPMENT.



1 TRAP PRIMER DETAIL  
N.T.S.

| ISSUE/REVISION RECORD |                   |
|-----------------------|-------------------|
| DATE                  | DESCRIPTION       |
| 08/21/18              | ISSUED FOR PERMIT |