

ISSUE/REVISION RECORD

DATE	DESCRIPTION
08/21/18	ISSUED FOR PERMIT

PROJECT NAME
EAST MAIN STREET

CARTERSVILLE GEORGIA
 1325 E. MAIN ST.
 CARTERSVILLE, GA 30121

RACETRAC STORE NUMBER
1310

PROTOTYPE SERIES 5.5K 2.0
2018 RH MO

PLAN MODIFICATION NOTICE

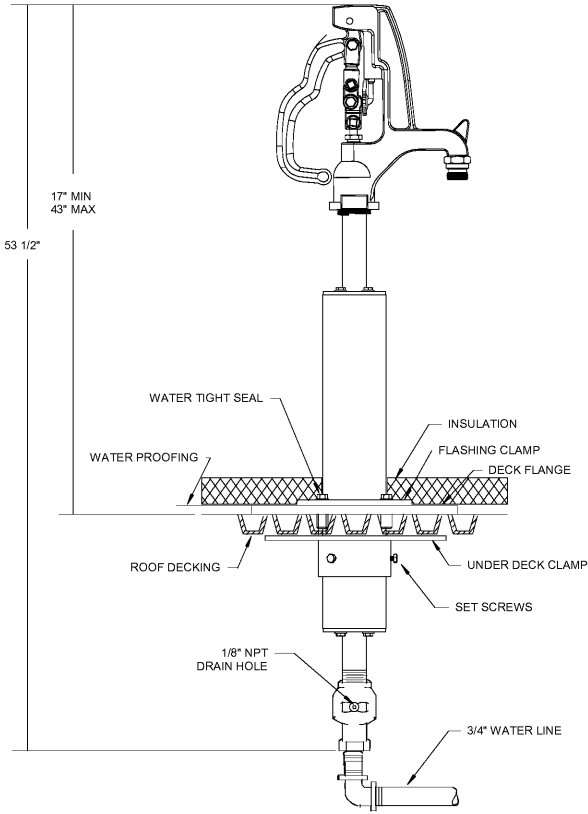
SPB NO.	DATE
STANDARD PLAN BULLETINS (SPB) MODIFY THE PROTOTYPE SERIES SET NOTED ABOVE. THE LISTED SPB REPRESENTS THE LATEST MODIFICATION INCORPORATED TO THIS PROTOTYPE SERIES SET AT ORIGINAL RELEASE. THE ISSUE/REVISION RECORD COLUMN ABOVE LISTS ANY REVISIONS OR SPB INCORPORATED IN THIS SET AFTER THE ORIGINAL RELEASE. CONTACT RACETRAC ENGINEERING AND CONSTRUCTION FOR ANY SUBSEQUENT BULLETINS NOT INCORPORATED HEREIN.	



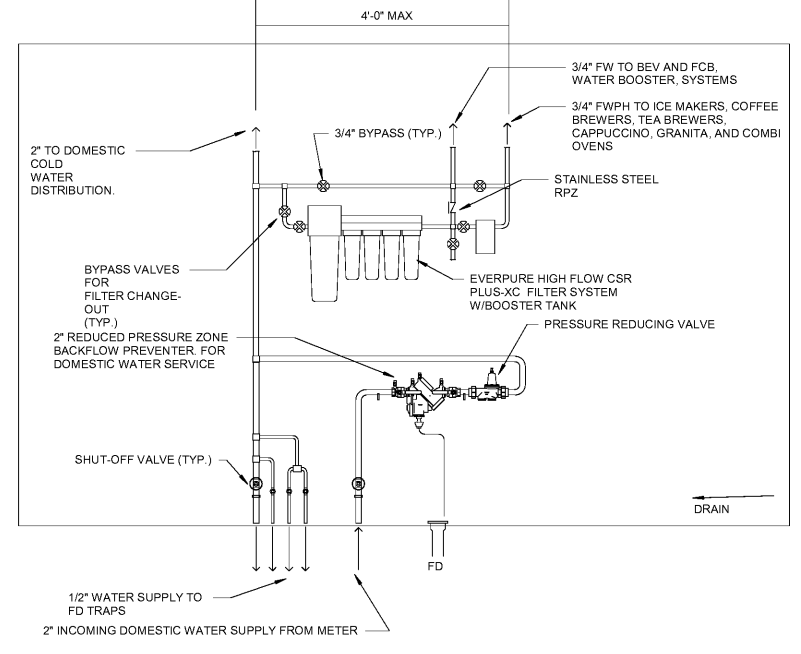
08/21/18
PROJECT NUMBER
 18.714.00

SHEET TITLE
PLUMBING DETAILS

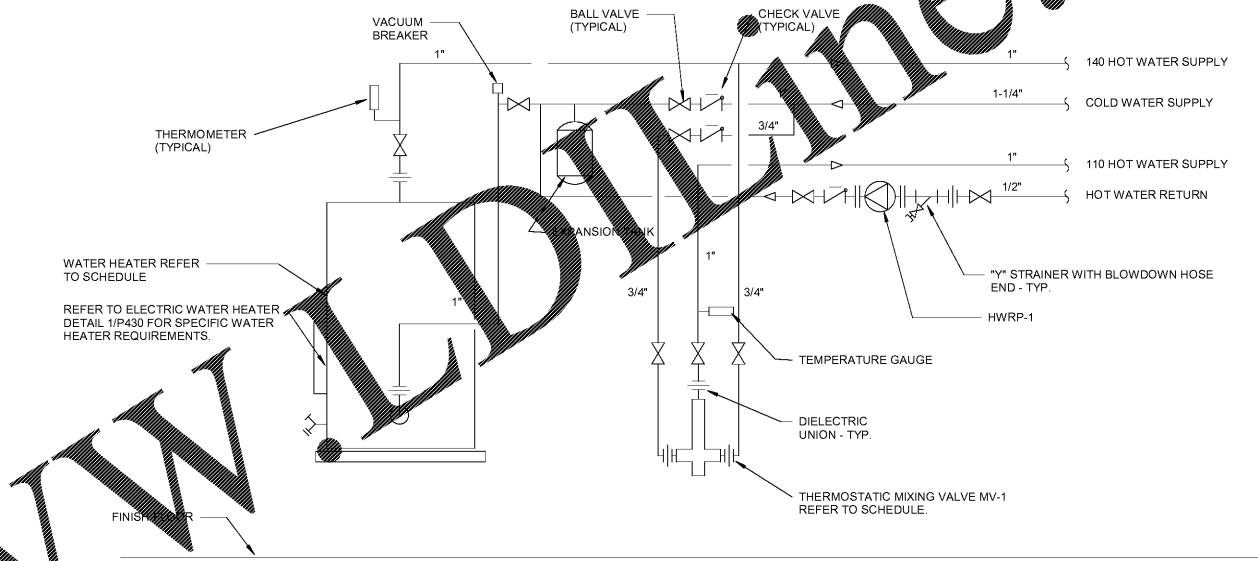
SHEET NUMBER
P430



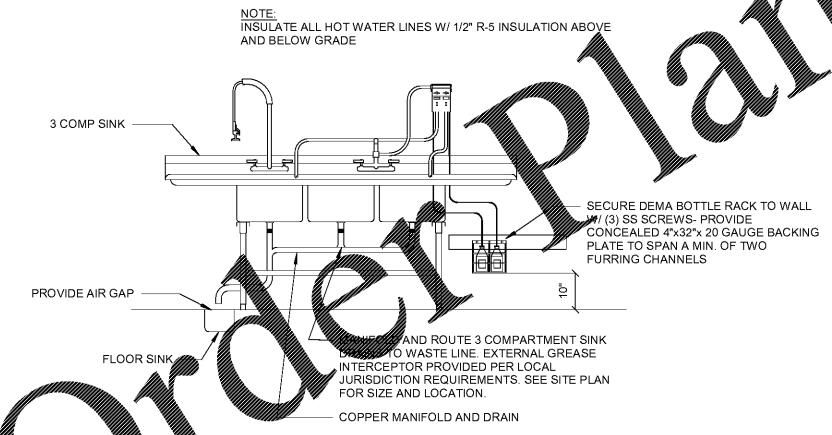
6 NON-FREEZE ROOF HYDRANT
 N.T.S.



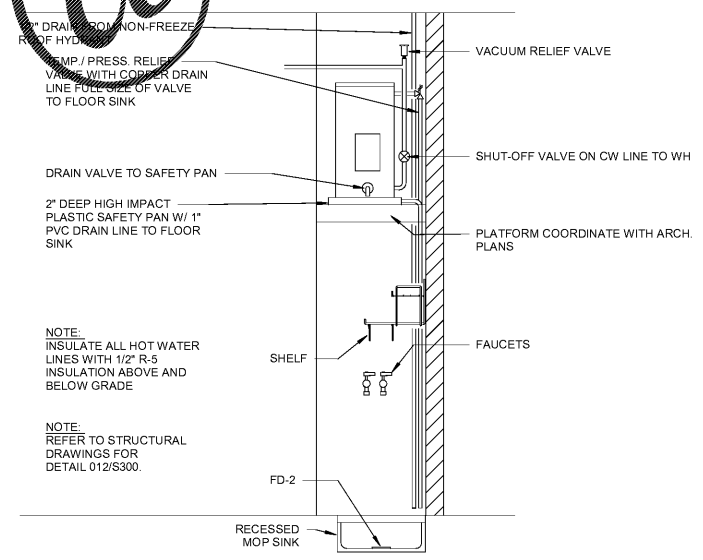
5 WATER MANIFOLD/FILTER DETAIL
 N.T.S.



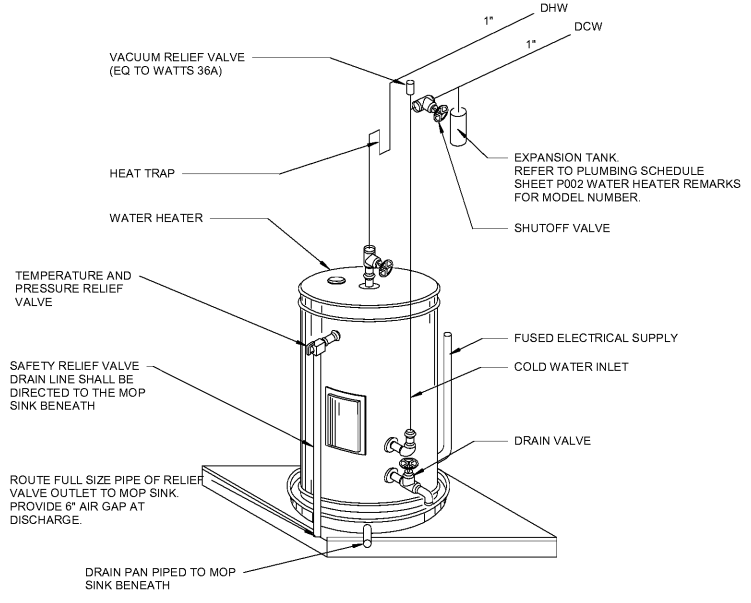
4 WATER HEATER MANIFOLD SCHEMATIC
 N.T.S.



3 3-COMPARTMENT SINK DETAIL
 N.T.S.



2 WATER HEATER DRAIN LINE DETAIL
 N.T.S.



1 ELECTRIC WATER HEATER DETAIL
 N.T.S.

WWW.LDLINE.COM

Order Plans