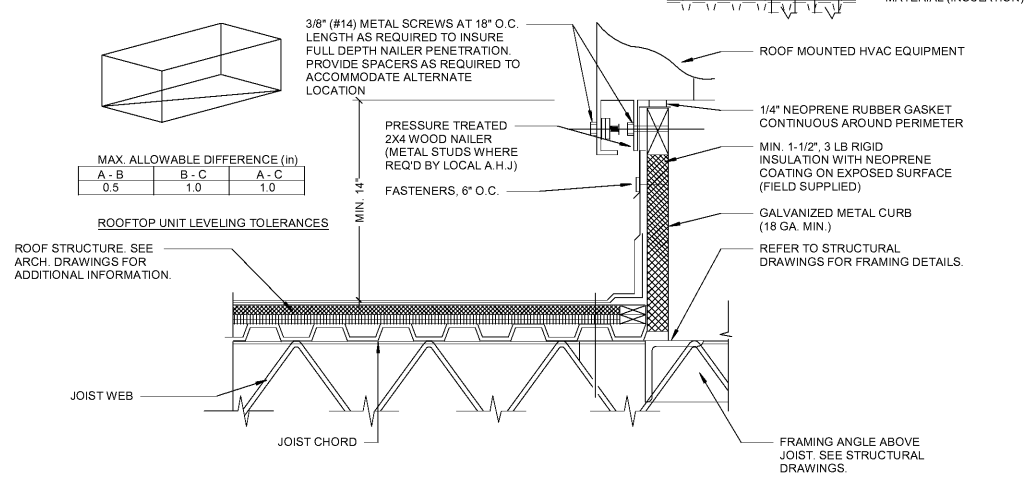


NOTE
DETAIL SHOWN FOR REFERENCE ONLY FOR ATTACHMENT
PURPOSES. CODE COMPLIANCE SHALL BE DETERMINED
AND VERIFIED BY A LICENSED STRUCTURAL ENGINEER.

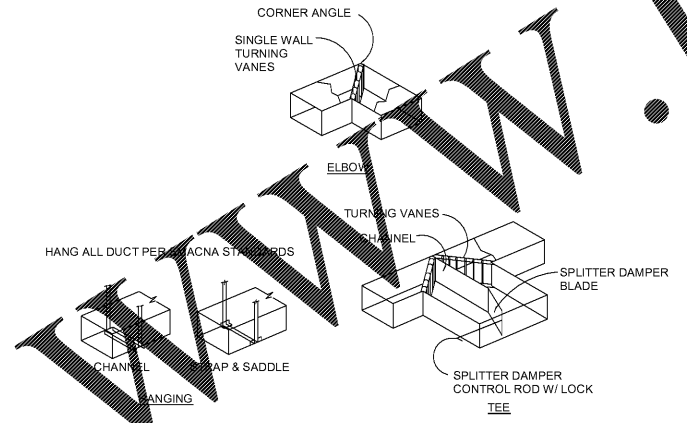
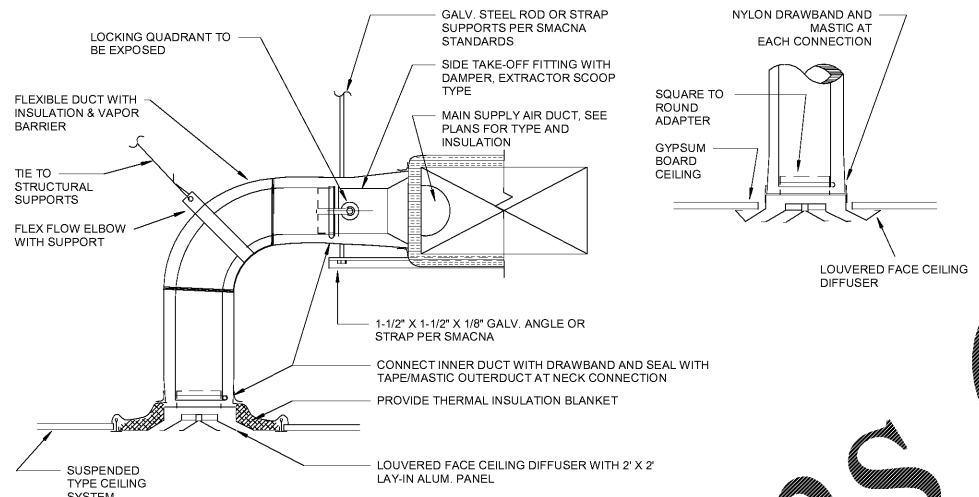


- ROOFTOP UNIT INSTALLATION NOTES**
- DUCT TRANSITION FROM RTU TO DUCT SIZE SHOWN ON MECHANICAL FLOOR PLAN SHALL BE MADE BETWEEN RTU AND TOP OF ROOF WITHIN CURB.
 - SIZE OF OPENING IN ROOF DECK TO BE AS SMALL AS POSSIBLE, 6" MAX. LARGER THAN DUCT SIZE SHOWN. COORDINATE W/ STRUCTURAL PLANS.
 - INSTALL PER MANUFACTURER'S RECOMMENDATION AND INSTALLATION MANUAL.
 - ALL WIRING BY ELECTRICAL CONTRACTOR.
 - SHIM CURB AS REQUIRED TO PROVIDE HORIZONTAL INSTALLATION OF UNIT WITHIN PRESCRIBED TOLERANCES.
 - CONTRACTOR SHALL COORDINATE LOCATION OF ROOF CURB WITH STRUCTURE PRIOR TO INSTALLATION.
 - ROOF CURB BY UNIT MANUFACTURER. PROVIDE ADDITIONAL BRACING AND SUPPORT AS REQUIRED FOR ROOF CLUB INSTALLATION TO WITHSTAND WIND LOAD PER LOCAL CODES.
 - CURB TO BE HEAVY GAUGE GALVANIZED STEEL CONSTRUCTION AS RECOMMENDED BY MANUFACTURER. ALL FASTENERS SHALL BE CORROSION PROTECTED IF EXPOSED TO OUTDOORS.
 - CLEARANCE OF UNIT TO ABOVE FINISHED ROOF SHALL COMPLY WITH LOCAL CODE REQUIREMENTS.

7 RECTANGULAR TEE DUCT DETAIL
NTS

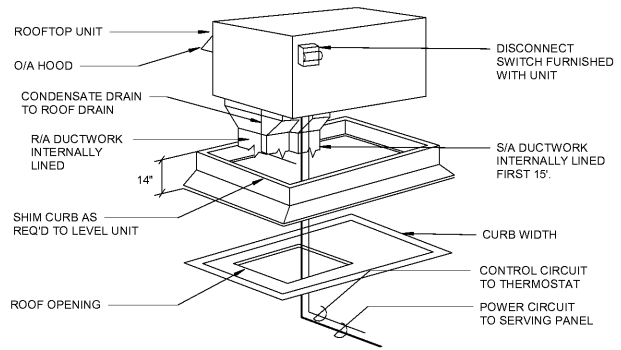
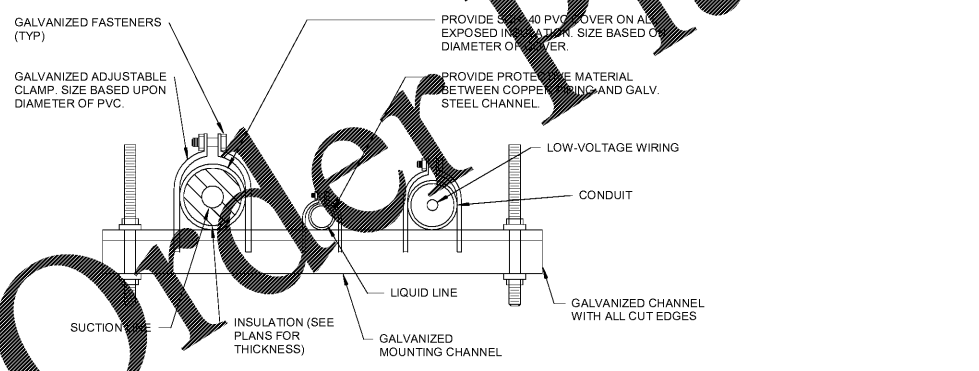
8 ROOF EQUIPMENT MOUNTING RACK REDTAIL
NTS

6 HVAC EQUIPMENT ROOF CURB DETAIL
NTS



4 HVAC DUCT DETAILS
NTS

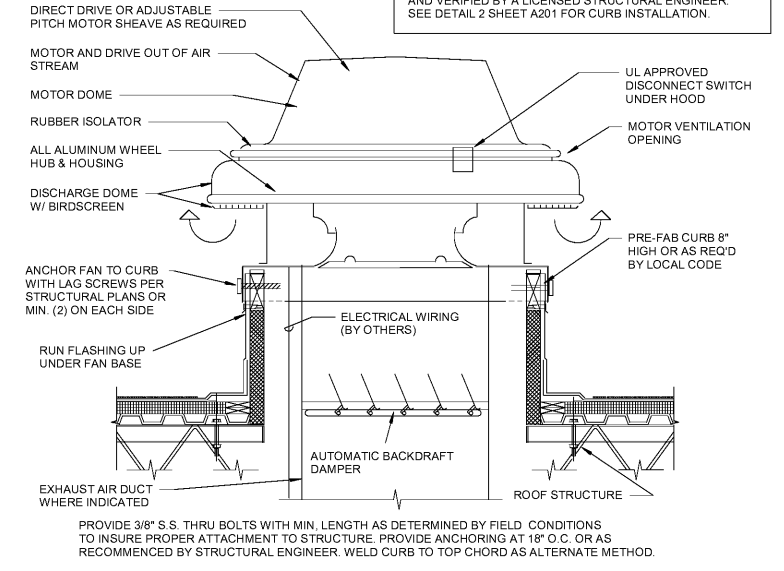
5 TYPICAL DIFFUSER DETAIL
NTS



- NOTES**
- DUCT TRANSITION FROM RTU TO DUCT SIZE SHOWN ON MECH. FLOOR PLAN SHALL BE MADE BETWEEN RTU AND TOP OF ROOF WITHIN CURB.
 - SIZE OF OPENING IN ROOF DECK TO BE AS SMALL AS POSSIBLE. COORDINATE W/STRUCT. DWGS (6" MIN. LARGER THAN DUCT SIZE SHOWN)
 - INSTALL PER MANUFACTURER'S RECOMMENDATION AND INSTALLATION MANUAL.
 - ALL WIRING BY ELECTRICAL CONTRACTOR.

2 ROOFTOP UNIT CONNECTIONS DETAIL
NTS

NOTE
DETAIL SHOWN FOR REFERENCE ONLY FOR ATTACHMENT
PURPOSES. CODE COMPLIANCE SHALL BE DETERMINED
AND VERIFIED BY A LICENSED STRUCTURAL ENGINEER.
SEE DETAIL 2 SHEET A201 FOR CURB INSTALLATION.



1 ROOF MOUNTED EXHAUST FAN DETAIL
NTS

3 REFRIGERANT PIPE MOUNTING DETAIL
NTS

RaceTrac
COPYRIGHT NOTICE
THESE PLANS ARE SUBJECT TO FEDERAL
COPYRIGHT LAWS. ANY USE OF SAME
WITHOUT THE EXPRESSED WRITTEN
PERMISSION OF RACETRAC PETROLEUM,
INC. IS PROHIBITED. 2016 RACETRAC
PETROLEUM INC.

DESIGN PROFESSIONALS

HILL FOLEY ROSSI & ASSOCIATES

ARCHITECTURE
ENGINEERING

3680 Pleasant Hill Road
Suite 200
Duluth, Georgia 30096
p 770.622.9858
f 770.622.9535
www.hillfoleyrossi.com

© Copyright (as noted below)
This drawing and all reproductions thereof are the property of Hill FoleY Rossi & Associates, LLC (HFR). It is intended for the exclusive use of the project named herein. Reproduction without the written consent of HFR is prohibited. All copies are to be returned to HFR upon project completion.

ISSUE/REVISION RECORD

DATE	DESCRIPTION
08/21/18	ISSUED FOR PERMIT

RaceTrac
RACETRAC PETROLEUM, INC.
200 GALLERIA PARKWAY SOUTHEAST
SUITE 900
ATLANTA, GEORGIA 30339
(770) 431-7600

PROJECT NAME
EAST MAIN STREET

CARTERSVILLE GEORGIA
1325 E. MAIN ST.
CARTERSVILLE, GA 30121

RACETRAC STORE NUMBER
1310

PROTOTYPE SERIES 5.5K 2.0
2018 RH MO

PLAN MODIFICATION NOTICE

SPB NO.	DATE
---------	------

STANDARD PLAN BULLETINS (SPB) MODIFY THE PROTOTYPE SERIES SET NOTED ABOVE. THE LISTED SPB REPRESENTS THE LATEST MODIFICATION INCORPORATED TO THIS PROTOTYPE SERIES SET AT ORIGINAL RELEASE. THE ISSUE/REVISION RECORD COLUMN ABOVE LISTS ANY REVISIONS OR SPB INCORPORATED IN THIS SET AFTER THE ORIGINAL RELEASE. CONTACT RACETRAC ENGINEERING AND CONSTRUCTION FOR ANY SUBSEQUENT BULLETINS NOT INCORPORATED HEREIN.

PROFESSIONAL SEAL

REGISTERED PROFESSIONAL ENGINEER
JUSTIN B. TRACY

08/21/18

PROJECT NUMBER
18.714.00

SHEET TITLE
MECHANICAL DETAILS

SHEET NUMBER
M430