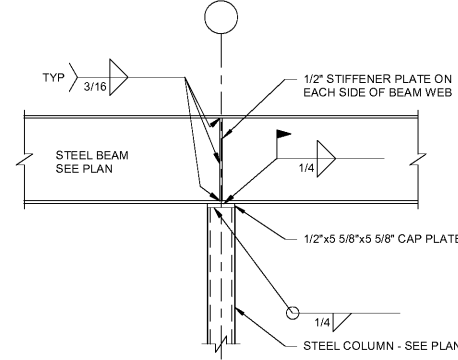


ISSUE/REVISION RECORD

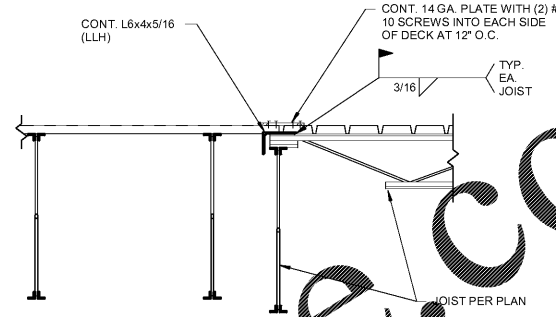
DATE	DESCRIPTION
08/21/18	ISSUED FOR PERMIT

SPB NO. DATE

STANDARD PLAN BULLETINS (SPB) MODIFY THE PROTOTYPE SERIES SET NOTED ABOVE. THE LISTED SPB REPRESENTS THE LATEST MODIFICATION INCORPORATED TO THIS PROTOTYPE SERIES SET AT ORIGINAL RELEASE. THE ISSUE/REVISION RECORD COLUMN ABOVE LISTS ANY REVISIONS TO SPB INCORPORATED IN THIS SET AFTER THE ORIGINAL RELEASE. CONTACT RACETRAC ENGINEERING AND CONSTRUCTION FOR ANY SUBSEQUENT BULLETINS NOT INCORPORATED HEREIN.

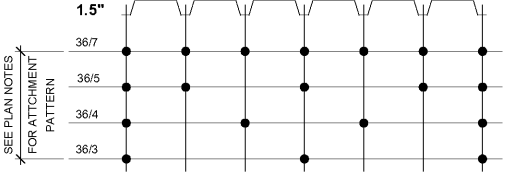


17 BEAM TO COLUMN CONNECTION DETAIL
 3/4" = 1'-0"

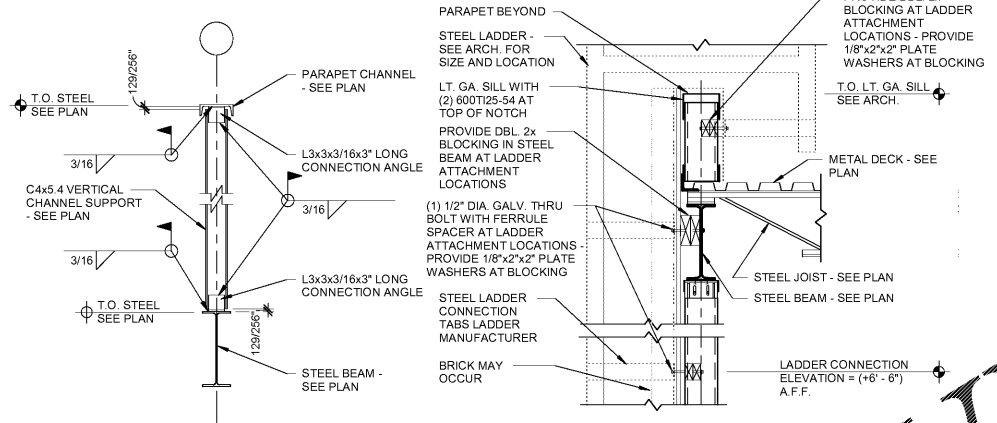


16 DECK DIRECTION CHANGE SECTION
 3/4" = 1'-0"

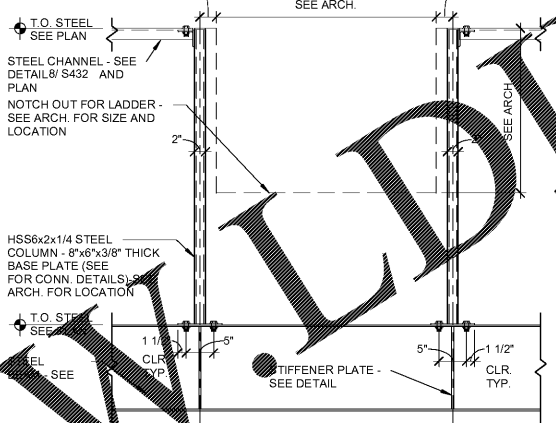
METAL ROOF DECK SHALL BE SUPPLIED IN 36" WIDTHS. ROOF DECK SHALL BE ATTACHED TO EACH SUPPORT BY FASTENING IN ACCORDANCE WITH FASTENER PATTERN NOTED ON DRAWINGS. SEE SCHEDULE BELOW FOR APPLICABLE FASTENING PATTERN. FASTEN ROOF DECK TO MAIN SUPPORTS WITH 5/8" DIA. PUDDLE WELDS. METAL ROOF DECK SIDELAPS SHALL BE ATTACHED WITH INDICATED NUMBER OF SIDELAP FASTENERS BETWEEN SUPPORTS AS NOTED ON DRAWINGS. SIDELAP FASTENER SHALL BE #12 DRILL-POINT SELF-TAPPING SCREWS. MINIMUM SIDELAP ATTACHMENT SHALL BE ONE FASTENER AT MIDPOINT OF DECK SPAN BETWEEN SUPPORTS. ATTACHMENT AT PERIMETER OF DECK SHALL BE EQUAL TO ATTACHMENT AT DECK SHEET LAPS AND DECK SHEET ENDS. ANY PARTIAL OR SKEWED SHEETS SHALL BE ATTACHED AT EVERY FLUTE REGARDLESS OF DECK WELD PATTERN.



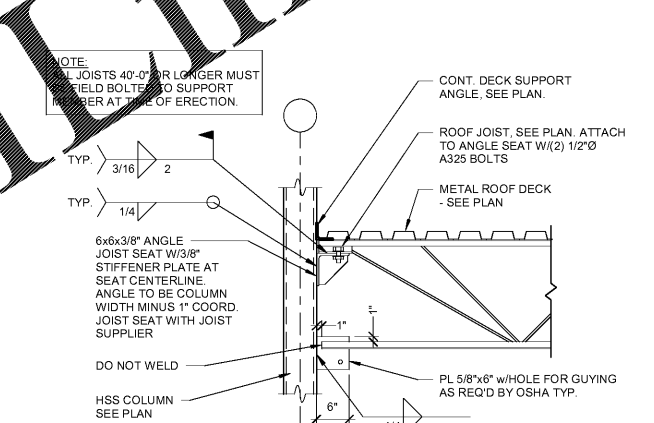
15 TYPICAL ROOF DECK ATTACHMENT DETAIL
 3/4" = 1'-0"



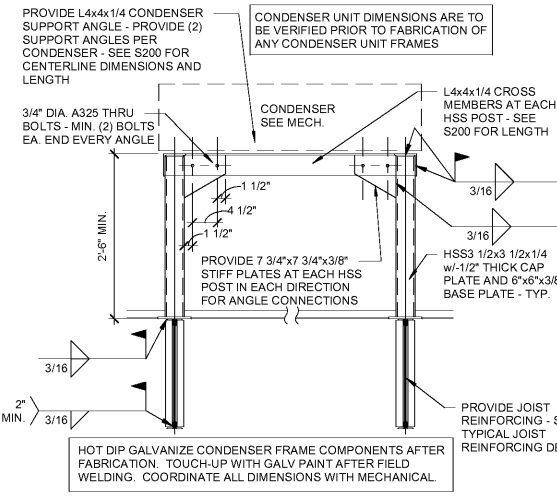
13 LADDER ATTACHMENT DETAIL
 3/4" = 1'-0"



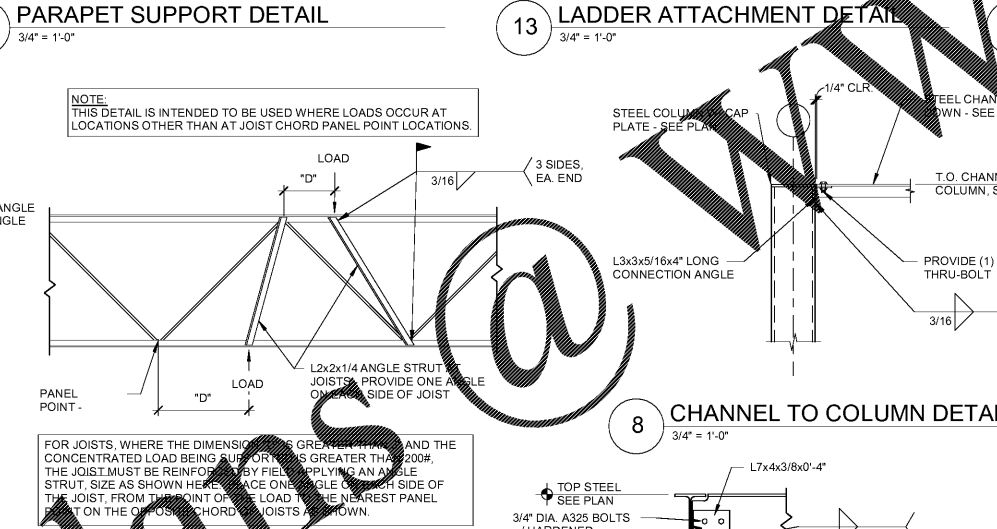
12 LADDER NOTCH DETAIL
 3/4" = 1'-0"



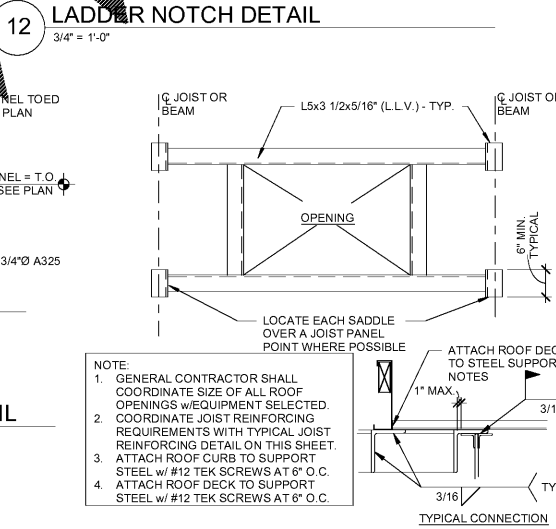
11 ROOF JOIST TO COLUMN CONNECTION
 3/4" = 1'-0"



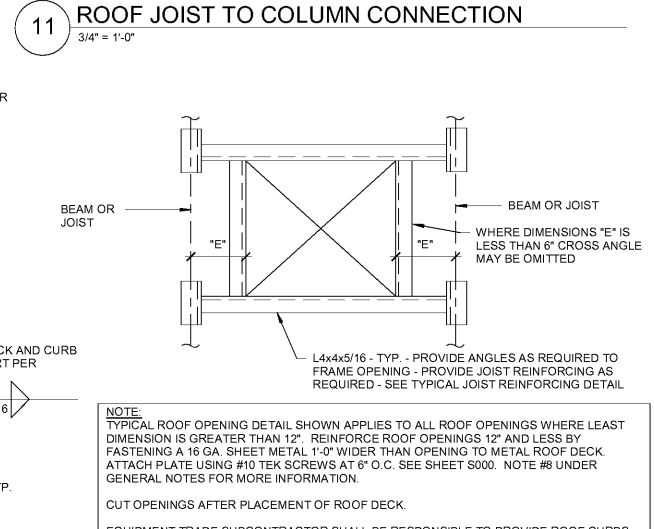
10 CONDENSER SUPPORT DETAIL
 3/4" = 1'-0"



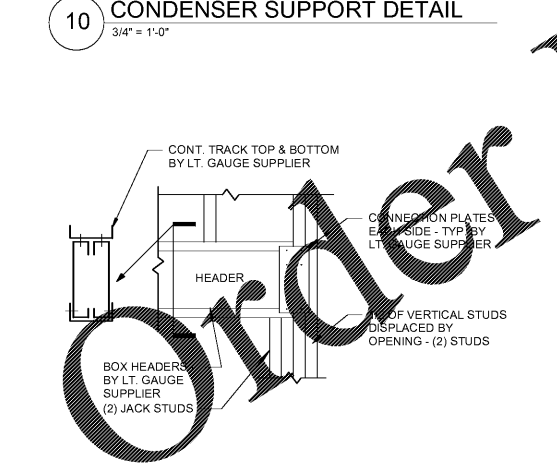
14 PARAPET SUPPORT DETAIL
 3/4" = 1'-0"



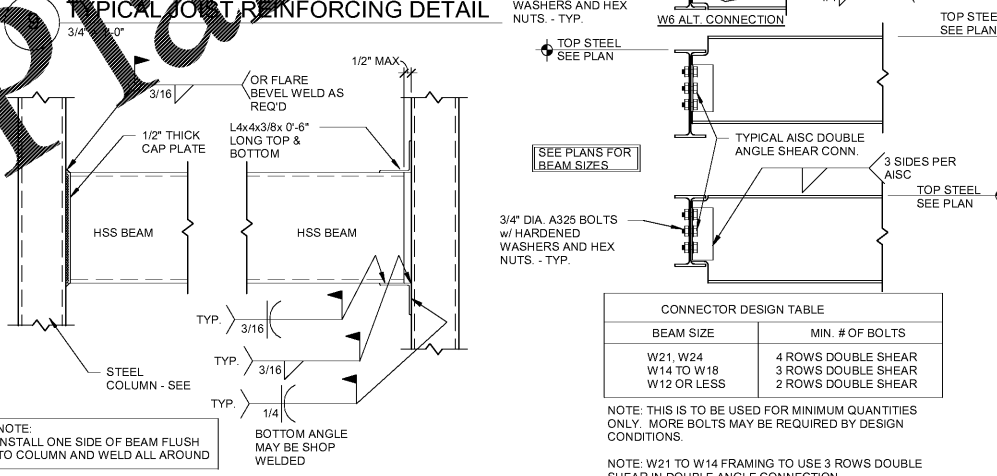
8 CHANNEL TO COLUMN DETAIL
 3/4" = 1'-0"



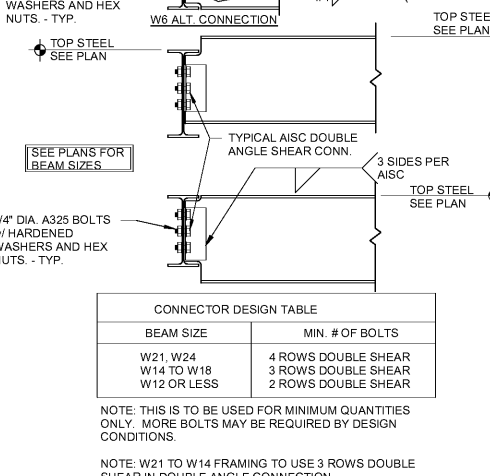
7 RTU SUPPORT FRAMING DETAIL
 3/4" = 1'-0"



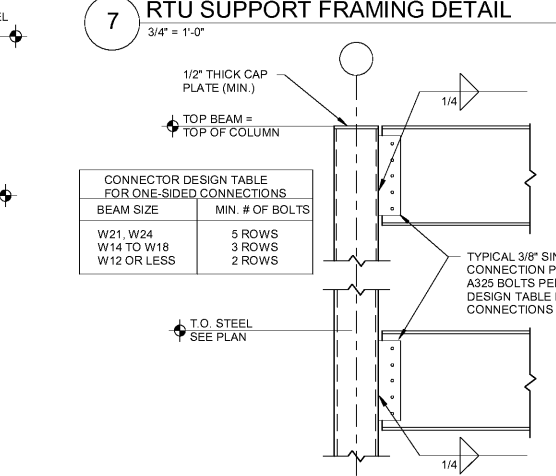
5 LIGHT GAGE BOX HEADER
 3/4" = 1'-0"



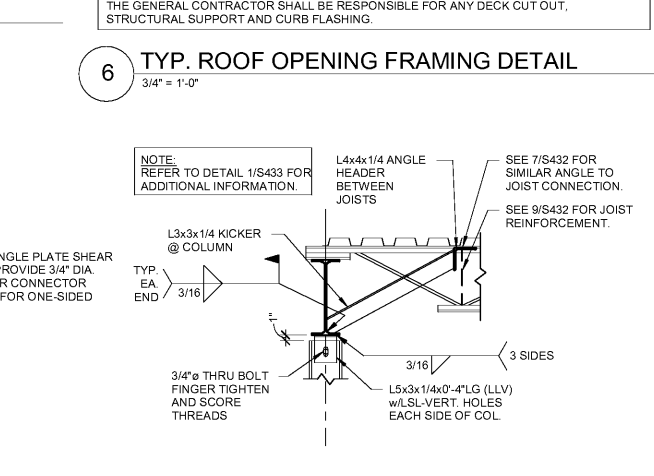
4 HSS BEAM TO COLUMN DETAILS
 3/4" = 1'-0"



3 BEAM TO BEAM FRAMING DETAILS
 3/4" = 1'-0"



2 TYP. BEAM TO COLUMN CONN. DETAILS
 3/4" = 1'-0"



6 TYP. ROOF OPENING FRAMING DETAIL
 3/4" = 1'-0"

CONNECTOR DESIGN TABLE FOR ONE-SIDED CONNECTIONS

BEAM SIZE	MIN. # OF BOLTS
W21, W24	5 ROWS
W14 TO W18	3 ROWS
W12 OR LESS	2 ROWS

CONNECTOR DESIGN TABLE

BEAM SIZE	MIN. # OF BOLTS
W21, W24	4 ROWS DOUBLE SHEAR
W14 TO W18	3 ROWS DOUBLE SHEAR
W12 OR LESS	2 ROWS DOUBLE SHEAR

NOTE: THIS IS TO BE USED FOR MINIMUM QUANTITIES ONLY. MORE BOLTS MAY BE REQUIRED BY DESIGN CONDITIONS.

NOTE: W21 TO W14 FRAMING TO USE 3 ROWS DOUBLE SHEAR IN DOUBLE ANGLE CONNECTION.

Order Plans @