

**ISSUE/REVISION RECORD**

DATE	DESCRIPTION
08/21/18	ISSUED FOR PERMIT

**RaceTrac**

RACETRAC PETROLEUM, INC.  
200 GALLERIA PARKWAY SOUTHEAST  
SUITE 900  
ATLANTA, GEORGIA 30339  
(770) 431-7600

**PROJECT NAME**

**EAST MAIN STREET**

**CARTERSVILLE GEORGIA**

1325 E. MAIN ST.  
CARTERSVILLE, GA 30121

**RACETRAC STORE NUMBER**

**1310**

**PROTOTYPE SERIES 5.5K 2.0**

**2018 RH MO**

**PLAN MODIFICATION NOTICE**

SPB NO.	DATE
---------	------

STANDARD PLAN BULLETINS (SPB) MODIFY THE PROTOTYPE SERIES SET NOTED ABOVE. THE LISTED SPB REPRESENTS THE LATEST MODIFICATION INCORPORATED TO THIS PROTOTYPE SERIES SET AT ORIGINAL RELEASE. THE ISSUE/REVISION RECORD COLUMN ABOVE LISTS ANY REVISIONS OR SPB INCORPORATED IN THIS SET AFTER THE ORIGINAL RELEASE. CONTACT RACETRAC ENGINEERING AND CONSTRUCTION FOR ANY SUBSEQUENT BULLETINS NOT INCORPORATED HEREIN.

**PROFESSIONAL SEAL**



**PROJECT NUMBER**

18.714.00

**SHEET TITLE**

**TYPICAL DETAILS**

**SHEET NUMBER**

**S430**

ISSUED FOR PERMIT

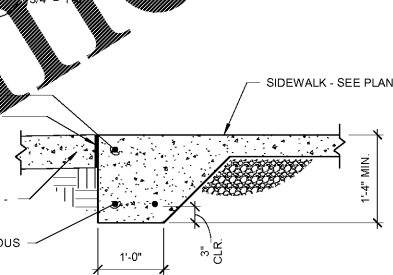
**CONCRETE REINFORCING LAP LENGTHS**

BAR SIZE	TENSION LAP SPLICE CLASS "A"	TENSION LAP SPLICE CLASS "B"	COMPRESSION SPLICE
#4	22"	29"	11"
#5	28"	36"	14"
#6	33"	43"	17"

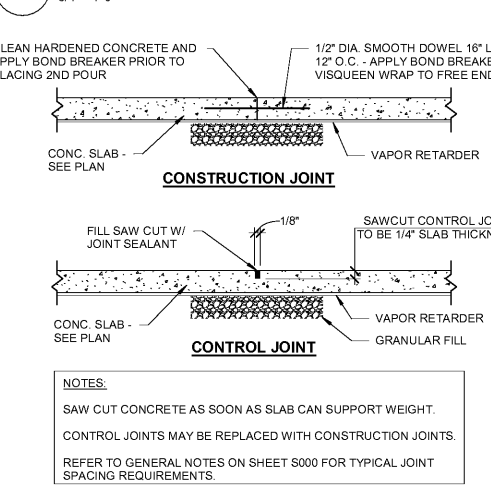
**MASONRY LAP SPLICE TABLE**

BAR SIZE	ALLOWABLE STRESS (100% STRESS)	
	MIN. LAP LENGTH	
#4	36"	
#5	45"	
#6	54"	

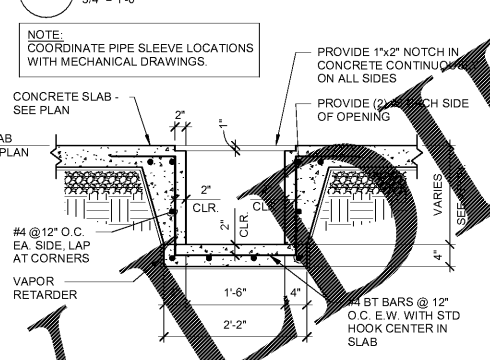
**12 REINFORCING LAP SCHEDULES**  
3/4" = 1'-0"



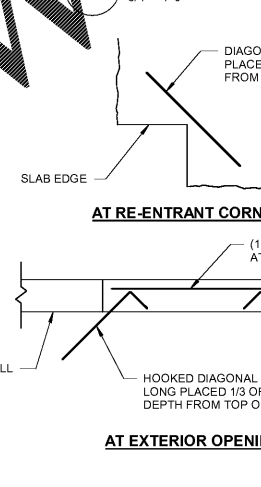
**9 TYPICAL EXTERIOR SLAB TURNDOWN**  
3/4" = 1'-0"



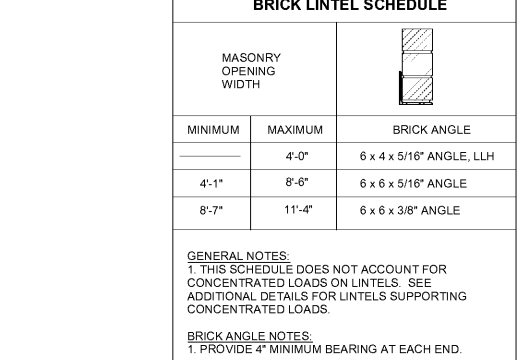
**13 SLAB OPENING MOP SINK DETAIL**  
3/4" = 1'-0"



**10 PIT DETAIL**  
3/4" = 1'-0"



**14 PIT DETAIL**  
3/4" = 1'-0"



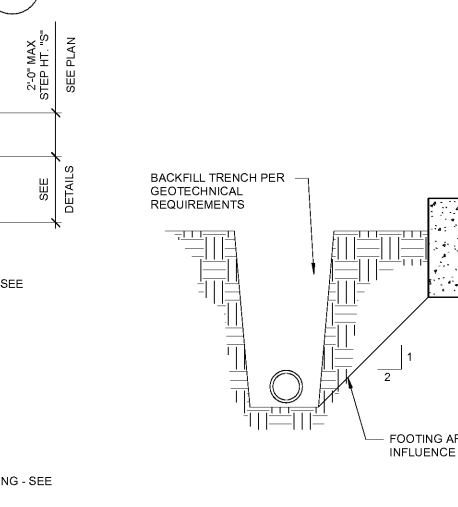
**11 BRICK LINTEL SCHEDULE**  
3/4" = 1'-0"

BRICK LINTEL SCHEDULE		
MASONRY OPENING WIDTH		BRICK ANGLE
MINIMUM	MAXIMUM	
4'-1"	4'-0"	6 x 4 x 5/16" ANGLE, LLH
4'-1"	8'-6"	6 x 6 x 5/16" ANGLE
8'-7"	11'-4"	6 x 6 x 3/8" ANGLE

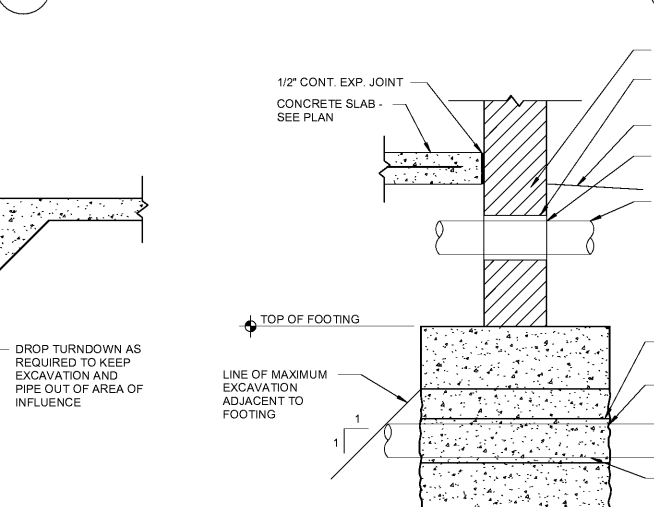
GENERAL NOTES:  
1. THIS SCHEDULE DOES NOT ACCOUNT FOR CONCENTRATED LOADS ON LINTELS. SEE ADDITIONAL DETAILS FOR LINTELS SUPPORTING CONCENTRATED LOADS.

BRICK ANGLE NOTES:  
1. PROVIDE 4" MINIMUM BEARING AT EACH END.

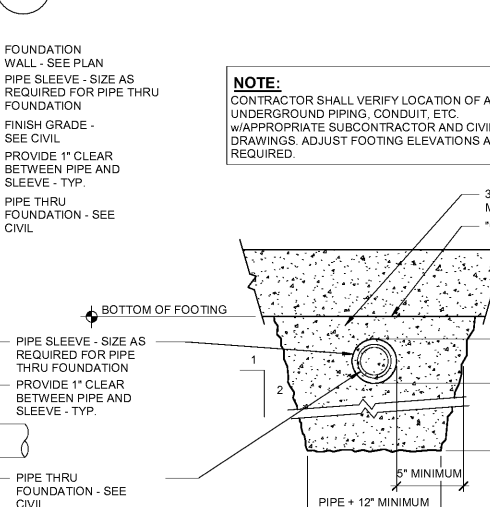
**7 TYPICAL COLUMN ISOLATION JOINT**  
3/4" = 1'-0"



**6 TYPICAL FLOOR SLAB REINFORCING AT CORNERS**  
3/4" = 1'-0"



**5 TYPICAL FLOOR SLAB JOINT DETAILS**  
3/4" = 1'-0"



**2 TYPICAL TRENCH ADJACENT TO FOOTING**  
3/4" = 1'-0"



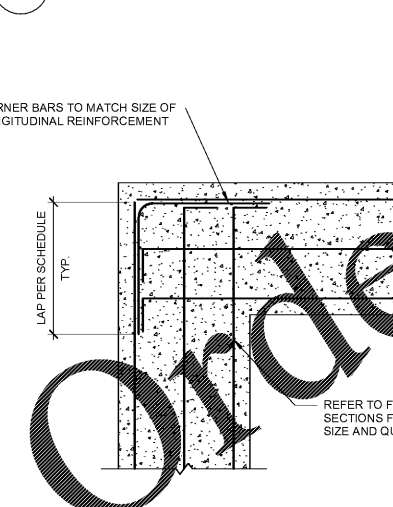
**3 TYPICAL FOOTING AND TURN DOWN STEP DETAIL**  
3/4" = 1'-0"



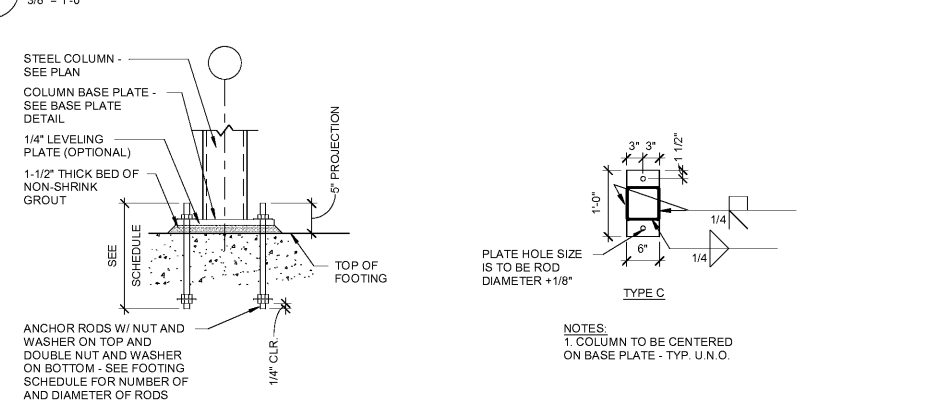
**4 TYPICAL FOOTING CORNER DETAIL**  
3/4" = 1'-0"



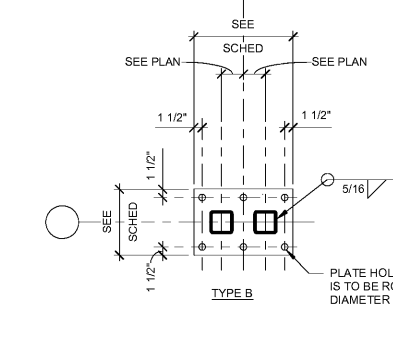
**8 TYPICAL BASE PLATE DETAILS**  
3/4" = 1'-0"



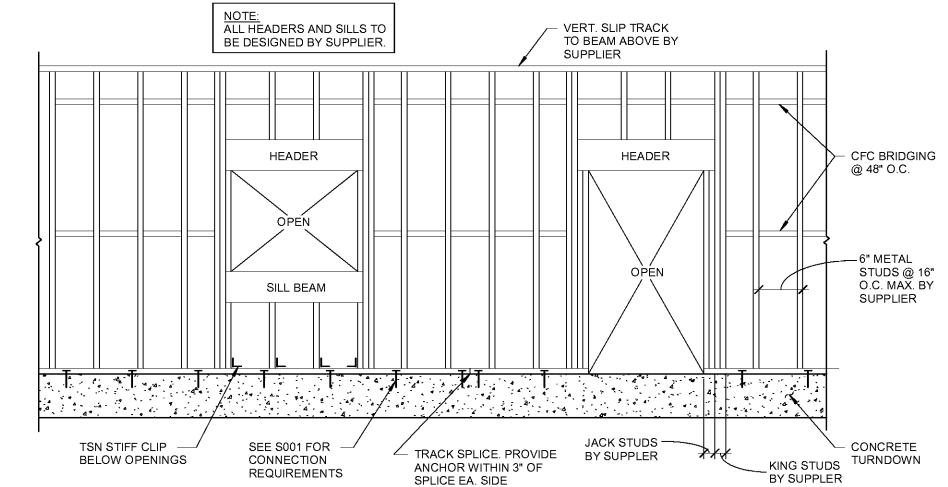
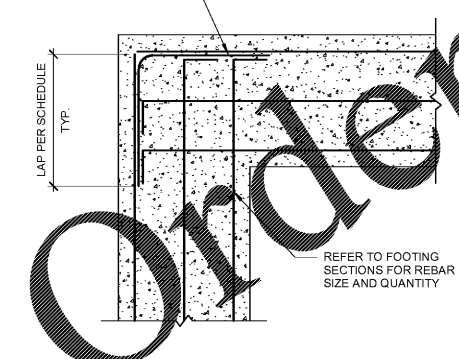
**15 TYP. WALL ELEVATION**  
3/8" = 1'-0"



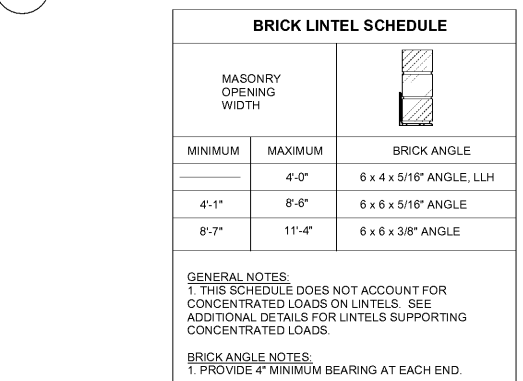
**16 TYP. WALL ELEVATION**  
3/8" = 1'-0"



**17 TYP. WALL ELEVATION**  
3/8" = 1'-0"



**14 PIT DETAIL**  
3/4" = 1'-0"



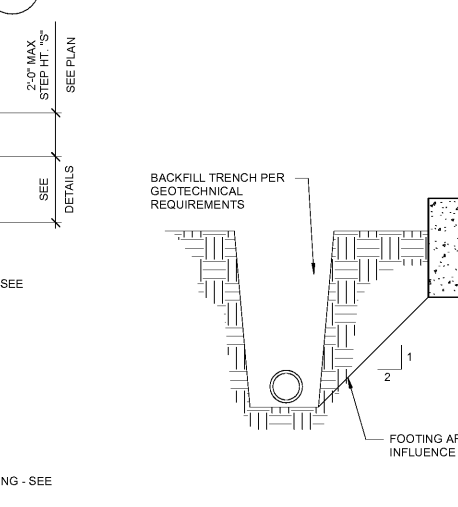
**11 BRICK LINTEL SCHEDULE**  
3/4" = 1'-0"

BRICK LINTEL SCHEDULE		
MASONRY OPENING WIDTH		BRICK ANGLE
MINIMUM	MAXIMUM	
4'-1"	4'-0"	6 x 4 x 5/16" ANGLE, LLH
4'-1"	8'-6"	6 x 6 x 5/16" ANGLE
8'-7"	11'-4"	6 x 6 x 3/8" ANGLE

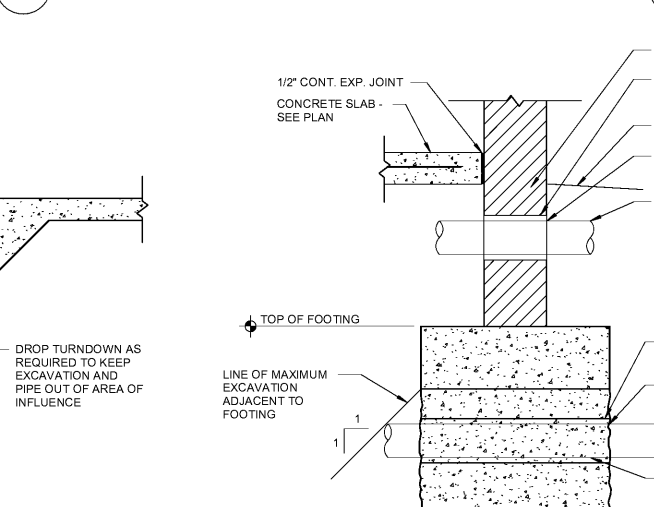
GENERAL NOTES:  
1. THIS SCHEDULE DOES NOT ACCOUNT FOR CONCENTRATED LOADS ON LINTELS. SEE ADDITIONAL DETAILS FOR LINTELS SUPPORTING CONCENTRATED LOADS.

BRICK ANGLE NOTES:  
1. PROVIDE 4" MINIMUM BEARING AT EACH END.

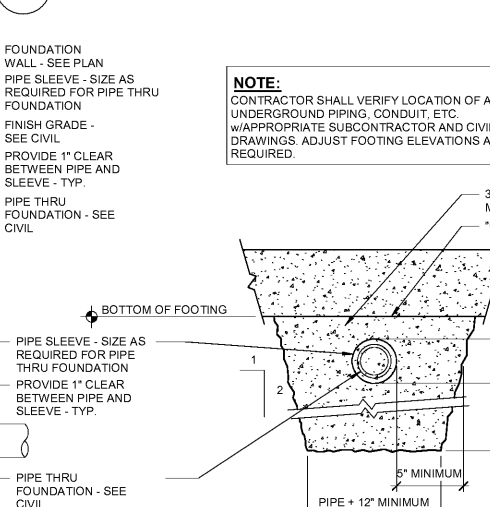
**7 TYPICAL COLUMN ISOLATION JOINT**  
3/4" = 1'-0"



**6 TYPICAL FLOOR SLAB REINFORCING AT CORNERS**  
3/4" = 1'-0"



**5 TYPICAL FLOOR SLAB JOINT DETAILS**  
3/4" = 1'-0"



**2 TYPICAL TRENCH ADJACENT TO FOOTING**  
3/4" = 1'-0"



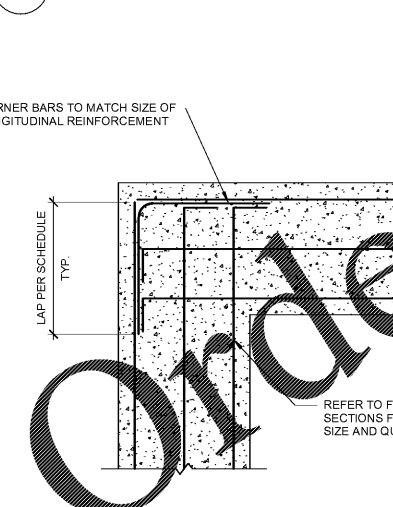
**3 TYPICAL FOOTING AND TURN DOWN STEP DETAIL**  
3/4" = 1'-0"



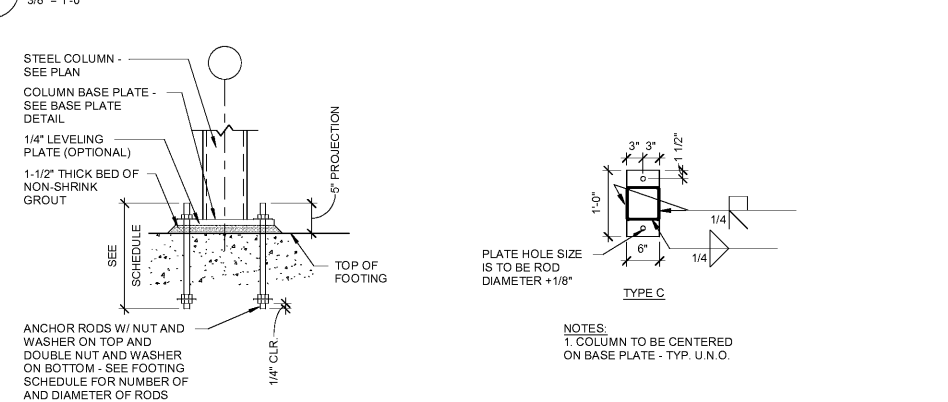
**4 TYPICAL FOOTING CORNER DETAIL**  
3/4" = 1'-0"



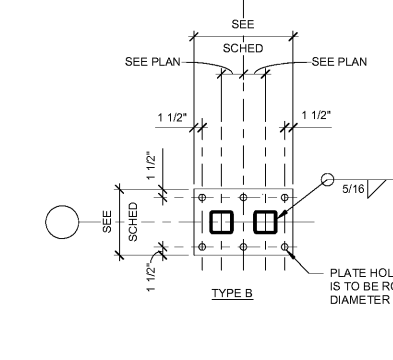
**8 TYPICAL BASE PLATE DETAILS**  
3/4" = 1'-0"



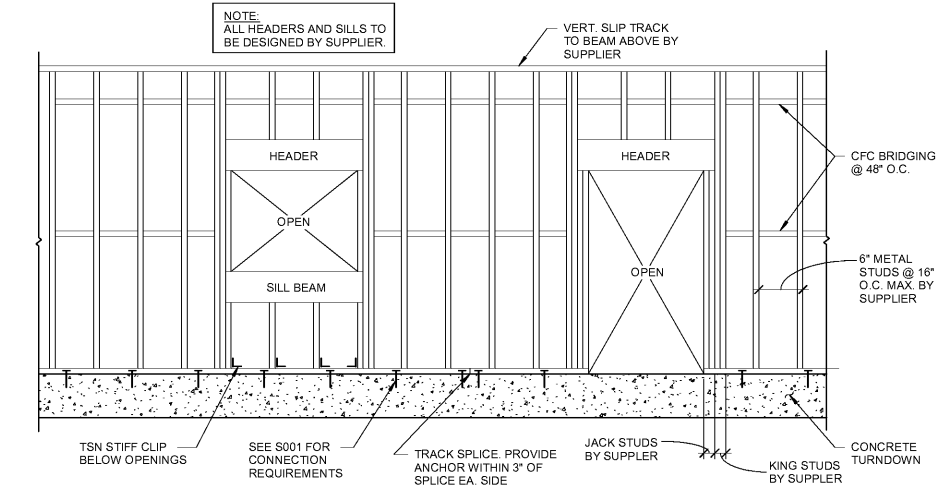
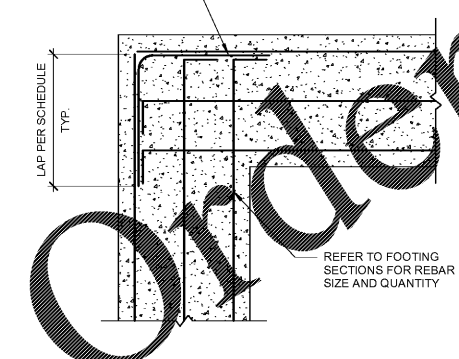
**15 TYP. WALL ELEVATION**  
3/8" = 1'-0"



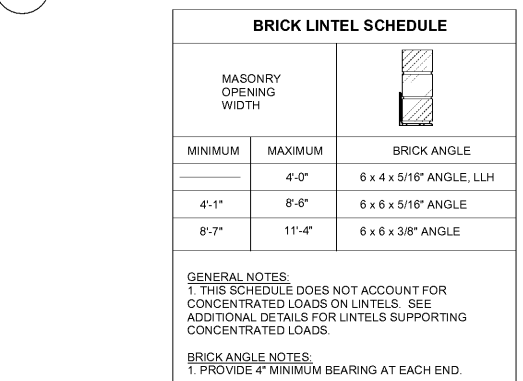
**16 TYP. WALL ELEVATION**  
3/8" = 1'-0"



**17 TYP. WALL ELEVATION**  
3/8" = 1'-0"



**14 PIT DETAIL**  
3/4" = 1'-0"



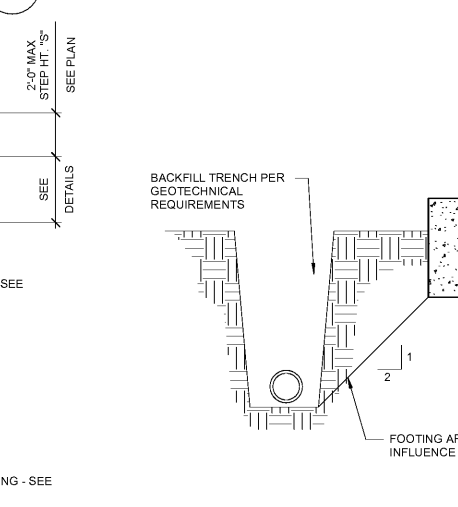
**11 BRICK LINTEL SCHEDULE**  
3/4" = 1'-0"

BRICK LINTEL SCHEDULE		
MASONRY OPENING WIDTH		BRICK ANGLE
MINIMUM	MAXIMUM	
4'-1"	4'-0"	6 x 4 x 5/16" ANGLE, LLH
4'-1"	8'-6"	6 x 6 x 5/16" ANGLE
8'-7"	11'-4"	6 x 6 x 3/8" ANGLE

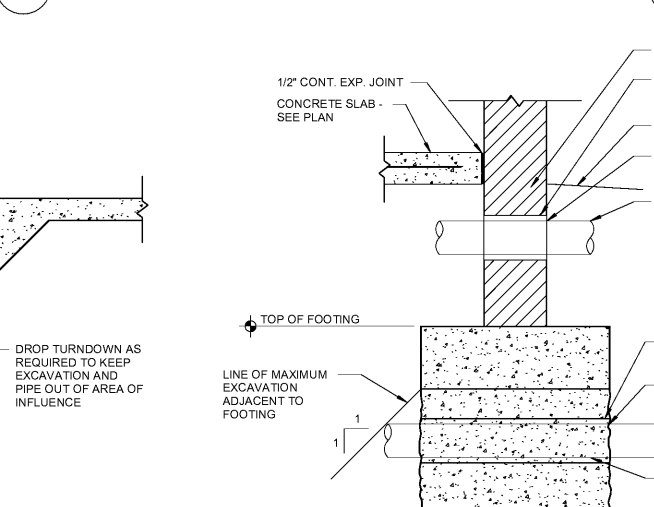
GENERAL NOTES:  
1. THIS SCHEDULE DOES NOT ACCOUNT FOR CONCENTRATED LOADS ON LINTELS. SEE ADDITIONAL DETAILS FOR LINTELS SUPPORTING CONCENTRATED LOADS.

BRICK ANGLE NOTES:  
1. PROVIDE 4" MINIMUM BEARING AT EACH END.

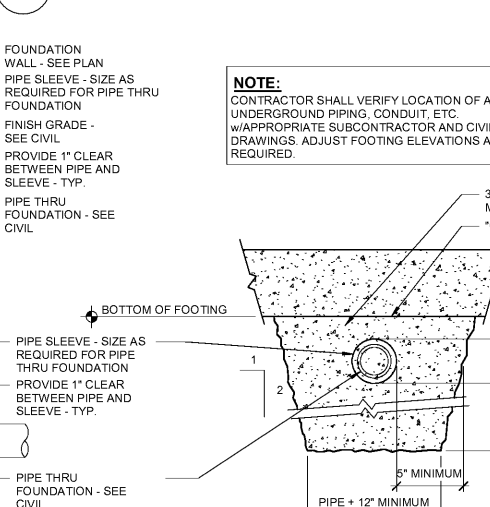
**7 TYPICAL COLUMN ISOLATION JOINT**  
3/4" = 1'-0"



**6 TYPICAL FLOOR SLAB REINFORCING AT CORNERS**  
3/4" = 1'-0"



**5 TYPICAL FLOOR SLAB JOINT DETAILS**  
3/4" = 1'-0"



**2 TYPICAL TRENCH ADJACENT TO FOOTING**  
3/4" = 1'-0"



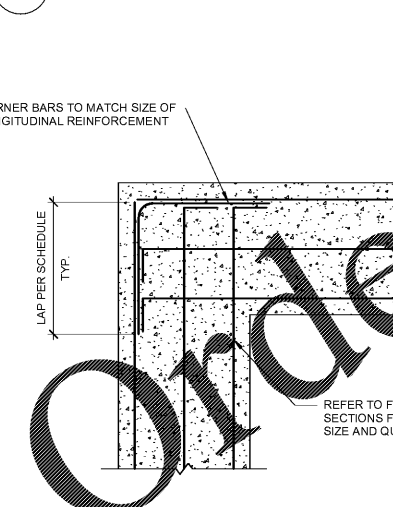
**3 TYPICAL FOOTING AND TURN DOWN STEP DETAIL**  
3/4" = 1'-0"



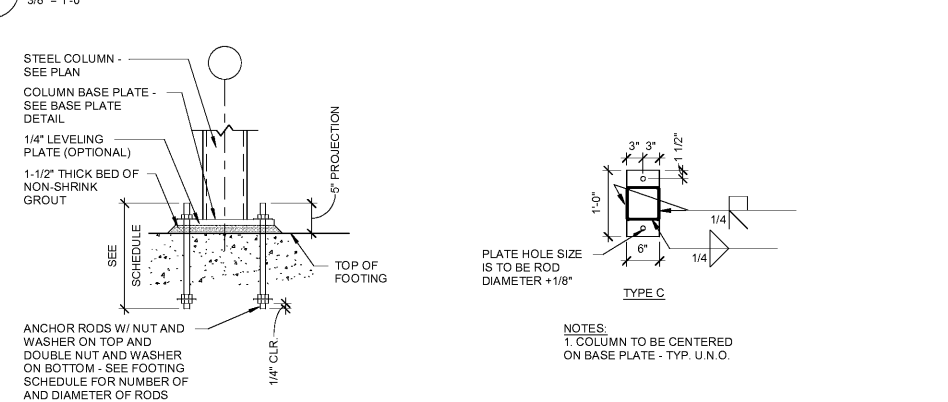
**4 TYPICAL FOOTING CORNER DETAIL**  
3/4" = 1'-0"



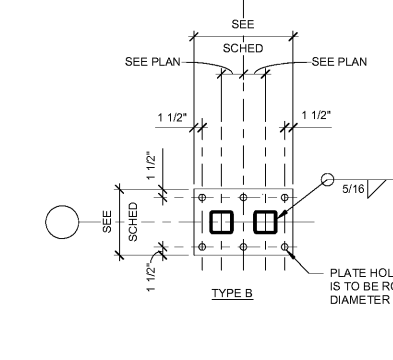
**8 TYPICAL BASE PLATE DETAILS**  
3/4" = 1'-0"



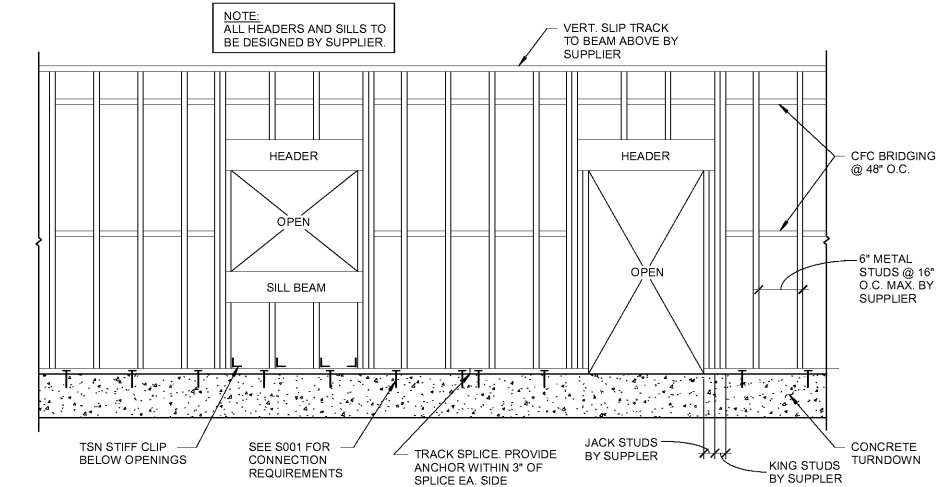
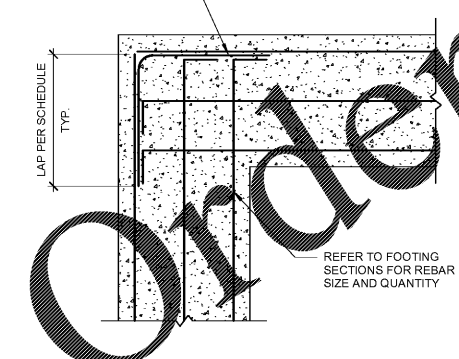
**15 TYP. WALL ELEVATION**  
3/8" = 1'-0"



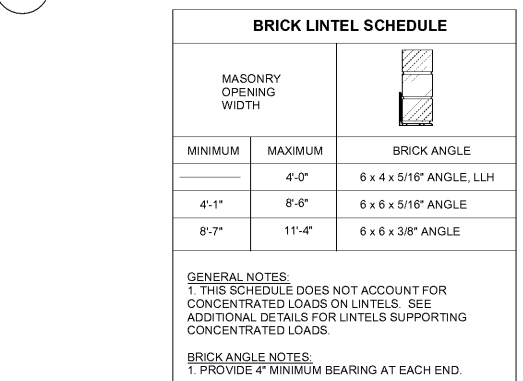
**16 TYP. WALL ELEVATION**  
3/8" = 1'-0"



**17 TYP. WALL ELEVATION**  
3/8" = 1'-0"



**14 PIT DETAIL**  
3/4" = 1'-0"



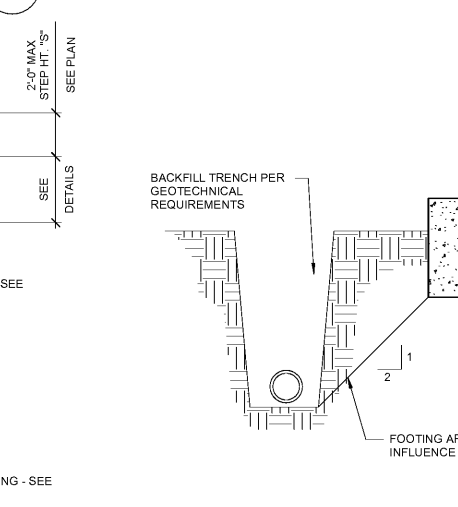
**11 BRICK LINTEL SCHEDULE**  
3/4" = 1'-0"

BRICK LINTEL SCHEDULE		
MASONRY OPENING WIDTH		BRICK ANGLE
MINIMUM	MAXIMUM	
4'-1"	4'-0"	6 x 4 x 5/16" ANGLE, LLH
4'-1"	8'-6"	6 x 6 x 5/16" ANGLE
8'-7"	11'-4"	6 x 6 x 3/8" ANGLE

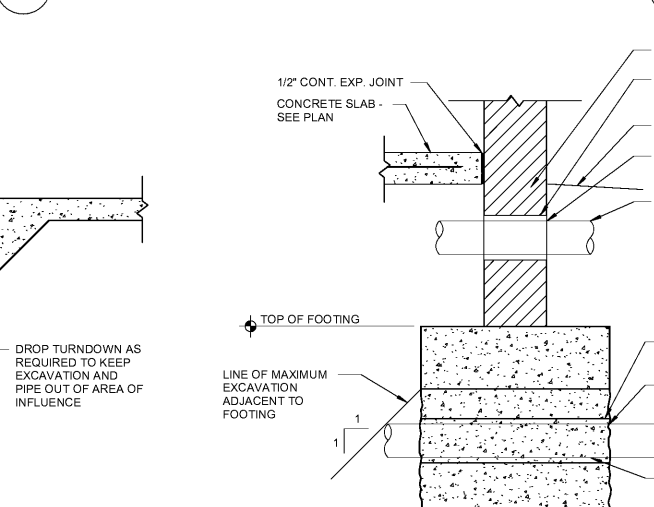
GENERAL NOTES:  
1. THIS SCHEDULE DOES NOT ACCOUNT FOR CONCENTRATED LOADS ON LINTELS. SEE ADDITIONAL DETAILS FOR LINTELS SUPPORTING CONCENTRATED LOADS.

BRICK ANGLE NOTES:  
1. PROVIDE 4" MINIMUM BEARING AT EACH END.

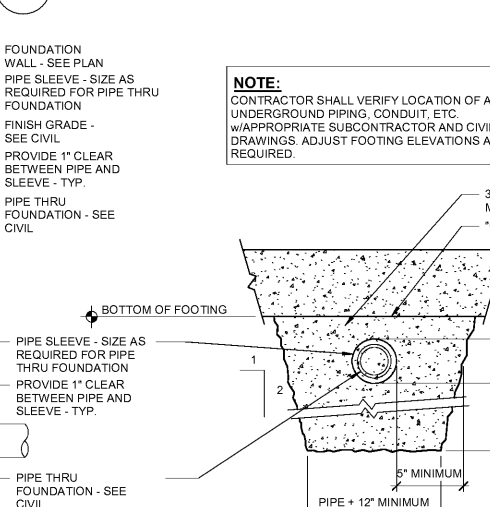
**7 TYPICAL COLUMN ISOLATION JOINT**  
3/4" = 1'-0"



**6 TYPICAL FLOOR SLAB REINFORCING AT CORNERS**  
3/4" = 1'-0"



**5 TYPICAL FLOOR SLAB JOINT DETAILS**  
3/4" = 1'-0"



**2 TYPICAL TRENCH ADJACENT TO FOOTING**  
3/4" = 1'-0"



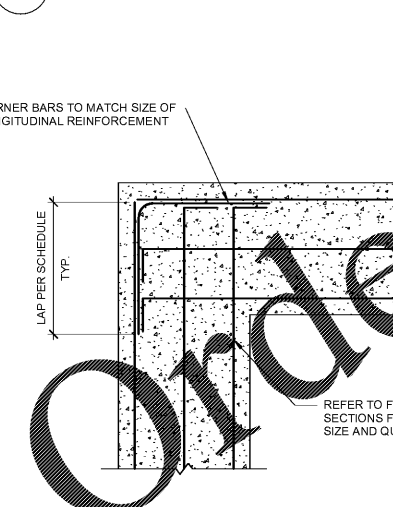
**3 TYPICAL FOOTING AND TURN DOWN STEP DETAIL**  
3/4" = 1'-0"



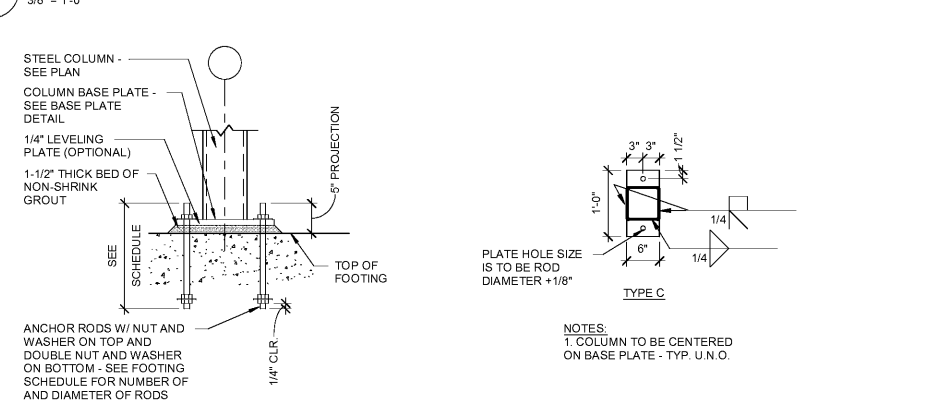
**4 TYPICAL FOOTING CORNER DETAIL**  
3/4" = 1'-0"



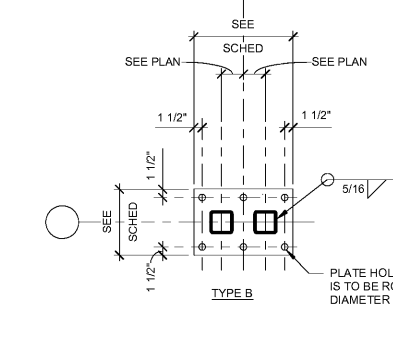
**8 TYPICAL BASE PLATE DETAILS**  
3/4" = 1'-0"



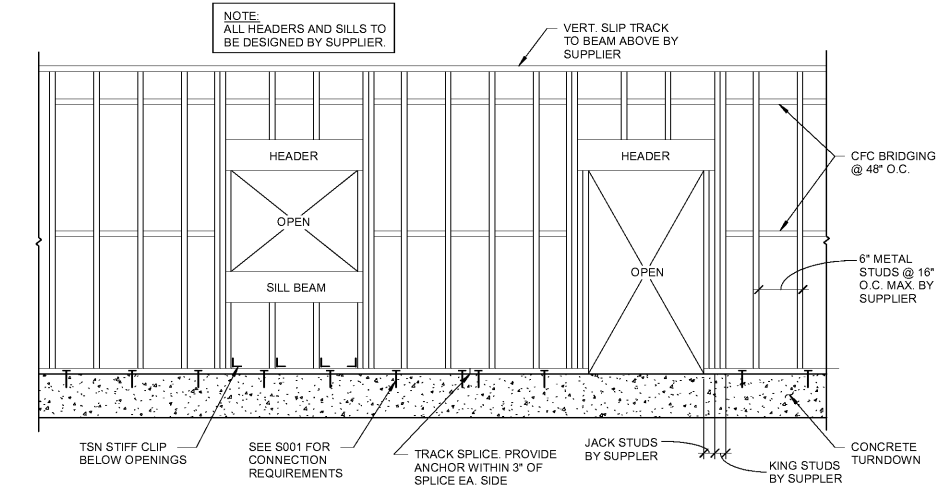
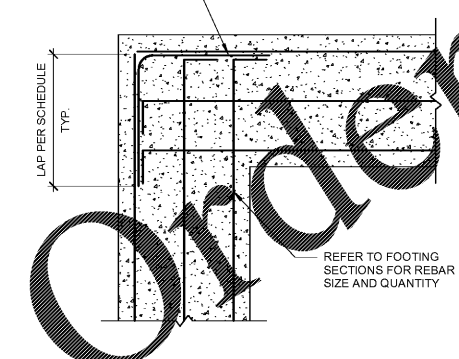
**15 TYP. WALL ELEVATION**  
3/8" = 1'-0"



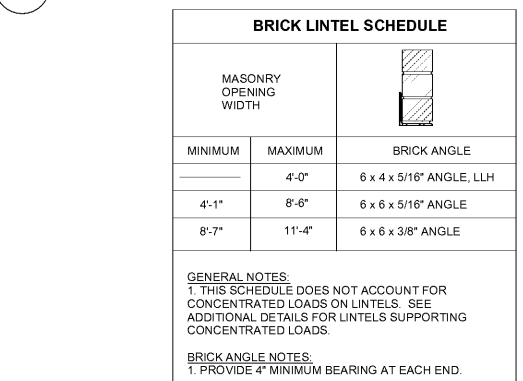
**16 TYP. WALL ELEVATION**  
3/8" = 1'-0"



**17 TYP. WALL ELEVATION**  
3/8" = 1'-0"



**14 PIT DETAIL**  
3/4" = 1'-0"



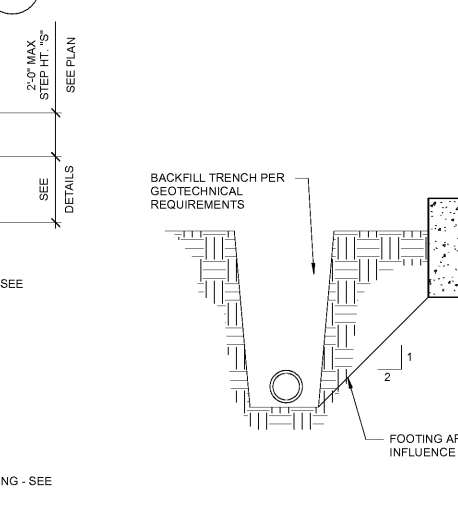
**11 BRICK LINTEL SCHEDULE**  
3/4" = 1'-0"

BRICK LINTEL SCHEDULE		
MASONRY OPENING WIDTH		BRICK ANGLE
MINIMUM	MAXIMUM	
4'-1"	4'-0"	6 x 4 x 5/16" ANGLE, LLH
4'-1"	8'-6"	6 x 6 x 5/16" ANGLE
8'-7"	11'-4"	6 x 6 x 3/8" ANGLE

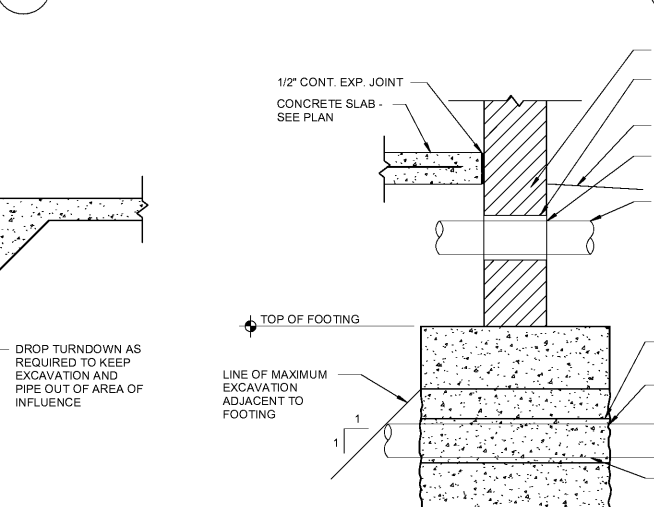
GENERAL NOTES:  
1. THIS SCHEDULE DOES NOT ACCOUNT FOR CONCENTRATED LOADS ON LINTELS. SEE ADDITIONAL DETAILS FOR LINTELS SUPPORTING CONCENTRATED LOADS.

BRICK ANGLE NOTES:  
1. PROVIDE 4" MINIMUM BEARING AT EACH END.

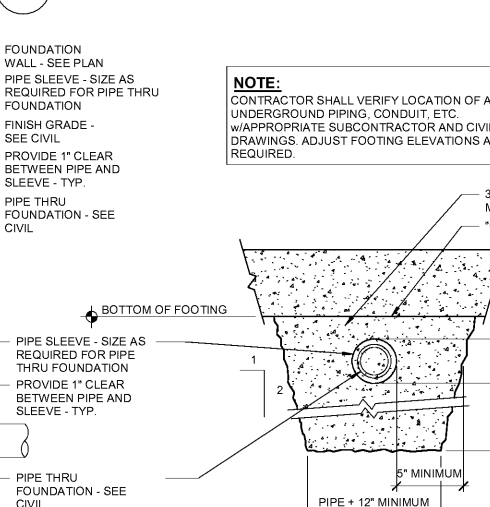
**7 TYPICAL COLUMN ISOLATION JOINT**  
3/4" = 1'-0"



**6 TYPICAL FLOOR SLAB REINFORCING AT CORNERS**  
3/4" = 1'-0"



**5 TYPICAL FLOOR SLAB JOINT DETAILS**  
3/4" = 1'-0"



**2 TYPICAL TRENCH ADJACENT TO FOOTING**  
3/4" = 1'-0"



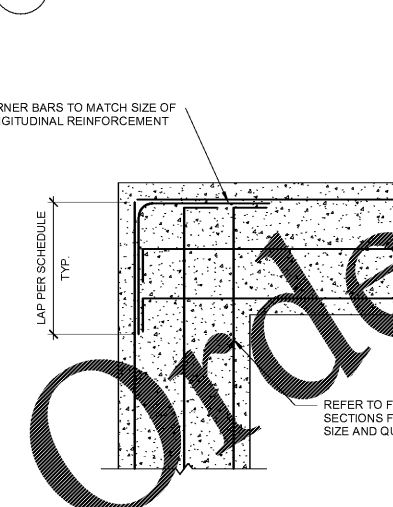
**3 TYPICAL FOOTING AND TURN DOWN STEP DETAIL**  
3/4" = 1'-0"



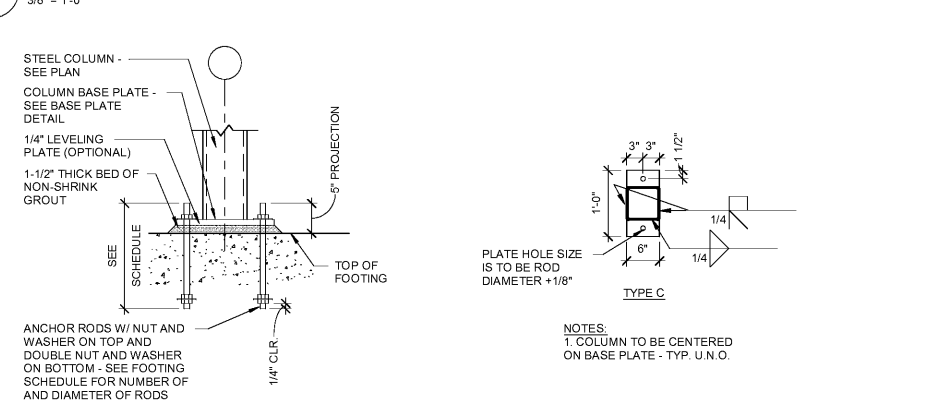
**4 TYPICAL FOOTING CORNER DETAIL**  
3/4" = 1'-0"



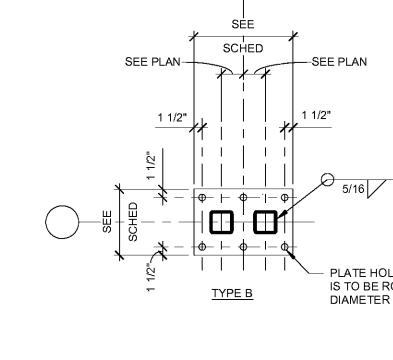
**8 TYPICAL BASE PLATE DETAILS**  
3/4" = 1'-0"



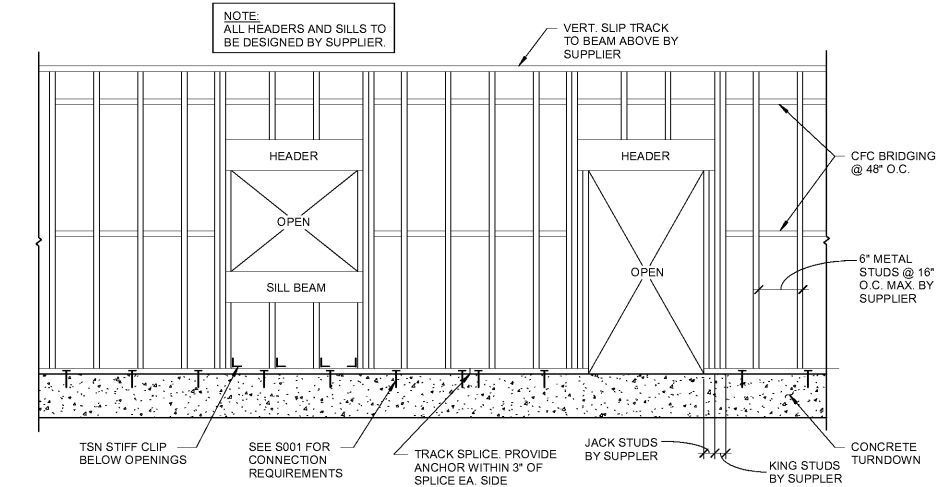
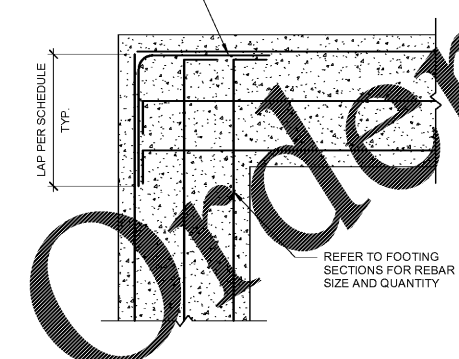
**15 TYP. WALL ELEVATION**  
3/8" = 1'-0"



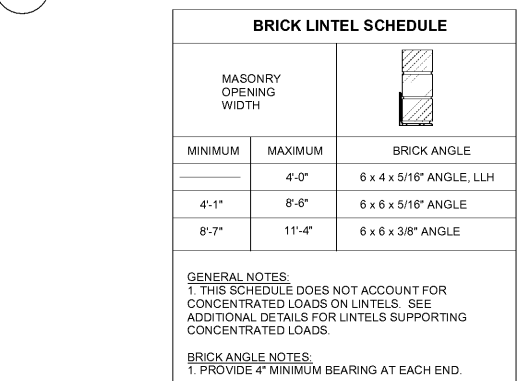
**16 TYP. WALL ELEVATION**  
3/8" = 1'-0"



**17 TYP. WALL ELEVATION**  
3/8" = 1'-0"



**14 PIT DETAIL**  
3/4" = 1'-0"



**11 BRICK LINTEL SCHEDULE**  
3/4" = 1'-0"

BRICK LINTEL SCHEDULE		
MASONRY OPENING WIDTH		BRICK ANGLE
MINIMUM	MAXIMUM	
4'-1"	4'-0"	6 x 4 x 5/16" ANGLE, LLH
4'-1"	8'-6"	6 x 6 x 5/16" ANGLE
8'-7"	11'-4"	6 x 6 x 3/8"