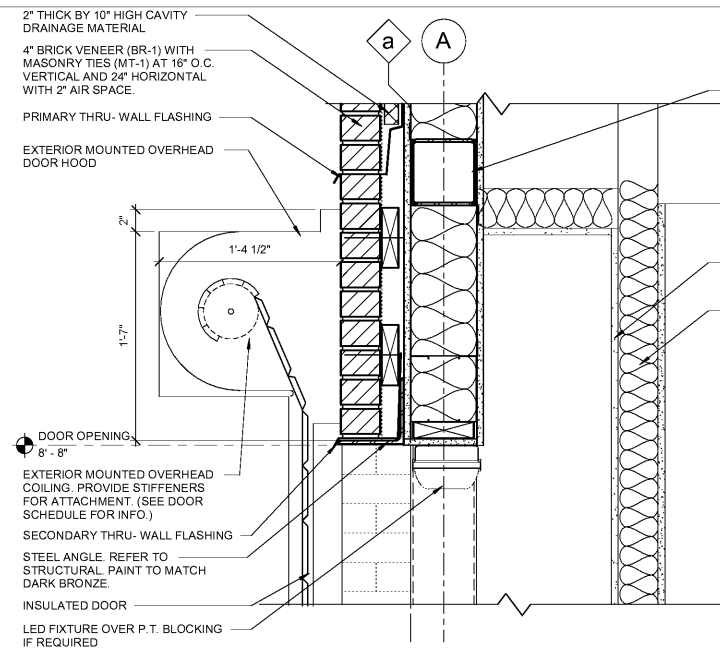
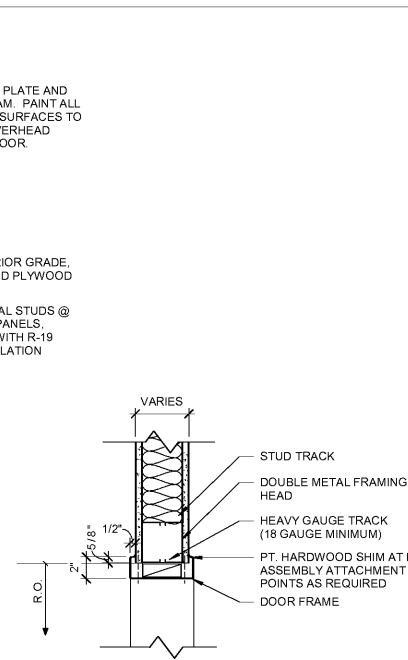


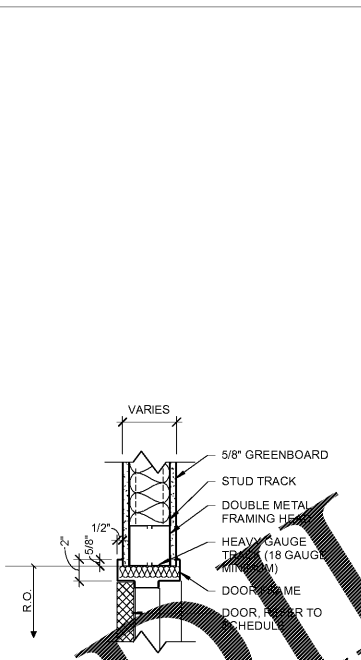
15 DETAIL - HEAD 05
3" = 1'-0"



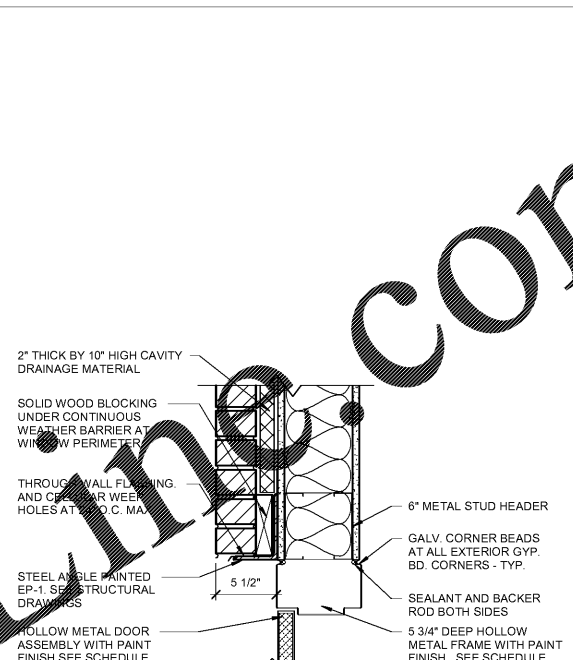
14 DETAIL - HEAD 04
1 1/2" = 1'-0"



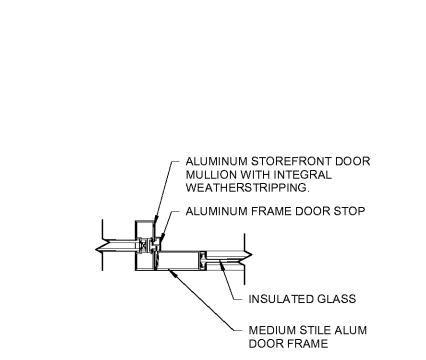
13 DETAIL - JAMB 03
1 1/2" = 1'-0"



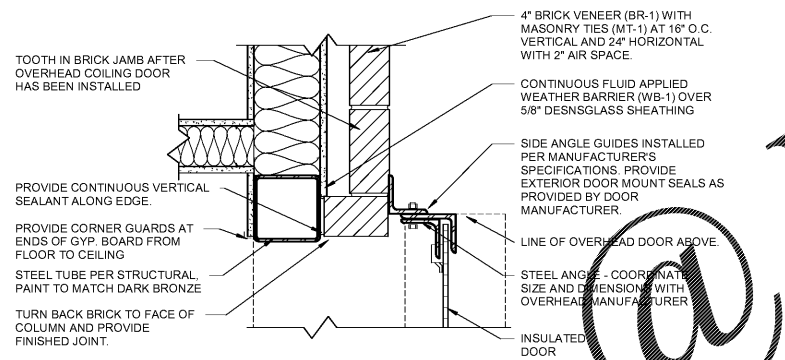
12 DETAIL - HEAD 02
1 1/2" = 1'-0"



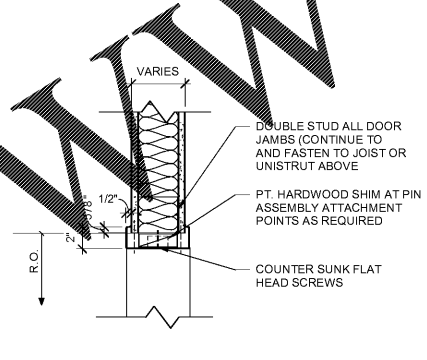
11 DETAIL - HEAD 01
1 1/2" = 1'-0"



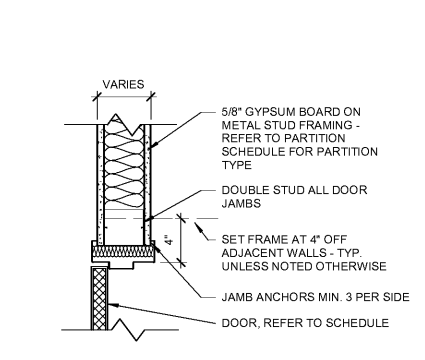
10 DETAIL - JAMB 05
1 1/2" = 1'-0"



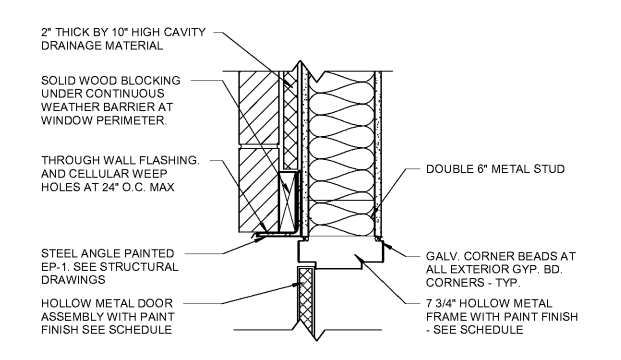
9 DETAIL - JAMB 04
1 1/2" = 1'-0"



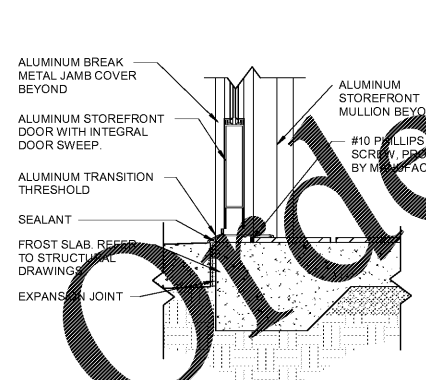
8 DETAIL - JAMB 03
1 1/2" = 1'-0"



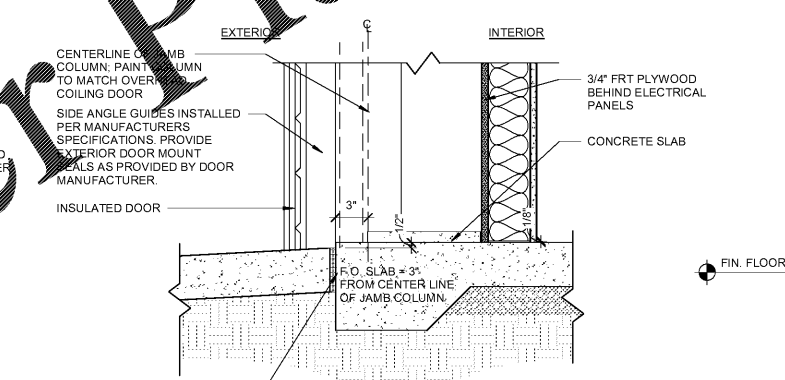
7 DETAIL - JAMB 02
1 1/2" = 1'-0"



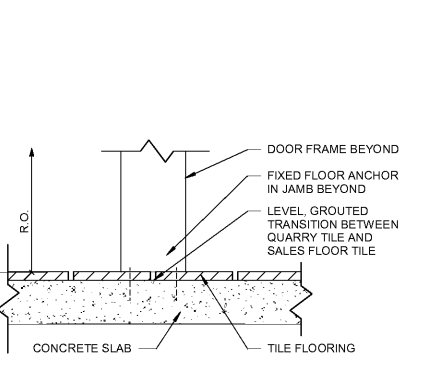
6 DETAIL - JAMB 01
1 1/2" = 1'-0"



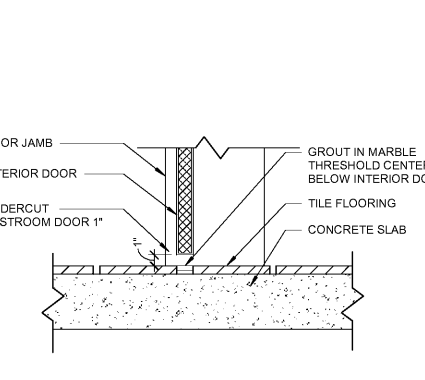
5 DETAIL - SILL 05
1 1/2" = 1'-0"



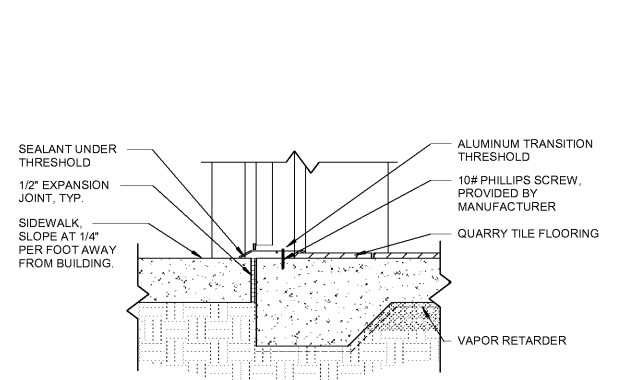
4 DETAIL - SILL 04
1 1/2" = 1'-0"



3 DETAIL - SILL 03
1 1/2" = 1'-0"



2 DETAIL - SILL 02
1 1/2" = 1'-0"



1 DETAIL - SILL 01
1 1/2" = 1'-0"

RaceTrac
COPYRIGHT NOTICE
THESE PLANS ARE SUBJECT TO FEDERAL COPYRIGHT LAWS. ANY USE OF SAME WITHOUT THE EXPRESSED WRITTEN PERMISSION OF RACETRAC PETROLEUM, INC. IS PROHIBITED. 2016 RACETRAC PETROLEUM INC.

DESIGN PROFESSIONALS
HR
HILLFOLEYROSSI & ASSOCIATES

ARCHITECTURE
ENGINEERING
3680 Pleasant Hill Road
Suite 200
Duluth, Georgia 30096
p 770.622.9858
f 770.622.9535
www.hillfoleyrossi.com

© Copyright (as stated below)
This drawing and all information thereon are the property of Hill Fooleyrossi & Associates, LLC (HFA). It is intended for the sole use of the project named herein. Reproduction without the written consent of HFA is prohibited. All rights are reserved to HFA upon project completion.

ISSUE/REVISION RECORD

DATE	DESCRIPTION
08/21/18	ISSUED FOR PERMIT

RaceTrac
RACETRAC PETROLEUM, INC.
200 GALLERIA PARKWAY SOUTHEAST
SUITE 900
ATLANTA, GEORGIA 30339
(770) 431-7600

PROJECT NAME
EAST MAIN STREET

CARTERSVILLE GEORGIA
1325 E. MAIN ST.
CARTERSVILLE, GA 30121

RACETRAC STORE NUMBER
1310

PROTOTYPE SERIES 5.5K 2.0
2018 RH MO

PLAN MODIFICATION NOTICE

SPB NO. DATE

STANDARD PLAN BULLETINS (SPB) MODIFY THE PROTOTYPE SERIES SET NOTED ABOVE. THE LISTED SPB REPRESENTS THE LATEST MODIFICATION INCORPORATED TO THIS PROTOTYPE SERIES SET AT ORIGINAL RELEASE. THE ISSUE/REVISION RECORD COLUMN ABOVE LISTS ANY REVISIONS OR SPB INCORPORATED IN THIS SET AFTER THE ORIGINAL RELEASE. CONTACT RACETRAC ENGINEERING AND CONSTRUCTION FOR ANY SUBSEQUENT BULLETINS NOT INCORPORATED HEREIN.

PROFESSIONAL SEAL

STATE OF GEORGIA
JON B. ERICKSON
REGISTERED PROFESSIONAL ARCHITECT
08/21/18

PROJECT NUMBER
18.714.00

SHEET TITLE
DOOR DETAILS

SHEET NUMBER
A701
ISSUED FOR PERMIT