

GLASS TYPES
 (T) TEMPERED GLASS

RaceTrac
 COPYRIGHT NOTICES
 THESE PLANS ARE SUBJECT TO FEDERAL
 COPYRIGHT LAWS. ANY USE OF SAME
 WITHOUT THE EXPRESSED WRITTEN
 PERMISSION OF RACETRAC PETROLEUM,
 INC. IS PROHIBITED. 2016 RACETRAC
 PETROLEUM INC.

DESIGN PROFESSIONALS
HR
 HILLFOLEYROSSI
 & ASSOCIATES

ARCHITECTURE
 ENGINEERING
 3680 Pleasant Hill Road
 Suite 200
 Duluth, Georgia 30096
 p 770.622.9858
 f 770.622.9535
 www.hillfoleyrossi.com

© Copyright (as stated below).
 This drawing and all information thereon are the property of
 Hill Fooley Rossi & Associates, LLC (HFR). It is intended for the
 use of the project named herein. Reproduction without the
 written consent of HFR is prohibited. All rights are to be
 retained to HFR upon project completion.

ISSUE/REVISION RECORD

DATE	DESCRIPTION
08/21/18	ISSUED FOR PERMIT

RaceTrac
 RACETRAC PETROLEUM, INC.
 200 GALLERIA PARKWAY SOUTHEAST
 SUITE 900
 ATLANTA, GEORGIA 30339
 (770) 431-7600

PROJECT NAME
EAST MAIN STREET

CARTERSVILLE GEORGIA
 1325 E. MAIN ST.
 CARTERSVILLE, GA 30121

RACETRAC STORE NUMBER
1310

PROTOTYPE SERIES 5.5K 2.0
 2018 RH MO

PLAN MODIFICATION NOTICE

SPB NO. DATE
 STANDARD PLAN BULLETINS (SPB) MODIFY THE
 PROTOTYPE SERIES SET NOTED ABOVE. THE
 LISTED SPB REPRESENTS THE LATEST
 MODIFICATION INCORPORATED TO THIS
 PROTOTYPE SERIES SET AT ORIGINAL RELEASE.
 THE ISSUE/REVISION RECORD COLUMN ABOVE
 LISTS ANY REVISIONS OR SPB INCORPORATED IN
 THIS SET AFTER THE ORIGINAL RELEASE.
 CONTACT RACETRAC ENGINEERING AND
 CONSTRUCTION FOR ANY SUBSEQUENT
 BULLETINS NOT INCORPORATED HEREIN.

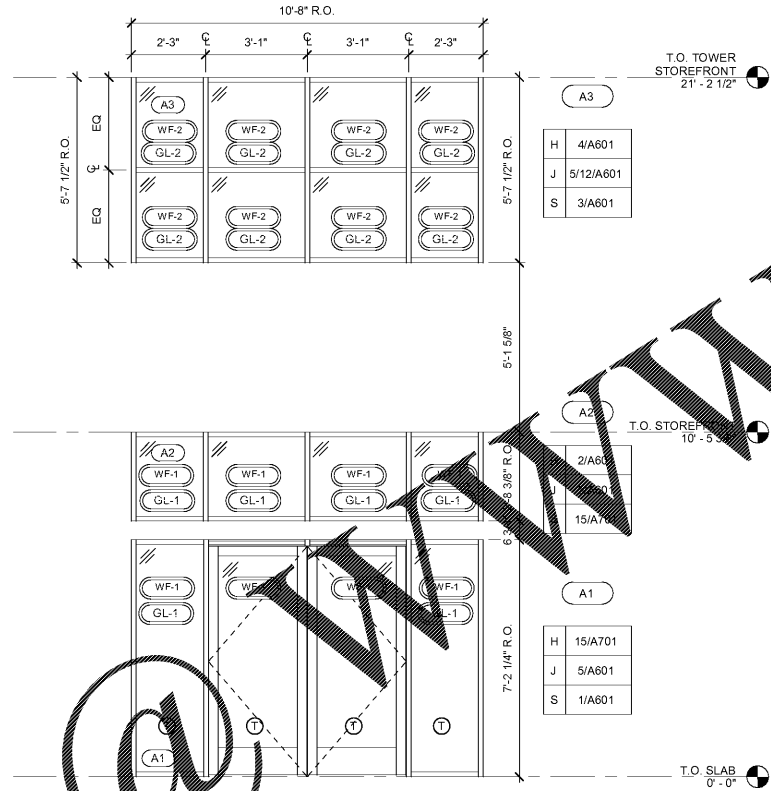
PROFESSIONAL SEAL



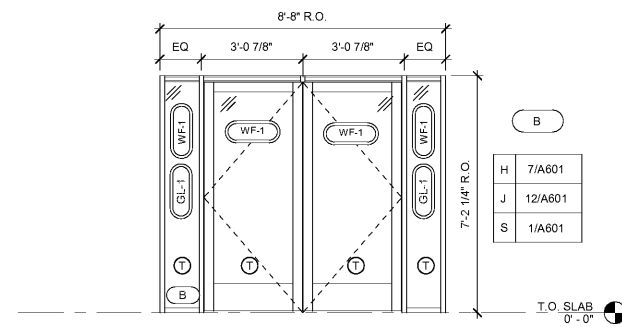
PROJECT NUMBER
 18,714.00

SHEET TITLE
WINDOW ELEVATIONS AND DETAILS

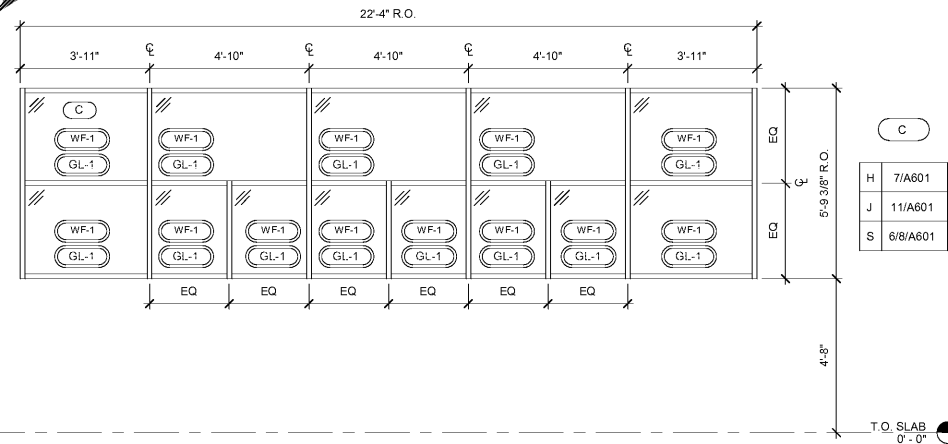
SHEET NUMBER
A600
 ISSUED FOR PERMIT



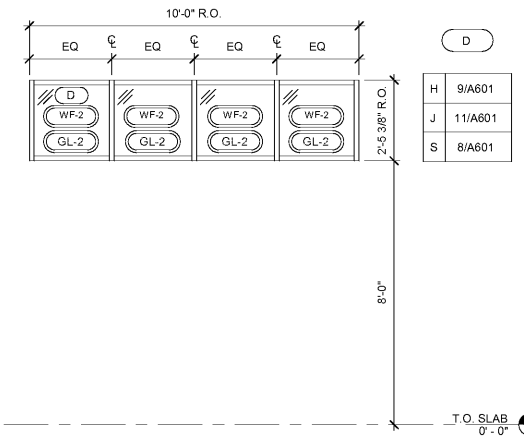
3 STOREFRONT ELEVATION A1/A2/A3
 3/8\"/>



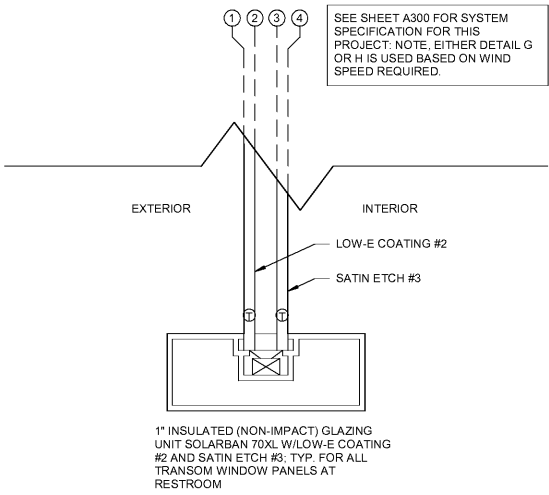
2 STOREFRONT ELEVATION B
 3/8\"/>



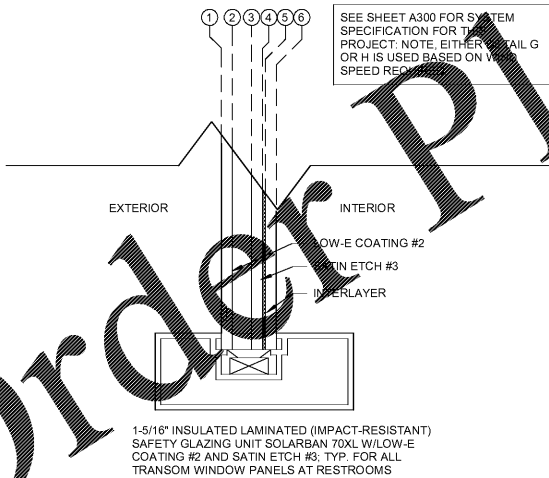
3 STOREFRONT ELEVATION C
 3/8\"/>



1 STOREFRONT ELEVATION D
 3/8\"/>



6M NON-IMPACT RATED SYSTEM
 6\"/>



5S IMPACT RATED SYSTEM
 6\"/>

Order Plans @ www.LDILine.com