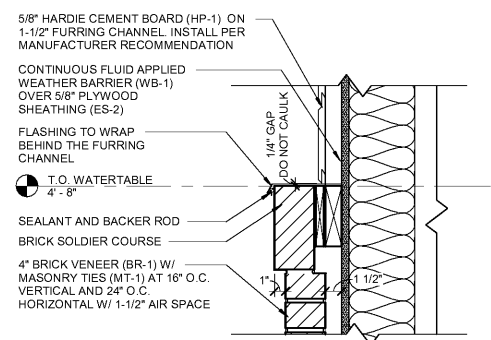


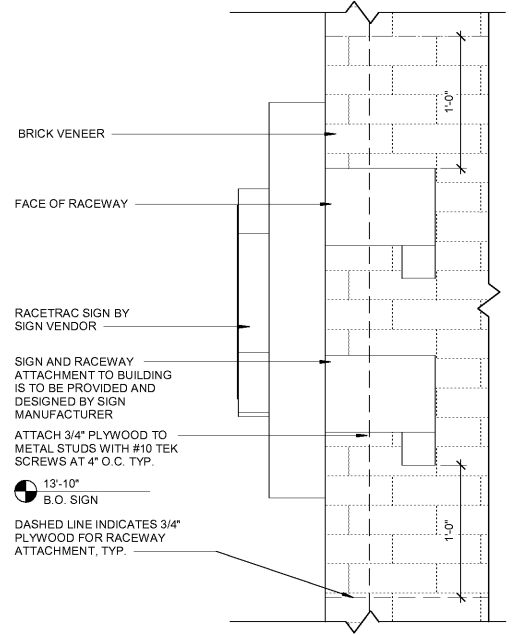
ISSUE/REVISION RECORD

DATE	DESCRIPTION
08/21/18	ISSUED FOR PERMIT

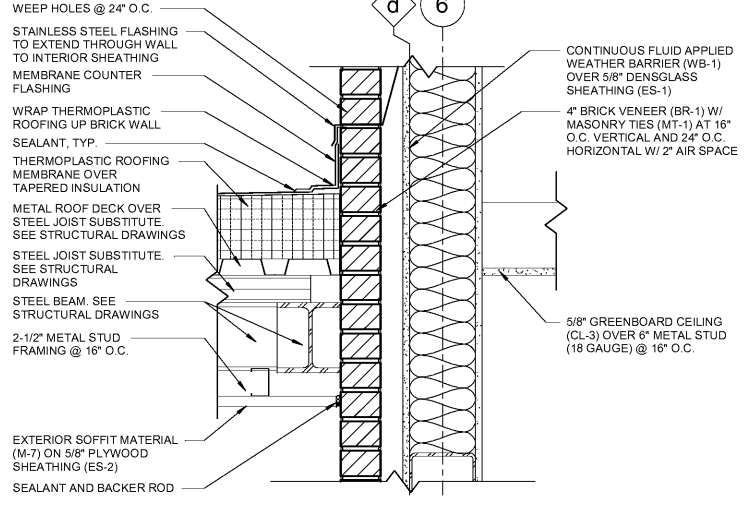
SPB NO.	DATE
STANDARD PLAN BULLETINS (SPB) MODIFY THE LISTED SPB REPRESENTS THE LATEST MODIFICATION INCORPORATED TO THIS PROTOTYPE SERIES SET AT ORIGINAL RELEASE. THE ISSUE/REVISION RECORD COLUMN ABOVE LISTS ANY REVISIONS OR SPB INCORPORATED IN THIS SET AFTER THE ORIGINAL RELEASE. CONTACT RACETRAC ENGINEERING AND CONSTRUCTION FOR ANY SUBSEQUENT BULLETINS NOT INCORPORATED HEREIN.	



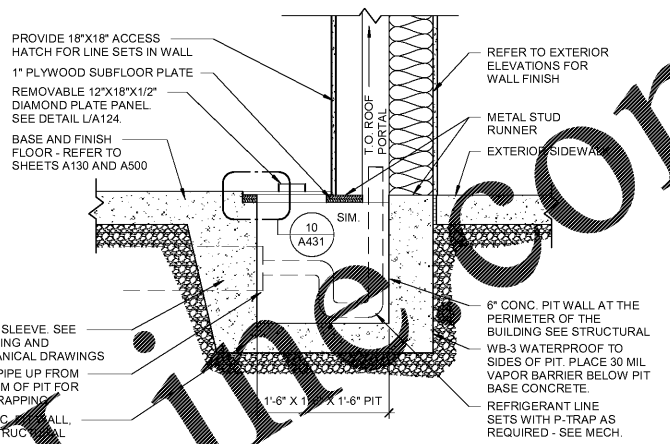
13 CORNER TOWER WATERTABLE
 1 1/2" = 1'-0"



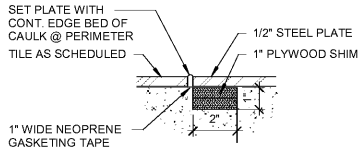
12 FRONT SIGNAGE DETAIL
 1 1/2" = 1'-0"



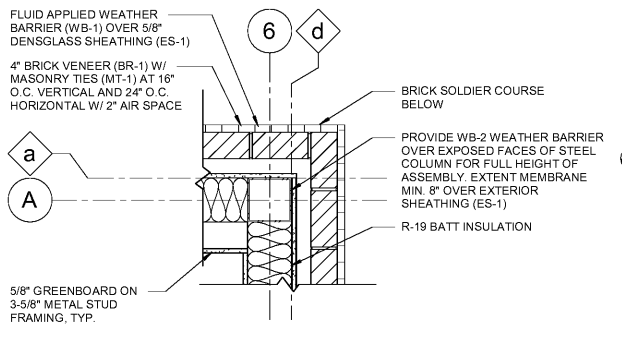
11 TYPICAL PATIO ROOF DETAIL
 1 1/2" = 1'-0"



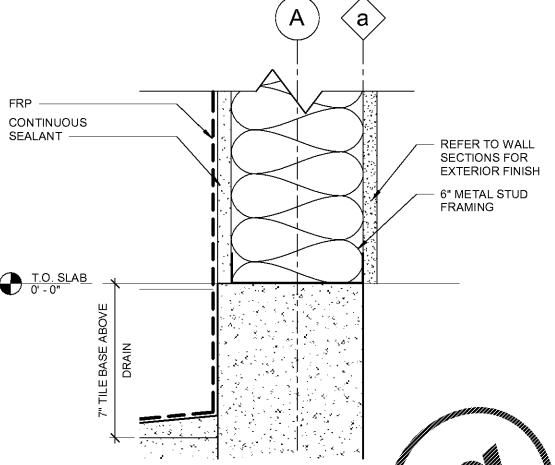
10 PIT SECTION DETAIL
 1" = 1'-0"



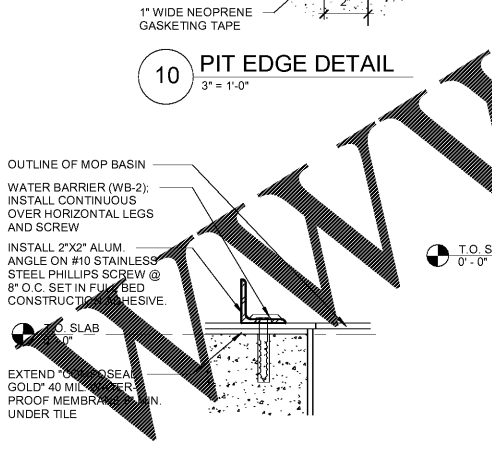
10 PIT EDGE DETAIL
 3" = 1'-0"



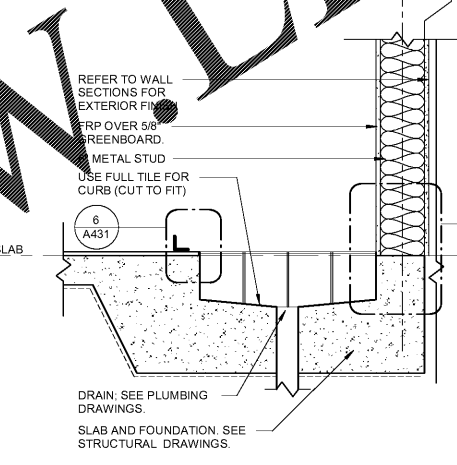
8 COLUMN DETAIL
 1" = 1'-0"



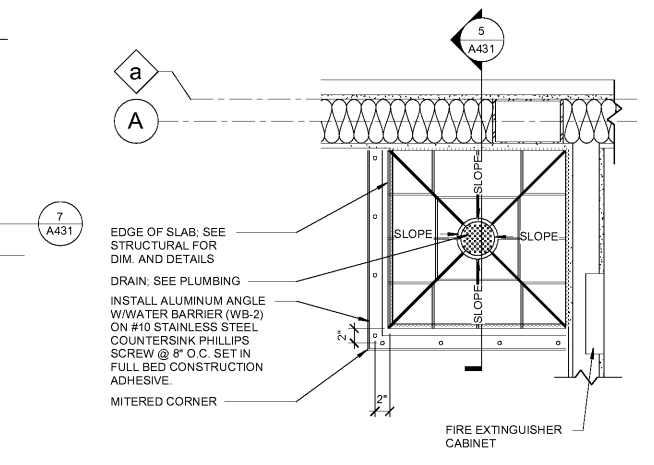
7 ENLARGED SECTION DETAIL
 3" = 1'-0"



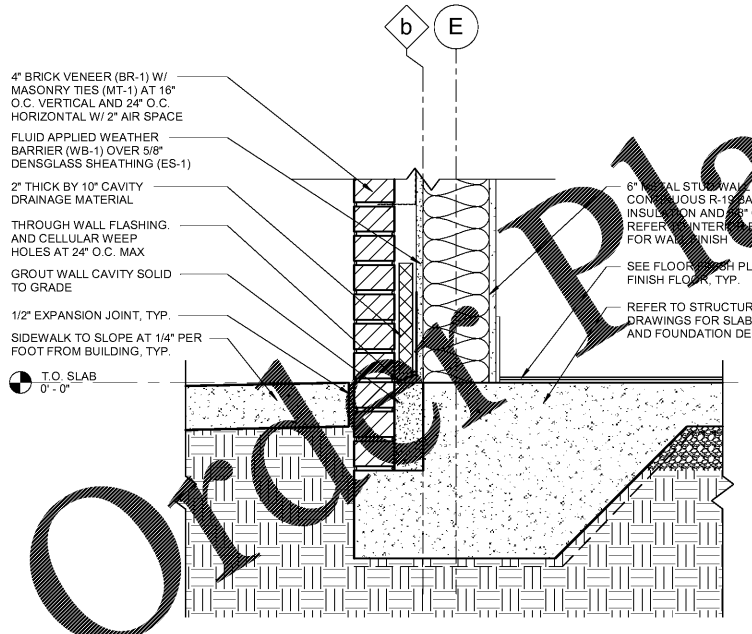
6 ENLARGED ALUMINUM ANGLE DETAIL
 3" = 1'-0"



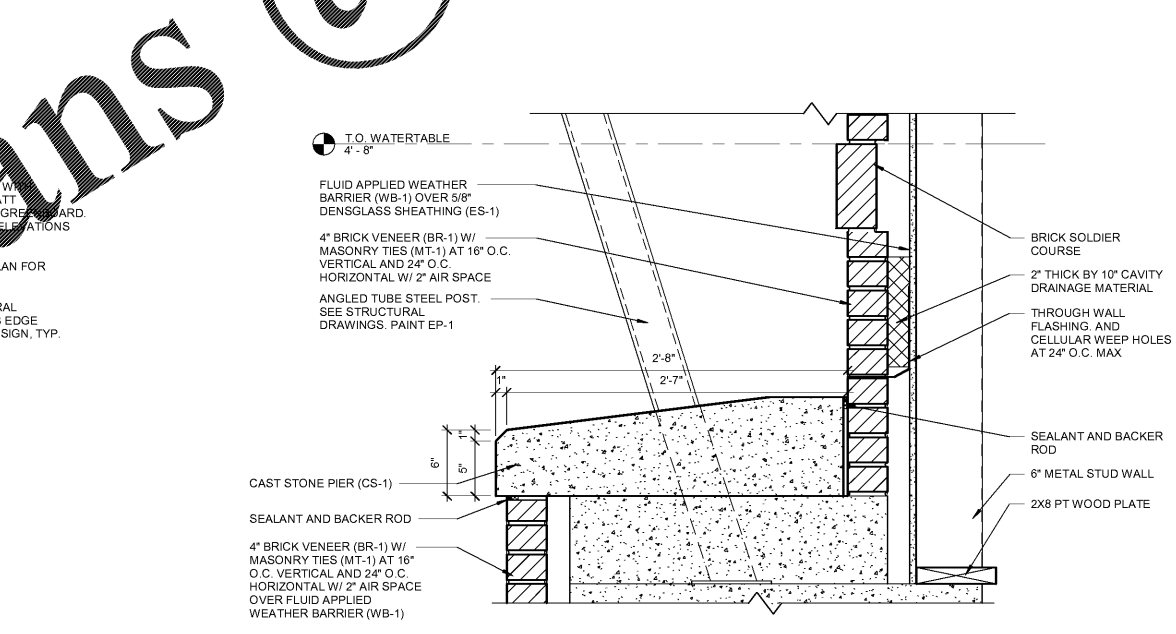
5 SECTION AT RECESSED MOP SINK
 1" = 1'-0"



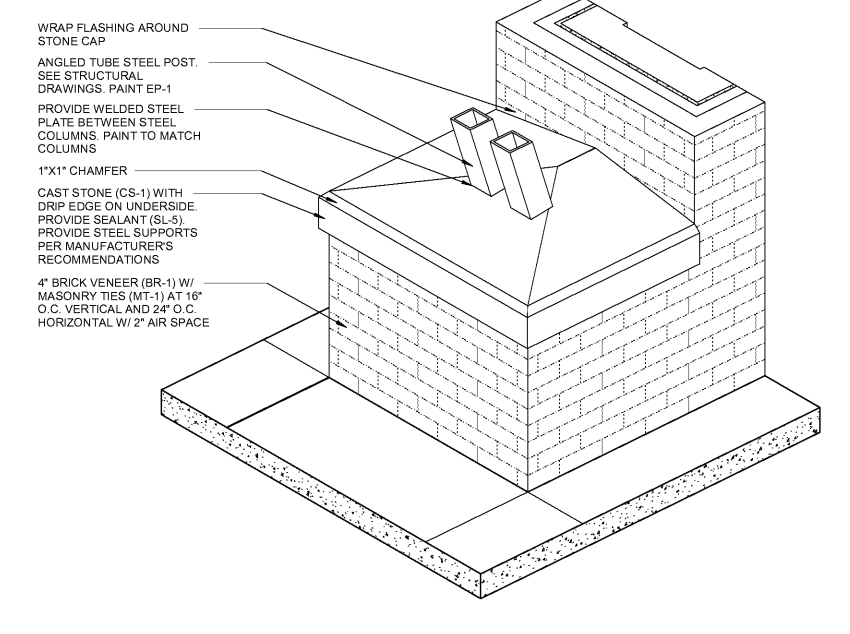
4 DETAIL AT RECESSED MOP SINK
 1" = 1'-0"



3 TYPICAL BRICK FOUNDATION
 1 1/2" = 1'-0"



2 CAST STONE PIER SECTION
 1 1/2" = 1'-0"



1 CAST STONE PIER AXONOMETRIC

Order Plans @