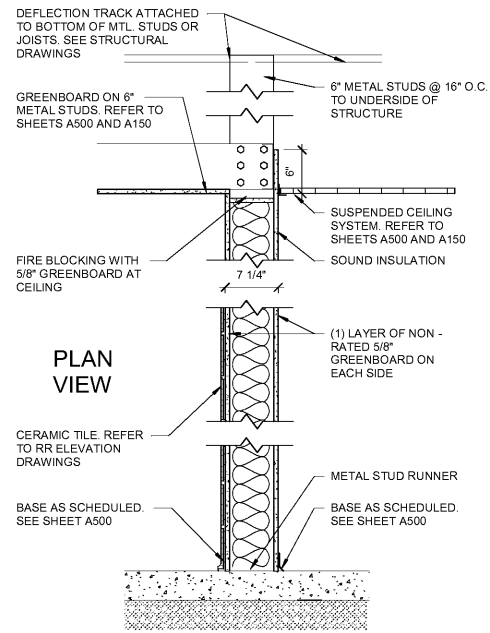
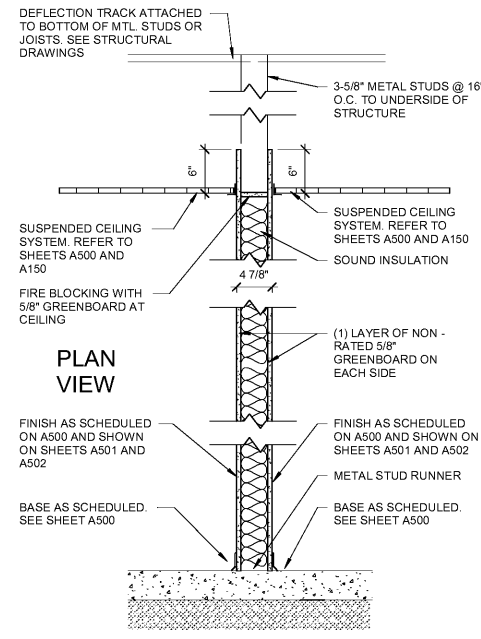


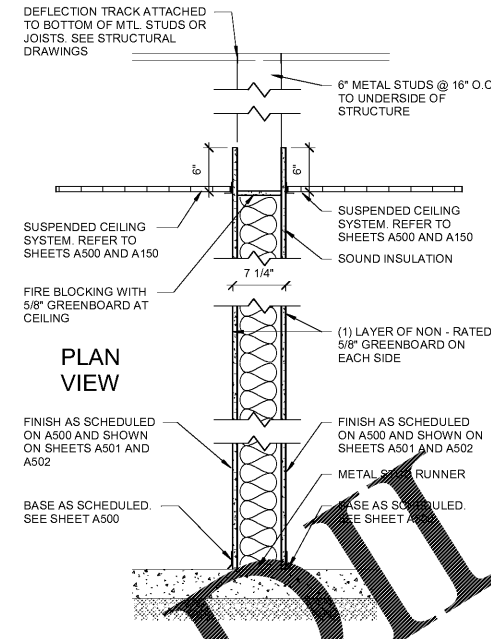
10 PARTITION TYPE P1
1" = 1'-0"



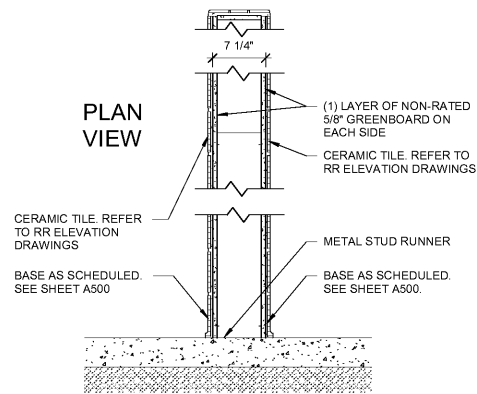
9 PARTITION TYPE P2
1" = 1'-0"



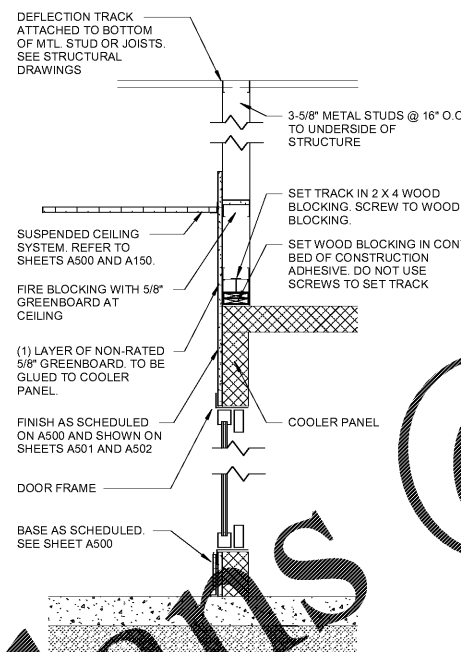
8 PARTITION TYPE P3
1" = 1'-0"



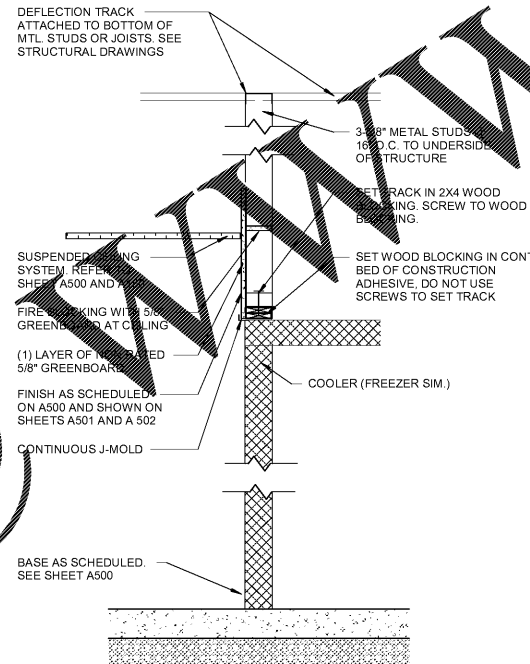
7 PARTITION TYPE P4
1" = 1'-0"



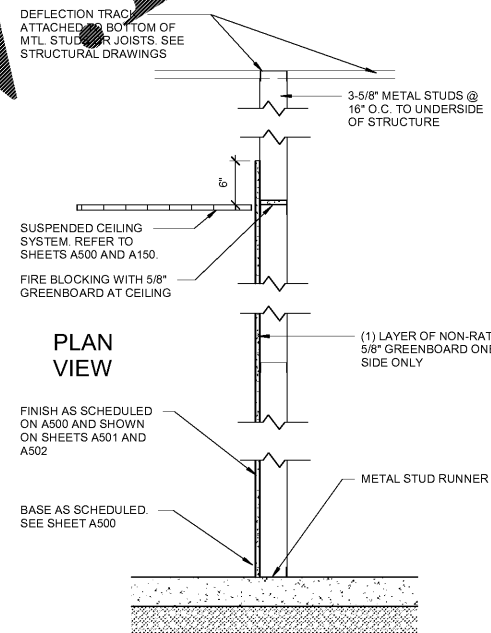
6 PARTITION TYPE P5
1" = 1'-0"



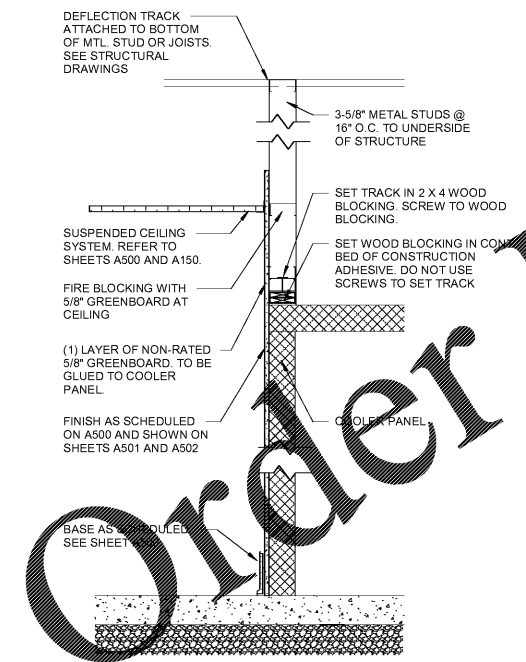
5 PARTITION TYPE P6
1" = 1'-0"



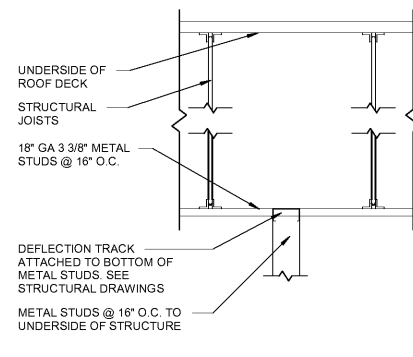
4 PARTITION TYPE P7
1" = 1'-0"



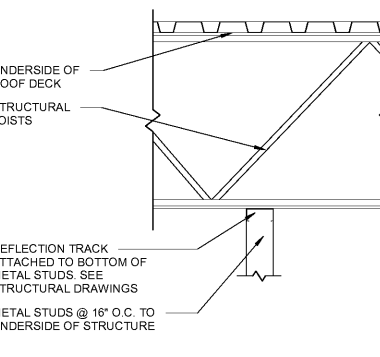
3 PARTITION TYPE P8
1" = 1'-0"



2 PARTITION TYPE P9
1" = 1'-0"



1 TYPICAL ATTACHMENT DETAILS
1" = 1'-0"



1 TYPICAL ATTACHMENT DETAILS
1" = 1'-0"

GENERAL NOTES

- DO NOT SCALE PLANS.
- ALL PARTITIONS ARE TO BE ATTACHED TO DEFLECTION TRACK AT THE BOTTOM CHORD OF THE ROOF JOIST OR TO A UNISTRUT. NO PARTITIONS SHALL BE ANCHORED TO THE METAL ROOF DECK.
- SEE SHEETS A500, A501 AND A502 FOR FINISHES.
- SEE SHEET A150 FOR CEILING HEIGHTS AND MATERIAL.
- USE 5/8" PLYWOOD IN LIEU OF GREENBOARD AS REQUIRED FOR SHELVEING ATTACHMENT.
- SEE A501 AND A502 FOR LOCATIONS OF PLYWOOD TO BE PROVIDED BEHIND WALL HUNG EQUIPMENT.
- PROVIDE ADDITIONAL LAYER OF 1/4" GYPSUM BOARD OVER PLYWOOD WHERE WALL COVERING IS REQUIRED.
- SEE EXTERIOR ELEVATIONS FOR EXTERIOR WALL TYPES.
- SEE STRUCTURAL DRAWINGS FOR LIGHT GAUGE FRAMING REQUIREMENTS.

NOTE:
FIRE BLOCKING FOR 'TYPE V' CONSTRUCTION: FIRE BLOCKING SHOULD BE INSTALLED IN AREAS WHICH MAY INCLUDE, BUT ARE NOT LIMITED TO, CONCEALED SPACES OF THE STUD WALLS AND PARTITIONS, INCLUDING FINISHED SPACES AND PARTIAL ROWS OF STUDS OR STAGGERED STUDS, AS FOLLOWS:
A. VERTICALLY AT THE CEILING
B. HORIZONTALLY AT INTERVALS NOT EXCEEDING 10'-0", PROVIDE 5/8" GREENBOARD.

RaceTrac

THESE PLANS ARE SUBJECT TO FEDERAL COPYRIGHT LAWS. ANY USE OF SAME WITHOUT THE EXPRESSED WRITTEN PERMISSION OF RACETRAC PETROLEUM, INC. IS PROHIBITED. 2016 RACETRAC PETROLEUM, INC.

DESIGN PROFESSIONALS



ARCHITECTURE
ENGINEERING

3680 Pleasant Hill Road
Suite 200
Duluth, Georgia 30096
p 770.622.9858
f 770.622.9535
www.hillfoleyrossi.com

© Copyright (as stated below)
This drawing and all information thereon are the property of Hill Foley Rossi & Associates, LLC (HFR). It is intended for the use of the project named herein. Reproduction without the written consent of HFR is prohibited. All rights are to be reserved to HFR upon project completion.

ISSUE/REVISION RECORD

DATE	DESCRIPTION
08/21/18	ISSUED FOR PERMIT

RaceTrac

RACETRAC PETROLEUM, INC.
200 GALLERIA PARKWAY SOUTHEAST
SUITE 900
ATLANTA, GEORGIA 30339
(770) 431-7600

PROJECT NAME

EAST MAIN STREET

CARTERSVILLE GEORGIA

1325 E. MAIN ST.
CARTERSVILLE, GA 30121

RACETRAC STORE NUMBER

1310

PROTOTYPE SERIES 5.5K 2.0

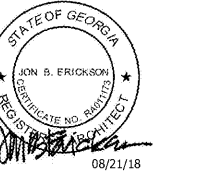
2018 RH MO

PLAN MODIFICATION NOTICE

SPB NO.	DATE
---------	------

STANDARD PLAN BULLETINS (SPB) MODIFY THE PROTOTYPE SERIES SET NOTED ABOVE. THE LISTED SPB REPRESENTS THE LATEST MODIFICATION INCORPORATED TO THIS PROTOTYPE SERIES SET AT ORIGINAL RELEASE. THE ISSUE/REVISION RECORD COLUMN ABOVE LISTS ANY REVISIONS OR SPB INCORPORATED IN THIS SET AFTER THE ORIGINAL RELEASE. CONTACT RACETRAC ENGINEERING AND CONSTRUCTION FOR ANY SUBSEQUENT BULLETINS NOT INCORPORATED HEREIN.

PROFESSIONAL SEAL



PROJECT NUMBER

18.714.00

SHEET TITLE

PARTITION TYPES

SHEET NUMBER

A111

ISSUED FOR PERMIT