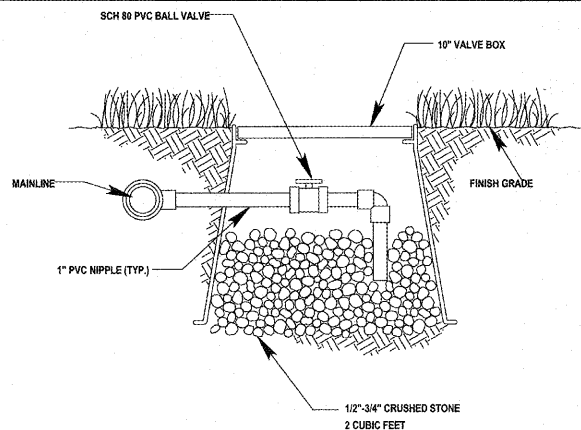
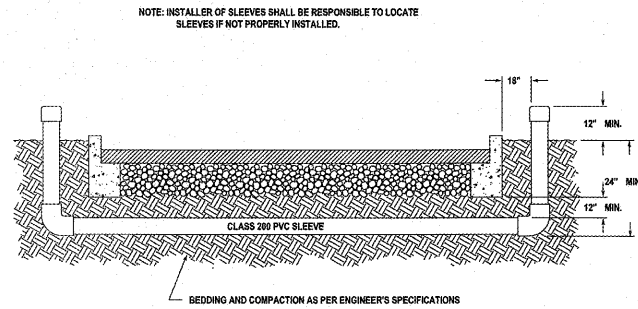


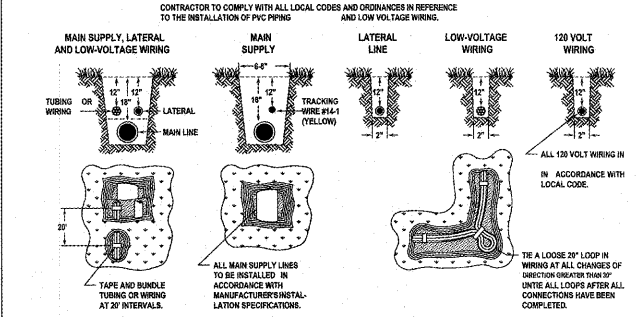
Drawing name: L:\005031 - RaceTrac - Cartersville (E Main Street)_GACADDIBY - OTHERS\2018-08-17 - IRRIGATION\PRACETRAC_Cartersville_IRR-9618RACETRAC_Cartersville_IRR-9618.DWG IRRIGATION DETAILS Sep 18, 2018 10:02am By: tredd.anderson



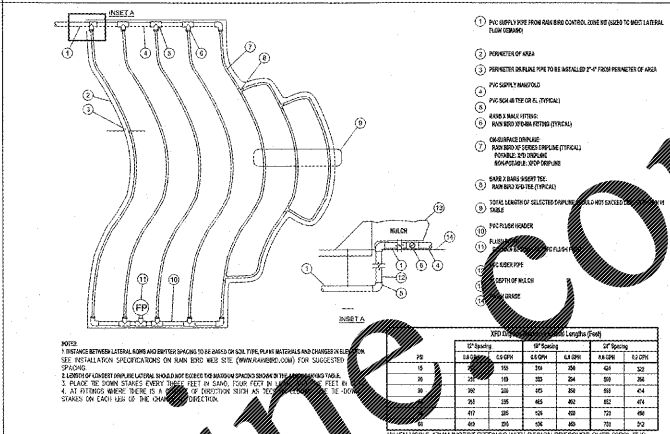
1 MANUAL DRAIN VALVE
L2.2 NTS



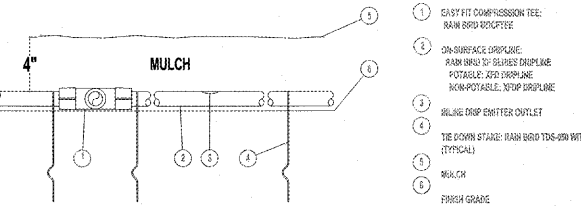
2 SLEEVING
L2.2 NTS



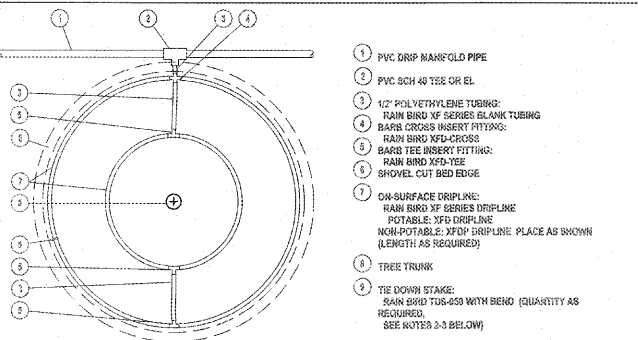
3 TRENCHING
L2.2 NTS



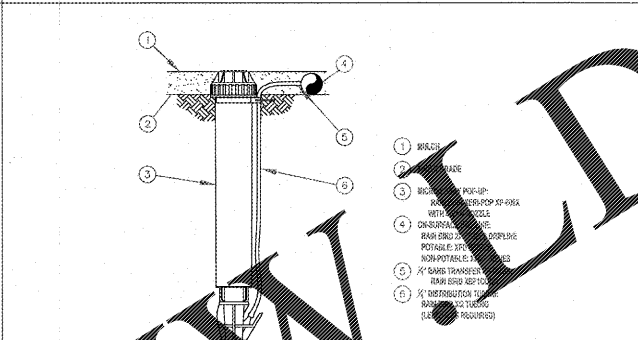
4 MANUAL DRAIN VALVE
L2.2 NTS



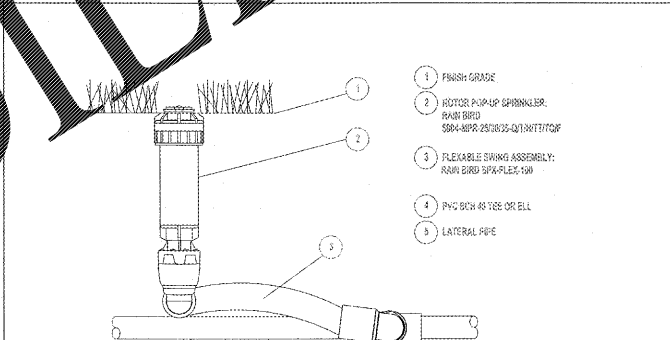
5 LANDSCAPE DRIPLINE ON GRADE
L2.2 NTS



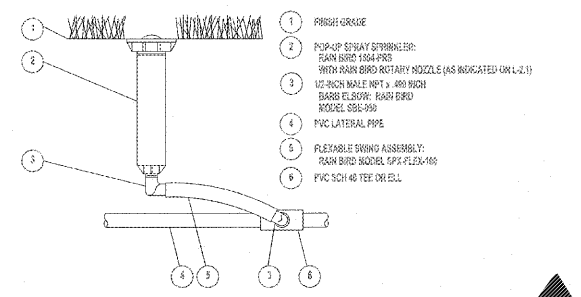
6 DRIP LAYOUT AROUND TREES IN TURF AREA
L2.2 NTS



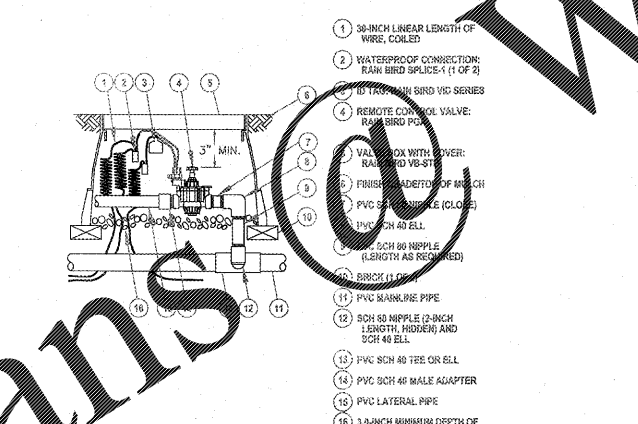
7 DRIPLINE OPERATION INDICATOR
L2.2 NTS



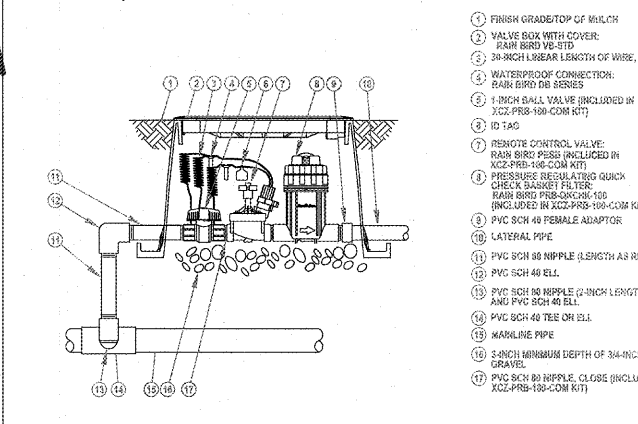
8 ROTOR POP-UP SPRINKLER: 5004-MPR NOZZLE
L2.2 NTS



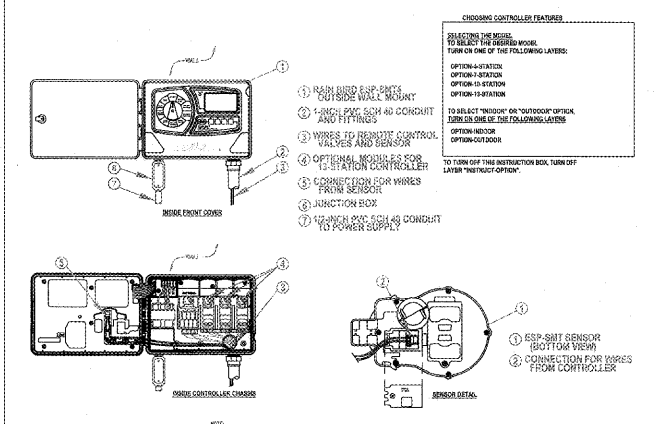
9 ROTARY NOZZLE: 1804 POP-UP SPRAY SPRINKLER
L2.2 NTS



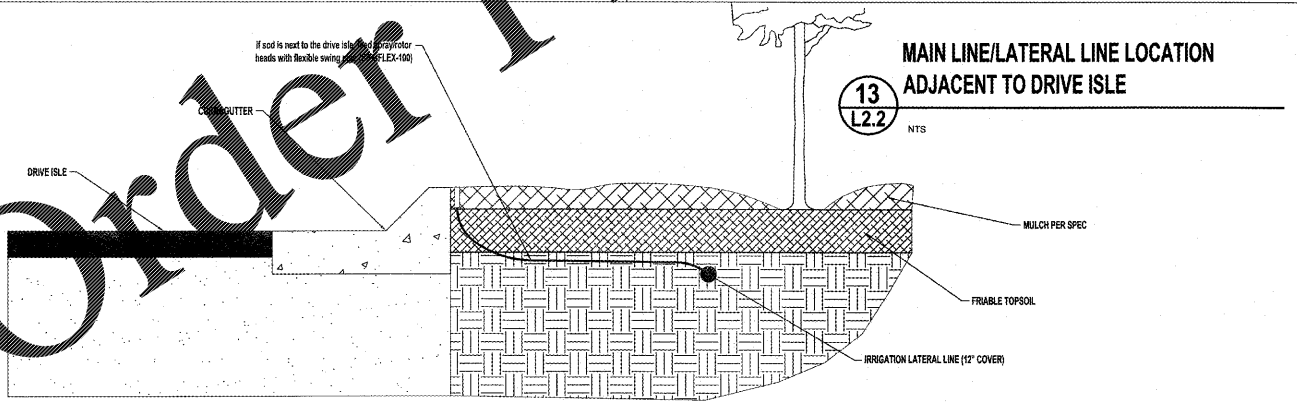
10 TURF VALVE PGA-PRS-D
L2.2 NTS



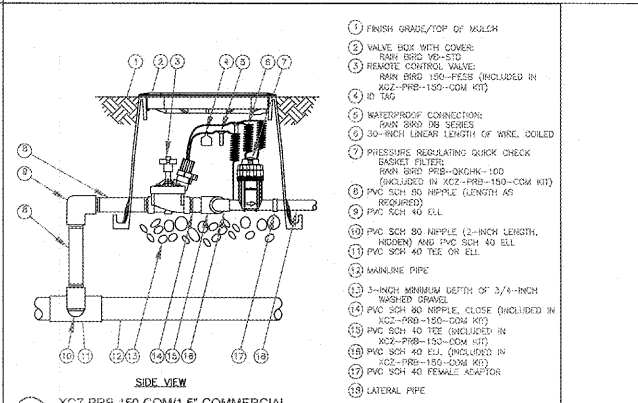
11 DRIP VALVE: XCZ-PRB-100-B-COM
L2.2 NTS



12 SMART CONTROLLER: ESP-LXME
L2.2 NTS



13 MAIN LINE/LATERAL LINE LOCATION ADJACENT TO DRIVE ISLE
L2.2 NTS



14 DRIP VALVE: XCZ-PRB-150-COM/1.5\"/>

Order Plans

NOTE: ALL QUANTITIES ARE FOR A GENERAL GUIDE ONLY. CONTRACTOR SHALL CONFIRM ALL QUANTITIES PRIOR TO BIDDING AND INSTALLATION. LEICRAW ENGINEERING, INC. SHALL TAKE NO RESPONSIBILITY FOR THE ACCURACY OF THE QUANTITIES PROVIDED.



DATE	BY	REVISIONS
5/31/18	TAA	1
8/08/18	TAA	2
9/05/18	TAA	3
CITY COMMENTS	CITY COMMENTS	CITY COMMENTS
NO.	NO.	NO.

PREPARED IN THE OFFICE OF:
LEICRAW ENGINEERING, INC.
475 CORPORATE WAY, SUITE A
CARTERSVILLE, GA 30130
PHONE: 678-245-8100 FAX: 770-441-0988
WWW.LEICRAWENGINEERING.COM
PER0518

THESE PLANS ARE THE PROPERTY OF LEICRAW ENGINEERING, INC. ANY USE OF THESE PLANS WITHOUT THE WRITTEN PERMISSION OF LEICRAW ENGINEERING, INC. IS PROHIBITED.

RaceTrac
RACETRAC PETROLEUM, INC.
200 GALLERIA PKWY, SUITE 900
ATLANTA, GA 30339
(770) 431-7600

DATE	JOB NO.
03/28/2018	005031
DATE	SCALE
03/28/2018	AS SHOWN
DATE	DRAWN
03/28/2018	TAA
DATE	SHEET NO.
03/28/2018	1

RACETRAC MARKET
1328 E. MAIN STREET
CARTERSVILLE, BARTOW COUNTY, GEORGIA
LAND LOT 396, 4TH DISTRICT, 3RD SECTION, PARCEL C098-0360-001