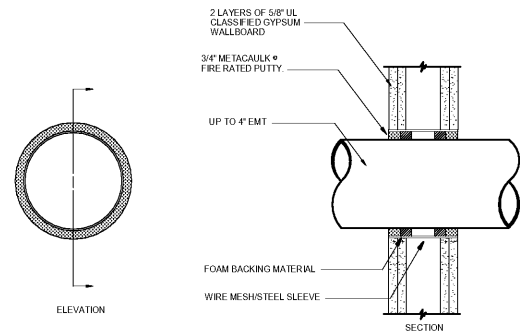
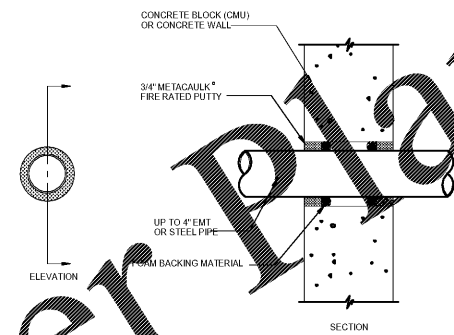


1 DETAIL - GROUND CABLE TO BUS BAR  
E601 SCALE: NONE



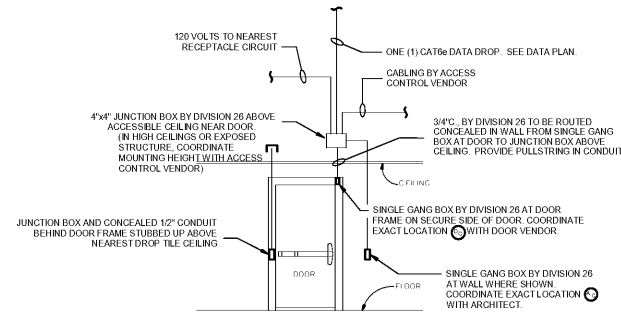
NOTE: WHERE CONDUIT IS USED AS A SLEEVE FOR ROUTING LOW VOLTAGE CABLES THROUGH A RATED WALL, LOCATE CONDUCTORS IN CENTER OF SLEEVE AND FILL OPENING WITH FIRE RATED PUTTY AT EACH END OF SLEEVE.

2 DETAIL - GYPSUM WALLBOARD PENETRATION  
E601 SCALE: NONE

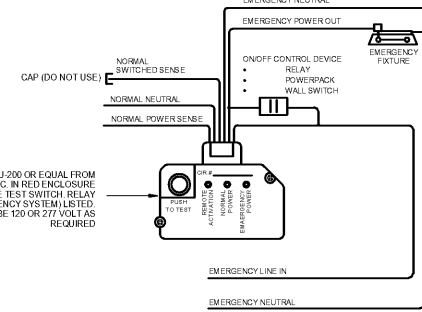


NOTE: WHERE CONDUIT IS USED AS A SLEEVE FOR ROUTING LOW VOLTAGE CABLES THROUGH A RATED WALL, LOCATE CONDUCTORS IN CENTER OF SLEEVE AND FILL OPENING WITH FIRE RATED PUTTY AT EACH END OF SLEEVE.

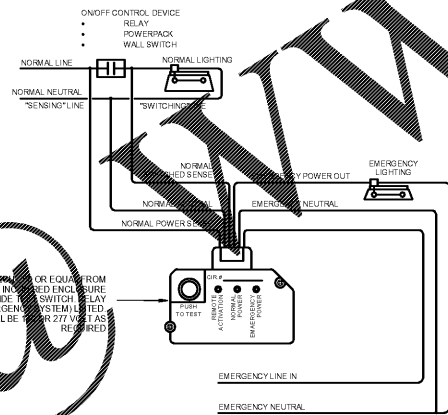
3 DETAIL - CONCRETE WALL PENETRATION  
E601 SCALE: NONE



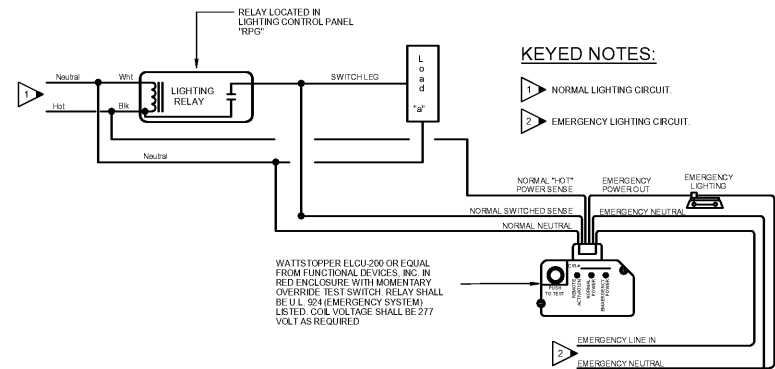
4 DETAIL - DOOR ACCESS CONTROL  
E601 SCALE: NONE



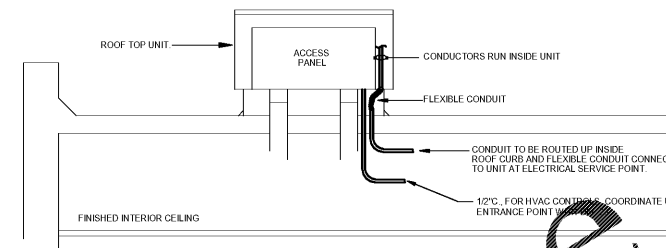
5 "BY-PASS" OPERATION EMERGENCY LIGHTING CONTROL UNIT - DETAIL  
E601 SCALE: NONE



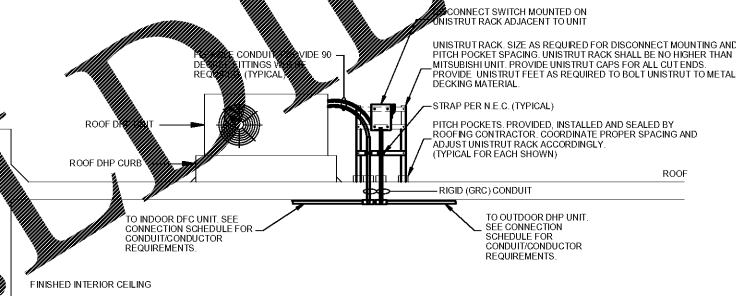
6 "NORMAL" LIGHTING SWITCHED EMERGENCY LIGHTING CONTROL UNIT - DETAIL  
E601 SCALE: NONE



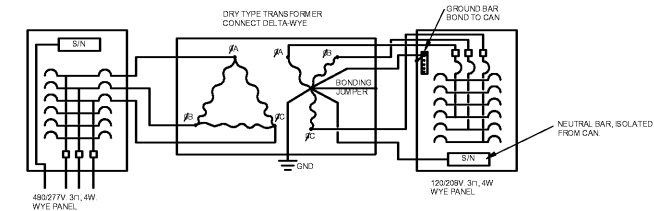
7 RELAY CONTROLLED EMERGENCY OVERRIDE WIRING DIAGRAM  
E601 SCALE: NOT TO SCALE



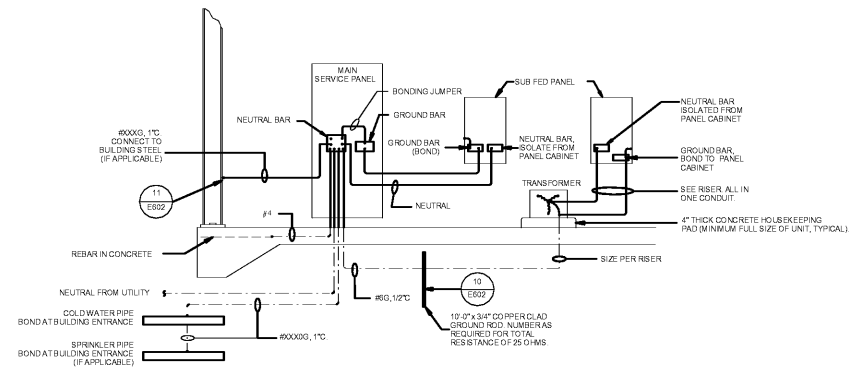
8 DETAIL - ROOF TOP UNIT WITH FACTORY SUPPLIED DISCONNECT  
E601 SCALE: NONE



9 DETAIL - DHP ROOF TOP UNIT DISCONNECT MOUNTING  
E601 SCALE: TYPICAL FOR ALL DHP ROOF TOP UNITS



10 DETAIL - DRY TYPE TRANSFORMER CONNECTION  
E601 SCALE: NONE



11 DETAIL - SERVICE GROUNDING  
E601 SCALE: NONE

REVISIONS			
REV #	DATE	APPRD BY	REVISION
11/02/18	MAP		STATE FINAL
11/20/18	MAP		ISSUE FOR BID

