

LEGEND

LIGHTING AND POWER

CONDUIT RUN CONCEALED ABOVE CEILING OR IN WALL CONTAINING 3 NUMBER 12 CONDUCTORS UNLESS SHOWN OTHERWISE. HASHMARKS, IF SHOWN, INDICATE QUANTITY OF NUMBER 12 CONDUCTORS. WHERE DRAWING SPACE PROHIBITS HASH MARKS BEING SHOWN REFER TO CIRCUIT NUMBERS AND PROVIDE REQUIRED NUMBER OF CONDUCTORS PER CIRCUIT TYPE.

CONDUIT RUN CONCEALED IN OR BELOW FLOOR SLAB, OR UNDERGROUND.

HOMERUN TO PANELBOARD, LETTER OR LETTERS INDICATE PANELBOARDS, NUMBERS INDICATE CIRCUIT NUMBERS.

EXPOSED CONDUIT RUN

LIGHTING FIXTURE, "2" INDICATES THE CIRCUIT NUMBER AND "E" THE FIXTURE TYPE. SEE FIXTURE SCHEDULE FOR DIMENSIONS AND MOUNTING TYPE.

LED FIXTURE, SURFACE OR STEM MOUNTED.

LED TROFFER FIXTURE. SEE FIXTURE SCHEDULE FOR DIMENSIONS AND MOUNTING TYPE.

LIGHTING FIXTURE, SURFACE WALL BRACKET MOUNTED. MOUNTING HEIGHT AS NOTED.

EXIT LIGHT

JUNCTION BOX, FLUSH WALL MOUNTED.

JUNCTION BOX LOCATED ABOVE CEILING OR BELOW GRADE.

DUPLEX CONVENIENCE OUTLET, +18" TO CENTER LINE OF OUTLET UNLESS OTHERWISE NOTED. "5" INDICATES THE CIRCUIT NUMBER.

DUPLEX CONVENIENCE OUTLET MOUNTED ABOVE COUNTER, AT +48" TO CENTERLINE OF OUTLET.

DUPLEX CONVENIENCE OUTLET, GFI TYPE, +18" TO CENTER LINE UNLESS OTHERWISE NOTED. "W" WHERE SHOWN INDICATES WEATHER-RESISTANT DEVICE WITH METAL IN-USE WEATHERPROOF COVER.

DUPLEX CONVENIENCE OUTLET, GFI TYPE, MOUNTED ABOVE COUNTER AT +48" TO CENTERLINE OF RECEPTACLE UNLESS NOTED OTHERWISE.

SPECIAL RECEPTACLE TO SUIT EQUIPMENT FURNISHED.

QUADRI-RECEPTACLE, +18" TO CENTER LINE OF OUTLET UNLESS OTHERWISE NOTED.

QUADRI-RECEPTACLE, +48" TO CENTER LINE OF OUTLET UNLESS OTHERWISE NOTED.

QUADRI-RECEPTACLE, CONNECTED TO EMERGENCY POWER, +18" TO CENTER LINE OF OUTLET UNLESS OTHERWISE NOTED.

SINGLE POLE TOGGLE SWITCH, 48" MOUNTING HEIGHT.

THREE OR FOUR WAY SWITCH AS INDICATED +48" MOUNTING HEIGHT.

KEY OPERATED SINGLE POLE TOGGLE SWITCH, +48" MOUNTING HEIGHT.

0-10 VOLT, LOW VOLTAGE DIMMER FOR L.E.D. FIXTURES. MOUNT AT +48" ABOVE FINISHED FLOOR.

0-10 VOLT, LOW VOLTAGE DIMMER WITH OCCUPANCY SENSOR FOR L.E.D. FIXTURES. MOUNT AT +48" ABOVE FINISHED FLOOR.

EMERGENCY OVERRIDE LIGHTING RELAY "BYPASS" SEE 5E601.

EMERGENCY OVERRIDE LIGHTING RELAY "NORMAL" SEE 6E601.

PANELBOARD. SEE SCHEDULE.

DISCONNECT SWITCH. SIZE AS NOTED ON DRAWINGS. FUSED PER MANUFACTURER'S NAME PLATE DATA OF EQUIPMENT SERVED.

MOTOR

WALL MOUNTED 120V HAND DRYER. COORDINATE EXACT HEIGHT WITH ARCHITECTURAL ELEVATIONS PRIOR TO ROUGH-IN.

FIRE ALARM SYSTEM

SIGNAL HORN AND STROBE LIGHT, +6'-10" MOUNTING HEIGHT TO CENTER OF DEVICE.

STROBE LIGHT, 6'-10" MOUNTING HEIGHT TO CENTER OF DEVICE.

FULL STATION, WALL MOUNTED +48" ABOVE FLOOR TO CENTER OF DEVICE.

FIRE ALARM CONTROL PANEL, SURFACE WALL MOUNTED.

SMOKE DETECTOR, CEILING MOUNTED.

FIRE ALARM LCD REMOTE ALPHANUMERIC ANNUNCIATOR, FLUSH WALL MOUNTED.

DUCT SMOKE DETECTOR, LOCATED AT HVAC UNIT OR UP STREAM OF SMOKE DAMPER. CONSULT DIVISION 16 DRAWINGS PRIOR TO ROUGH-IN.

TAMPER SWITCH, FURNISHED AND INSTALLED WITH SPRINKLER SYSTEM. INTERLOCK WITH FIRE ALARM SYSTEM BY ELECTRICAL.

FLOW SWITCH, FURNISHED AND INSTALLED WITH SPRINKLER SYSTEM. INTERLOCK WITH FIRE ALARM SYSTEM BY ELECTRICAL.

TELEPHONE / DATA SYSTEMS (CABLING AND OUTLETS ARE N.I.C.)

PLYWOOD BACKBOARD "TB" INDICATES TELECOMMUNICATIONS BOARD.

DATA OUTLET, +18" TO CENTER LINE OF OUTLET UNLESS NOTED OTHERWISE. STUB UP 1" TO CEILING SPACE ABOVE.

DATA OUTLET, +48" TO CENTER LINE OF OUTLET UNLESS NOTED OTHERWISE. STUB UP 1" TO CEILING SPACE ABOVE.

INTRUSION ALARM

INTRUSION ALARM, KEY PAD +48" MOUNTING HEIGHT.

SOUND SYSTEM

SPEAKER FLUSH WALL MOUNTED. SWING FOR MOUNTING HEIGHT. "W" WHERE SHOWN INDICATES EXTERIOR WEATHER-RESISTANT SPEAKER.

ACCESS CONTROLS SYSTEM (DIVISION 26 TO PROVIDE AND INSTALL ALL CONDUIT, BACKBOXES, AND PULLSTRINGS AS NOTED BELOW)

ACCESS CONTROL KEYPAD LOCATION. PROVIDE SINGLE GANG, FLUSH WALL MOUNTED BOX +48" AFF WITH 1" C. AND PULLSTRING TO STUB-OUT 6" ABOVE NEAREST ACCESSIBLE CEILING. SEE DETAIL 4E601.

DOOR CONTACT POSITION SENSOR LOCATION. PROVIDE SINGLE GANG BOX BY DIVISION 26 AT DOOR FRAME ON SECURE SIDE OF DOOR. COORDINATE EXACT LOCATION WITH ACCESS CONTROL SYSTEM VENDOR. PROVIDE 3/4" C. WITH PULLSTRING FROM BOX TO STUB-OUT 6" ACCESSIBLE CEILING AT DOOR. SEE DETAIL 4E601.

OCCUPANCY SENSORS

SWITCH, WALL MOUNTED OCCUPANCY SENSOR (WATTS TOPPER PW-100 OR EQUAL).

DUAL TECHNOLOGY 360° OCCUPANCY SENSOR, CEILING MOUNTED. INFRARED/ULTRASONIC (WATTS TOPPER "DT" SERIES OR EQUAL). PROVIDE ALL NECESSARY COMPONENTS TO INSURE PROPER OPERATION (POWER PACKS, SLAVE PACKS, ETC.)

DUAL TECHNOLOGY OCCUPANCY SENSOR, CEILING MOUNTED AT CORNER UNLESS SHOWN OTHERWISE. INFRARED/ULTRASONIC (WATTS TOPPER "DT" SERIES OR EQUAL). PROVIDE ALL NECESSARY COMPONENTS TO INSURE PROPER OPERATION (POWER PACKS, SLAVE PACKS, ETC.)

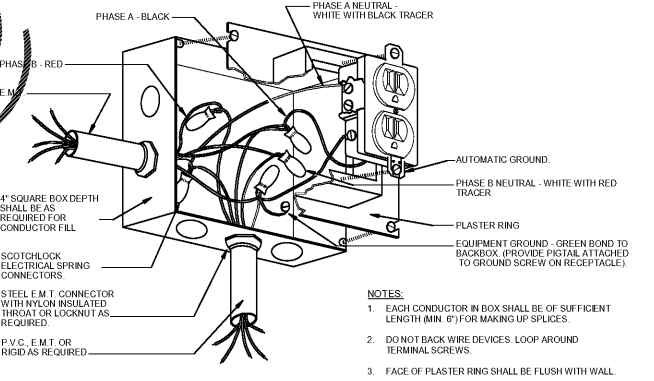
ULTRASONIC OCCUPANCY SENSOR, CEILING MOUNTED (WATTS TOPPER "UT" SERIES OR EQUAL). PROVIDE ALL NECESSARY COMPONENTS TO INSURE PROPER OPERATION (POWER PACKS, SLAVE PACKS, ETC.)

GENERAL NOTES:

- DO NOT SCALE DRAWINGS TO LOCATE EQUIPMENT OR OUTLETS.
- MOUNTING HEIGHTS AS INDICATED ON THE DRAWINGS SHALL BE FROM THE FINISHED FLOOR TO THE CENTER LINE OF THE OUTLET BOX.
- THE ELECTRICAL DRAWINGS ARE ONLY A PART OF THE CONTRACT DOCUMENTS. ALL OF THE DRAWINGS AND SPECIFICATIONS MUST BE REVIEWED FOR THEIR INTERRELATIONSHIP AND REQUIRED COORDINATION BETWEEN DISCIPLINES.
- 112 SYMBOL INDICATING ROOM OR SPACE NUMBER.
- IN AREAS WHERE DATA OUTLETS AND VOICE OUTLETS ARE LOCATED BENEATH A WINDOW, AND WINDOW PREVENTS THE ROUTING OF CONDUIT UP TO CEILING SPACE, CONDUIT SHALL BE ROUTED TO A WALL WHICH ALLOWS CONDUIT TO RISE UP TO CEILING SPACE.
- ALL CONDUIT ROUTED FROM DISCONNECT TO EXTERIOR HVAC UNITS SHALL BE ROUTED UNDERGROUND. TURN UP ADJACENT TO UNIT AND MAKE TRANSITION TO STEELTITE TO SERVE UNIT. CONDUIT SHALL BE ROUTED CONCEALED IN WALL. SEE DETAIL 6E602.
- ALL FLUSH RECESSED OUTLET BOXES SHALL BE INSTALLED SUCH THAT FRONT EDGE OF BOX WILL NOT BE SET BACK OF THE FINISHED SURFACE MORE THAN 1/4" IN ORDER TO COMPLY WITH N.E.C. 314.20. SUPPORT OF OUTLET BOX BY RECEPTACLE AND COVERPLATE IS NOT ACCEPTABLE.
- ALL CONDUIT, OUTLET BOXES, AND LOW VOLTAGE CABLING SHALL BE APPROPRIATELY SUPPORTED THROUGHOUT THE PROJECT. SUPPORT OF THESE ITEMS BY CEILING GRID OR GRID SUPPORT WIRES IS NOT ACCEPTABLE.
- ALL LIGHT FIXTURES SHALL BE TYPE "A" UNLESS OTHERWISE NOTED.
- ALL EXTERIOR DISCONNECTS SHALL BE RATED NEMA 3R. ALL DISCONNECTS SHALL BE HEAVY DUTY TYPE, FUSIBLE, WITH EQUIPMENT GROUND BAR.
- COORDINATE EXACT LOCATION OF ALL MECHANICAL AND PLUMBING EQUIPMENT WITH MECHANICAL AND PLUMBING CONTRACTOR PRIOR TO ROUGH-IN. ADJUST LOCATION OF DISCONNECTING MEANS AND BRANCH CIRCUITRY AS REQUIRED.
- PRIOR TO PROJECT COMPLETION, ELECTRICAL CONTRACTOR SHALL OBTAIN FINAL SPACE NUMBERS FROM OWNER AND/OR ARCHITECT. TYPEWRITTEN PANELBOARD DIRECTORIES SHALL REFLECT SPACE DESIGNATION OF EACH CIRCUIT. NO EXCEPTIONS.
- REFER TO SPECIFICATIONS FOR HANGER SUPPORT WIRES REQUIRED FOR FIXTURES.
- ALL CONDUIT ROUTED FROM SLAB UP TO PANELS AND EXPOSED CONDUIT ROUTED BELOW +48" AFF SHALL BE GALVANIZED RIBBON STEEL.
- PROVIDE CONCRETE HOUSEKEEPING CURB AT ALL TRANSFORMERS AND PANELBOARDS.
- PRIOR TO ROUGH-IN OF OUTLETS, COORDINATE AN ON SITE MEETING TO REVIEW EXACT LOCATIONS WITH FURNITURE PLAN.
- ALL LOW VOLTAGE CABLING ROUTED UNDERGROUND SHALL BE WEST PENN "AQUASEAL" OR EQUIVALENT. LOW VOLTAGE CABLING NOT IN CONDUIT SHALL BE PLENUM RATED.
- ALL EMPTY CONDUITS SHALL BE PROVIDED WITH PULL STRINGS WITH ID TAG INDICATING TERMINATION LOCATION LABEL AT EACH END.
- ELECTRICAL CONTRACTOR SHALL WARRANT ALL EQUIPMENT AND INSTALLATION OF SUCH FOR TWO (2) YEARS FROM DATE OF PROJECT ACCEPTANCE. WARRANTY APPLIES TO ENTIRE DIVISION 26 SCOPE.
- SEE SPECIFICATIONS FOR COLORED TRACER REQUIRED ON ALL NEUTRAL CONDUCTORS FOR LIGHTING AND RECEPTACLE CIRCUITS.
- ROUTE NEUTRAL CONDUCTOR DOWN TO SWITCH BOX CONTAINING ALL MOUNTED OCCUPANCY SENSORS, CAP OFF CONDUCTOR IF NOT NEEDED.
- PROVIDE 120 VOLT POWER CONNECTION TO INTRUSION SYSTEM. MOUNT IN 1/2" TUB OUT FOUR (4) IN CONDUITS FROM CONTROL PANEL TO EXTERIOR TERMINATE EXACT LOCATION WITH INSTALLER.
- OCCUPANCY SENSORS AND LOW VOLTAGE RELAY PANELS CONTROLLING LIGHTS SHALL BE FULLY FACTORY COMMISSIONED. REFER TO SPECIFICATIONS.
- COORDINATE EXACT MOUNTING HEIGHTS OF ALL EXTERIOR FIXTURES, EXTERIOR SPEAKERS AND EXTERIOR CCTV CAMERAS WITH ARCHITECTURAL ELEVATIONS. (APPX 412 AFF) REFER TO ARCHITECTURAL ELEVATIONS PRIOR TO ROUGH-IN.
- FOR ALL DISCONNECTS AND PANELS, LABELING OF ALL JUNCTION BOX COVERS AS WELL AS I.D. TAGS FOR DISCONNECTS AND PANELS.
- ALL GROUNDING STRIPS, CONDUCTORS #6 AND SMALLER SHALL HAVE A CONTINUOUS WHITE OR GRAY OUTER FINISH. CONDUCTOR INSULATION.
- ALL EQUIPMENT GROUNDING CONDUCTORS #6 AND SMALLER SHALL HAVE A CONTINUOUS GREEN OUTER FINISH ON THE CONDUCTOR INSULATION.
- CONTRACTOR IS TO INCLUDE IN HIS BASE BID INSTALLATION OF ALL ATTIC STOCK ITEMS AT NO ADDITIONAL COST TO OWNER. SEE E201, E401, AND E402 FOR ATTIC STOCK.
- ALL OCCUPANCY SENSORS SHALL HAVE AN EXTRA SET OF OUTPUT CONTACTS FROM SENSOR/POWER PACK OR CONNECTION CONTROL OF HVAC EQUIPMENT.
- FIRE ALARM CONDUIT SHALL BE RED IN COLOR.
- ALL RECEPTACLES FED FROM PANEL LEG SHALL BE RED IN COLOR.
- MOUNT ALL OCCUPANCY SENSOR POWER PACKS IN CLASSROOMS ON WALL ABOVE CEILING DIRECTLY ABOVE LIGHT SWITCHES.

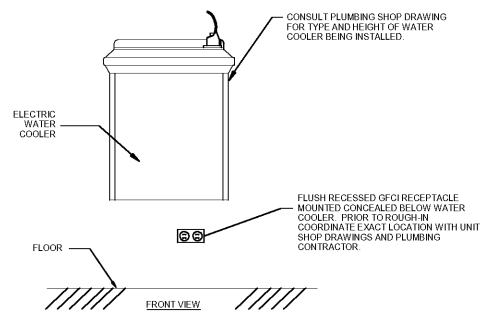
FIXTURE SCHEDULE

TYPE	DESCRIPTION	MANUFACTURER
A	2' x 4' RECESSED CEILING GRID TYPE TROFFER WITH SINGLE PIECE ROUNDED SATIN WHITE LENS FOR WIDE VOLUME TRIC DISTRIBUTION LENS AND STEEL HOUSING. LAMPS: L.E.D. WITH MINIMUM 4800 DELIVERED LUMENS AND MAXIMUM 52 WATTS AT 4000K. DRIVER: 10% 0-10V DIMMABLE MULTIVOLT ELECTRONIC.	LITHONIA "2FL4" SERIES METALUX "7"R" SERIES H.E. WILLIAMS "OV" SERIES VIBROREINGS "LTP" SERIES CRACKLE "SDF" LED OR PREAPPROVED EQUAL
B	2' x 4' RECESSED CEILING GRID TYPE EDGE-LIT FLAT PANEL FIXTURE WITH SINGLE PIECE INJECTION FRAME AND SMOOTH WHITE LENS. LAMPS: L.E.D. WITH MINIMUM 4000 DELIVERED LUMENS AND MAXIMUM 41 WATTS AT 4000K. DRIVER: 10% 0-10V DIMMABLE MULTIVOLT ELECTRONIC.	LITHONIA "2FL4" SERIES METALUX "7"R" SERIES CRACKLE "SDF" LED OR PREAPPROVED EQUAL
BG	2' x 4' RECESSED CEILING GRID TYPE EDGE-LIT FLAT PANEL FIXTURE WITH SINGLE PIECE INJECTION FRAME AND SMOOTH WHITE LENS. PROVIDE WITH FLANGE KIT FOR GYP BOARD CEILING MOUNTING. LAMPS: L.E.D. WITH MINIMUM 4000 DELIVERED LUMENS AND MAXIMUM 41 WATTS AT 4000K. DRIVER: 10% 0-10V DIMMABLE MULTIVOLT ELECTRONIC.	LITHONIA "EPANEL" SERIES METALUX "7"R" SERIES CRACKLE "SDF" LED OR PREAPPROVED EQUAL
C	4" STRIP LIGHT FIXTURE SURFACE MOUNTED WITH DIFFUSED POLYESTER PLATE LENS AND WHITE HOUSING (SURFACE, STEM, OR CHAIN SUSPENDED WHERE REQUIRED). LAMPS: L.E.D. WITH MINIMUM 6,700 DELIVERED LUMENS AND MAXIMUM 55 WATTS AT 4000K. DRIVER: MULTIVOLT ELECTRONIC.	LITHONIA "2LW" SERIES METALUX H.E. WILLIAMS COLUMBIA BARKAR
D	RECESSED COMMERCIAL WIDE DOWNLIGHT WITH 6" APERTURE WITH WHITE HOUSING. FIXTURE SHALL BE CONSTRUCTED WITH GALVANIZED STEEL FRAME WITH OPEN DOWNLIGHT REFLECTOR AND PASSIVE COOLING. LAMPS: L.E.D. WITH MINIMUM 1,800 DELIVERED LUMENS AND MAXIMUM 22 WATTS AT 4000K. DRIVER: 10% 0-10V DIMMABLE MULTIVOLT ELECTRONIC.	LITHONIA "LDW" HALO COMMERCIAL "90" SERIES PHILIPS "CALCULITE" SERIES PHILIPS "CALCULITE" SERIES SPECTRUM "SLEDGLO" SERIES ELITE "H90 LED" SERIES CREE
F	FOR ARCHITECTURAL WALL SCENES, DIE-CAST QUARTER SPHERE SHAPED HOUSING (ONLY WHERE NOTED) TO BE ACCEPTED. PROVIDE WITH ONE-PIECE SILICONE FOR FULL GASKET AND MOUNTING. ACRYLIC LENS WITH TYPE 316L STAINLESS STEEL DISTRIBUTION. MOUNT AS DIRECTED PER ARCHITECTURAL ELEVATIONS. FINISH COLOR SHALL BE SELECTED BY ARCHITECT. LAMPS: L.E.D. WITH MINIMUM 5,000 DELIVERED 4000 LUMENS AND MAXIMUM 50 WATTS AT 4000K. DRIVER: MULTIVOLT ELECTRONIC.	LITHONIA "WSD" SERIES MICROBROW "EDW" "98" SERIES PHILIPS "GARDCO" "98" SERIES HUBBELL "GSDPOM" SERIES SOLERA
G	16" LED CIRCULAR HIGHBAY WITH FROSTED ACRYLIC REFLECTOR OPTION. MOUNT FIXTURE DIRECTLY TO STRUCTURE. PROVIDE SAFETY CHAIN, ATTACHED TO STRUCTURE, TO HOUSING, AND TO REFLECTOR. LAMPS: L.E.D. WITH MINIMUM 36,000 DELIVERED LUMENS AT 4000K, 250W INPUT. DRIVER: MULTIVOLT.	LITHONIA "JCB" SERIES HUBBELL H.E. WILLIAMS CRACKLE COOPER LUMAX COLUMBIA "CREE"
G2	16" LED CIRCULAR HIGHBAY WITH FROSTED ACRYLIC REFLECTOR OPTION. MOUNT FIXTURE DIRECTLY TO STRUCTURE. PROVIDE SAFETY CHAIN, ATTACHED TO STRUCTURE, TO HOUSING, AND TO REFLECTOR. PROVIDE WIREGUARD. LAMPS: L.E.D. WITH MINIMUM 18,000 DELIVERED LUMENS AT 4000K, 125W INPUT. DRIVER: MULTIVOLT.	LITHONIA "JCB" SERIES HUBBELL H.E. WILLIAMS CRACKLE COOPER LUMAX COLUMBIA "CREE"
H	L.E.D. HIGH IMPACT FIXTURE WITH REINFORCED FIBERGLASS HOUSING AND HIGH IMPACT RIBBED FROSTED DIFFUSER FIXTURE SHALL HAVE WIDE DISTRIBUTION. FIXTURE SHALL BE U.L. LISTED FOR WET LOCATIONS. FIXTURE SHALL HAVE A MAXIMUM OF 85 WATTS. LAMPS: L.E.D. WITH MINIMUM 5500 LUMENS AT 4000K. DRIVER: UNV VOLT ELECTRONIC.	METALUX "VT" LITHONIA HUBBELL H.E. WILLIAMS
J	L.E.D. 2" WALL MOUNTED ROUND VANITY WITH ACRYLIC DIFFUSER. COORDINATE MOUNTING HEIGHT AND FINISH WITH ARCHITECT. LAMPS: L.E.D. WITH MINIMUM 1100 LUMENS AT 4000K. DRIVER: MULTIVOLT.	LITHONIA "MTRL" SERIES HUBBELL METALUX COLUMBIA CRACKLE
K	L.E.D. EXIT LIGHT. PROVIDE WITH DIE-CAST ALUMINUM HOUSING WITH WHITE FINISH AND RED FACED BACKGROUND. UNIVERSAL MOUNTING. LAMPS: L.E.D. DRIVER: MULTI VOLT INPUT.	LITHONIA "LOC" SERIES SURE-LITE "CX" SERIES CHILDRENS "60 LINC" SERIES DUAL-LITE "SEMPRA" SERIES SIMMARY "SDC" SERIES EVENLITE



1 DETAIL - RECEPTACLE CONNECTION
SCALE: NONE

NOTE: CONTRACTOR MAY ELECT TO USE MODULAR PRE-WIRED WIRING DEVICES (P&S PLUG-TAIL) OR EQUAL BY LISTED MANUFACTURER.



2 RECEPTACLE LOCATION @ ELECTRIC WATER COOLER
SCALE: NONE

Order Plans @ WWW.LDLINE.COM

dickinson ARCHITECTS
Architecture/Interior Design/Planning
771 Broad Street, Suite 1100
Augusta, Georgia 31401
Phone: (706) 724-7488
www.dickinsonarchitects.com

Member of the American Institute of Architects

THIS DRAWING IS THE PROPERTY OF DICKINSON ARCHITECTS, P.C. AND IS NOT TO BE REPRODUCED, COPIED, OR TRANSMITTED IN ANY FORM OR BY ANY MEANS, ELECTRONIC OR MECHANICAL, INCLUDING PHOTOCOPYING, RECORDING, OR BY ANY INFORMATION STORAGE AND RETRIEVAL SYSTEM, WITHOUT THE WRITTEN PERMISSION OF DICKINSON ARCHITECTS, P.C.

PROJECT TITLE:
MURPHEY MIDDLE SCHOOL P.E. BUILDING PROJECT # B-17-005-3756.1

REVISIONS			
REV #	DATE	APPRD BY	REVISION
1	11/02/18	MAP	STATE FINAL
2	11/20/18	MAP	ISSUE FOR BD

GEORGIA REGISTERED PROFESSIONAL ENGINEER
No. 10000
Name: [Signature]
Date: 11-20-18

DA PROJECT NUMBER & NAME:
1707.1
DRAWING TITLE:
LEGEND, NOTES, DETAILS AND FIXTURE SCHEDULE
DRAWING NO:
E100

EDC ELECTRICAL ENGINEERS
11291 BROAD ST., SUITE 1-A
AUGUSTA, GA 30901
PH: (706) 724-3551
FAX: (706) 724-6597
EDC PROJECT #: 18004