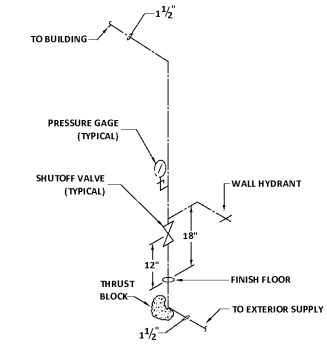
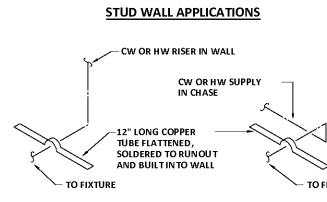
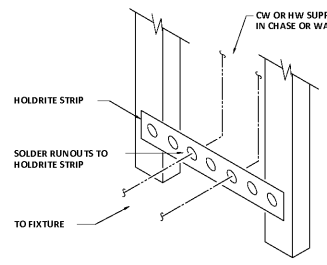


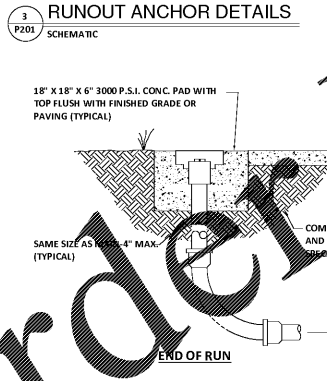
**1 WATER VALVE LOCATOR TAG**  
P201 NOT TO SCALE



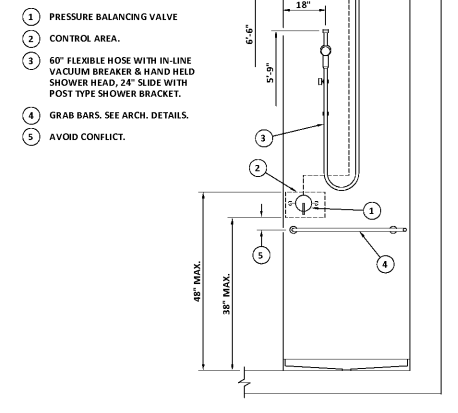
**2 PLUMBING DOMESTIC WATER RISER**  
P201 SCHEMATIC ONLY



**3 RUNOUT ANCHOR DETAILS**  
P201 SCHEMATIC

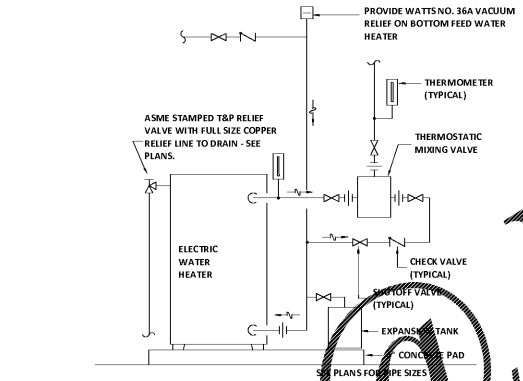


**CLEANOUT DETAILS**  
P201 SCHEMATIC ONLY

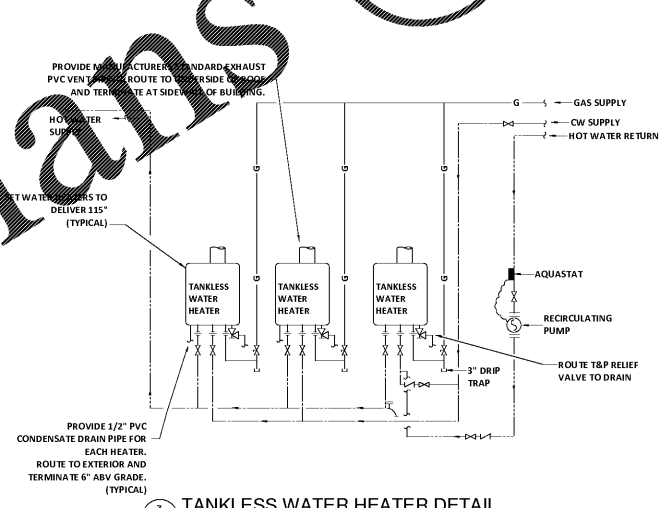


**5 SHOWER ASSEMBLY DETAIL**  
P201 NOT TO SCALE

- BALANCING DIRECTIONS:**
1. WITH BALL VALVE CLOSED SET MIXING VALVE TO DESIRED TEMPERATURE WITH WATER FLOWING FROM TEMPERED WATER LINE.
  2. AFTER OBTAINING DESIRED TEMPERATURE, STOP THE WATER FLOW.
  3. CRACK THE BALL VALVE OPEN SO THAT A SMALL AMOUNT OF HOT WATER IS RETURNED TO THE WATER HEATERS. THIS ALLOWS THE MIXING VALVE TO MAINTAIN THE SET TEMPERATURE DURING PERIODS OF NO DRAW.
  4. IF THE TEMPERED WATER TEMPERATURE INCREASES, CLOSE THE BALL VALVE SLIGHTLY. IF THE TEMPERED WATER TEMPERATURE DECREASES, OPEN THE BALL VALVE SLIGHTLY.



**6 WATER HEATER PIPING DETAIL**  
P201 NOT TO SCALE



**7 TANKLESS WATER HEATER DETAIL**  
P201 SCHEMATIC ONLY

**GENERAL PLUMBING NOTES**

THE LOCATIONS OF EXISTING UNDERGROUND UTILITIES ARE SHOWN IN AN APPROXIMATE WAY ONLY. THE CONTRACTOR SHALL DETERMINE THE EXACT LOCATION OF ALL EXISTING UTILITIES BEFORE COMMENCING WORK. HE SHALL BE FULLY RESPONSIBLE FOR ANY AND ALL DAMAGES WHICH MIGHT BE OCCASIONED BY HIS FAILURE TO EXACTLY LOCATE AND PRESERVE ANY AND ALL UNDERGROUND UTILITIES.

NOT ALL EXISTING WORK IS SHOWN AND THAT SHOWN IS IN ITS APPROXIMATE LOCATION AND ARRANGEMENT. CONTRACTOR SHALL BE RESPONSIBLE FOR VERIFYING LOCATIONS, ARRANGEMENTS, SIZES AND CONDITIONS AND IN CASE OF DISCREPANCY TO CONTACT THE ARCHITECT FOR RELOCATION AND REMOVAL OF SAID ELEMENTS IN ACCORDANCE WITH THE BASIC INTENTIONS INDICATED BY THE DRAWINGS AND DETAILS.

EXACT LOCATIONS AND ROUGHING REQUIREMENTS FOR ALL FIXTURES AND EQUIPMENT SHALL BE DETERMINED FROM ARCHITECTURAL DRAWINGS, LARGE SCALE ARCHITECTURAL DETAILS AND APPROVED MANUFACTURER'S SHOP DRAWINGS. PARTICULAR ATTENTION SHALL BE DIRECTED TO FIXTURES OR EQUIPMENT FURNISHED UNDER OTHER DIVISIONS.

INVERT ELEVATIONS SHOWN SHALL BE VERIFIED ON THE JOB BEFORE INSTALLING ANY NEW PIPE.

INSTALL TEST-TEES WHEN THE SANITARY SEWER SYSTEM IS TO BE TESTED IN SECTIONS.

PIPING IS SHOWN IN ITS GENERAL LOCATION (UNLESS DIMENSIONED). EXACT LOCATION SHALL BE DETERMINED BY JOB CONDITIONS. CONTRACTOR SHALL COORDINATE THE INSTALLATION OF HIS WORK WITH THAT OF OTHER TRADES AND ARRANGE PIPING TO CLEAR STRUCTURAL MEMBERS AND DUCTWORK.

RISERS FOR FIXTURES, UNLESS OTHERWISE NOTED, SHALL BE CONCEALED IN WALLS OR PIPE CHASES.

MINIMUM SIZE WATER LINE FOR ANY TWO FIXTURES SHALL BE 3/4". REFER TO PLUMBING FIXTURE SCHEDULE FOR INDIVIDUAL FIXTURE RUNOUT SIZES.

INSTALL UNDERGROUND WATER LINE(S) ABOVE SOIL AND WASTE LINE(S). WATER LINE IN SAME TRENCH WITH SOIL OR WASTE LINE SHALL BE INSTALLED ON AN UNDISTURBED EAR IN LEDE WITH THE BOTTOM OF THE WATER LINE 12" (MIN.) ABOVE TOP OF SOIL OR WASTE LINE.

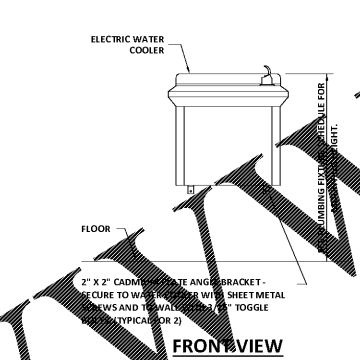
REFER TO ARCHITECTURAL FINISH SCHEDULE AND ELEVATIONS FOR DETAILS OF FLOORS WHERE FLOOR DRAINS AND CLEANOUTS ARE LOCATED.

INSTALL EXTERIOR WALL HYDRANTS 18" ABOVE FINISH GRADE, EXCEPT AS NOTED OTHERWISE.

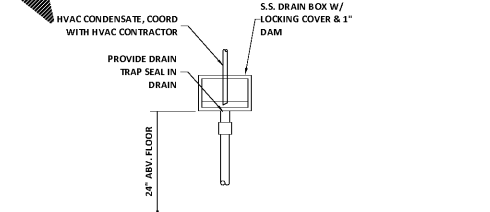
PROVIDE A MINIMUM COVER OF 30" FOR ALL LINES EXCEPT AS NOTED OTHERWISE ON THE DRAWINGS.

PROVIDE SLEEVES FOR PIPES PASSING THRU FLOORS, MASONRY WALLS AND FIRE OR SMOKE PARTITIONS. PACK ANNUAL SPACE BETWEEN PIPE WITH MATERIAL APPROVED IN U.L. BUILDING DIRECTORY.

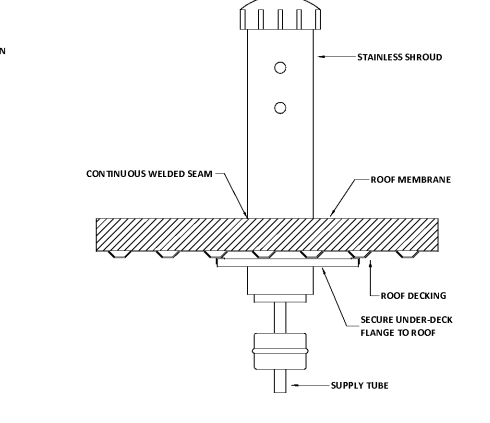
INSTALL INTERIOR HOSE BIBBS 20" ABOVE FLOOR EXCEPT AS NOTED OTHERWISE. WHERE HOSE BIBBS ARE INSTALLED ADJACENT TO FIXTURE STOPS, INSTALL HOSE BIBBS AT SAME CENTERLINE ELEVATIONS AS FIXTURE STOPS.



**8 WATER COOLER DETAIL**  
P201 NOT TO SCALE



**9 CONDENSATE DRAIN BOX TO STORM DETAIL**  
P201 SCHEMATIC ONLY



**10 ROOF HYDRANT DETAIL**  
P201 NOT TO SCALE

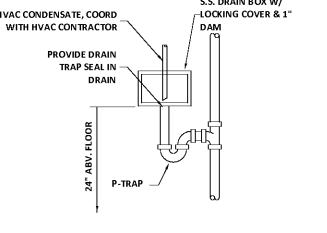
**PLUMBING FIXTURE SCHEDULE**

SYMBOL	FIXTURE	WASTE CONN. BRANCH	VENT	COLD WATER	HOT WATER	RIM HGT.	BASIS OF DESIGN FIXTURES
P-1	WATER CLOSET	4"	2"	1"	-	15"	KOHLER K-4406, SLOAN 111-1.28 FLUSH VLV., BENEKE S27-SS WHITE SEAT
P-2	WATER CLOSET (A.D.A. ADULT)	4"	2"	1"	-	18"	KOHLER K-4405, SLOAN 111-1.28 FLUSH VLV., BENEKE S27-SS WHITE SEAT
P-3	URINAL (A.D.A. ADULT)	2"	1-1/2"	1"	-	17"	KOHLER K-5016-ET, SLOAN 186-05 FLUSH VALVE
P-4	SHOWER (A.D.A.)	2"	1-1/2"	1/2"	1/2"	3"	SYMMONS 1.25-F58-X (MIXING VALVE & HAND SHOWER) SMITH 2005-94 DRAIN
P-5	WASHQUINAIN (WALL HUNG) (ADA)	1-1/2"	1-1/2"	1/2"	1/2"	APRON BOTTOM 29"	BRADLEY EXD-2N-LESS FAUCETS (2) CHICAGO 802A-E2805 FAUCETS
P-6	ELECTRIC WATER COOLER (H-LO)	1-1/4"	1-1/2"	1/2"	-	APRON BOTTOM 27"	ELKAY VRC1LRWSK STAINLESS STEEL FINISH
P-7	LAVATORY (WALL HUNG) (ADA)	1-1/4"	1-1/2"	1/2"	1/2"	APRON BOTTOM 29"	K-2032 (20x18), CHICAGO 802A-E2805 FAUCETS, MCGUIRE 155A-TRID DRAIN
P-8	WATER HEATER (40 GALLON)	-	-	3/4"	3/4"	-	ELKAY FLD40, WALLON, 1.5 GPM @ 30 FT. RISE
P-9	MIXING VALVE	-	-	1"	1"	-	SYMMONS 1.25-F58-X
P-10	CONDENSATE DRAIN BOX	1-1/2"	1-1/2"	-	-	-	CONC. MESH REINFORCED BOX WITH 1" DAM LOCKING COVER
P-11	MOP SINK	3"	2"	1/2"	1/2"	APRON BOTTOM 27"	SMITH 2424, 882-AA, 889-CC, CHICAGO 897-RCF FAUCET
P-12	WATER HEATER (TANKLESS GAS)	-	-	3/4"	3/4"	-	RINNAI C199N, 199MBN (INPUT, 97% EFF. WEBSTONE EXP EZ VALVES
P-13	SHOWER (A.D.A.)	2"	1-1/2"	1/2"	1/2"	3"	SYMMONS 1.25-F58-X
P-14	MIXING VALVE	-	-	1"	1"	-	SYMMONS 7-200
P-15	SHOWER	2"	1-1/2"	1/2"	1/2"	-	ACORN 450B-4-5-8-T-Y-RD-SC
P-16	SHOWER (A.D.A.)	2"	1-1/2"	1/2"	1/2"	-	ACORN 450BADA-4-5-8-T-RD-SC
P-17	RECIRCULATING PUMP	-	-	3/4"	48"	-	B&G PL-308 2 GPM @ 30 FT. HEAD
P-18	ELECTRIC WATER COOLER (H-LO BOTTLE FILLER)	1-1/4"	1-1/2"	1/2"	-	APRON BOTTOM 27"	ELKAY L25TLRWSLP STAINLESS STEEL FINISH
CO-1	CLEANOUT	-	-	-	-	-	MIFAB C1100-XS-3-65-34-55 TOP
CO-2	CLEANOUT (PLUG TYPE)	-	-	-	-	-	SMITH 4292
FD-1	FLOOR DRAIN (GENERAL)	-	-	-	-	-	MIFAB F1000-C-5-55 TOP
FD-2	FLOOR DRAIN (MECH.)	-	-	-	-	-	SMITH 2005L-F37-CI
WH	WALL HYDRANT	-	-	3/4"	-	-	WOODFORD 68 SERIES
HB	HOSE BIBB	-	-	3/4"	-	-	WOODFORD B-74 SERIES (BOX)
HB-2	HOSE BIBB	-	-	1/2"	1/2"	36"	WOODFORD 26

- PLUMBING FIXTURE SCHEDULE KEYNOTES**
1. RIM HEIGHT FOR GUIDANCE ONLY. SEE ARCHITECTS DRAWINGS FOR EXACT MOUNTING HEIGHT. ROUGH WATER AND SANITARY CONNECTION AS REQUIRED. RIM HEIGHT INCLUDES SPECIFIED SEAT ON WATER CLOSETS.
  2. PROVIDE "TRUE BRO LAY GUARD" PROTECTIVE PIPE COVERS ON WASTE AND SUPPLY PIPING.
  3. SEE DETAIL FOR MOUNTING HEIGHT.
  4. PROVIDE 7" STRAINER ON 3" DRAINS AND 9" STRAINER ON 4" DRAINS. PROVIDE ROUND TOP FOR ALL FLOOR DRAINS.
  5. RIM FLUSH WITH FINISHED FLOOR.
  6. PROVIDE AMTROL ST-5 EXPANSION TANK.
  7. PROVIDE TRAP SEAL DEVICE EQUAL TO TRAP GRADE.
  8. INCLUDE (1) RINNAI MSB-M AND (1) RINNAI MSB-CI CONTROLLERS WITH APPROPRIATE LABELS FOR CONTROLLING THE THREE UNITS

**PLUMBING LEGEND**

SYMBOL	DESCRIPTION	SYMBOL	DESCRIPTION
---	WASTE OR SANITARY SEWER	---	EXIST. SOIL, WASTE, OR SANITARY SEWER
---	VENT	---	COLD WATER
---	EXISTING COLD WATER	---	HOT WATER
---	EXISTING HOT WATER	---	HOT WATER CIRCULATING
---	EXISTING HOT WATER CIRCULATING	---	SHUTOFF VALVE
---	EXIST. GAS	---	CLEANOUT
---	VENT THRU ROOF	---	FLOOR DRAIN
---	HOSE BIBB	---	WATER HAMMER ARRESTOR
---	NEW WORK CONNECTION TO EXISTING WORK	---	WALL HYDRANT
---	EXISTING CLEANOUT	---	ROOF DRAIN LINE



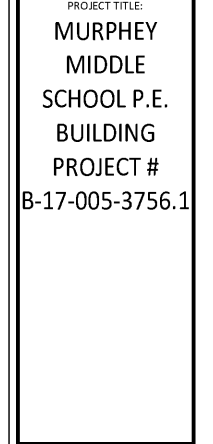
**11 CONDENSATE DRAIN BOX DETAIL**  
P201 SCHEMATIC ONLY



PROJECT TITLE:  
**MURPHEY MIDDLE SCHOOL P.E. BUILDING PROJECT # B-17-005-3756.1**

**REVISIONS**

REV	DATE	APPROV	REVISION
1	11/02/18	JMF	STATE FINAL
2	11/20/18	JMF	ISSUE FOR BID



DA PROJECT NUMBER & NAME:  
PROJECT NUMBER  
DRAWING TITLE:  
**PLUMBING SCHEDULES AND DETAILS**  
DRAWING NO:  
**P201**



PLOT DATE: 11/02/2018  
FILE NAME: 17094MECH  
BASESHEET: 17094MECH  
PLOT SCALE: 1 = 96  
RWW