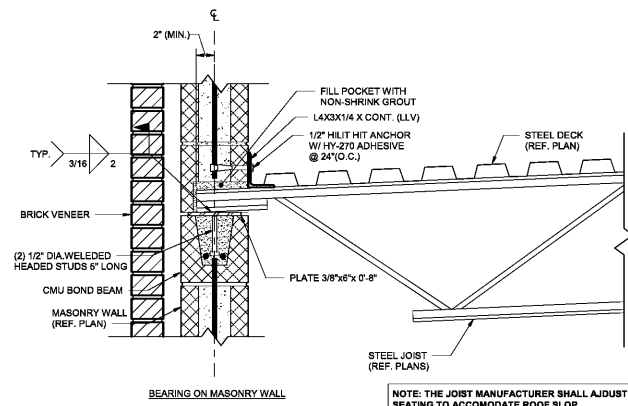
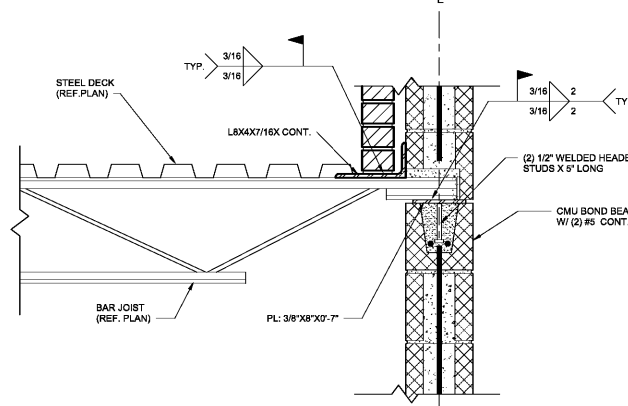


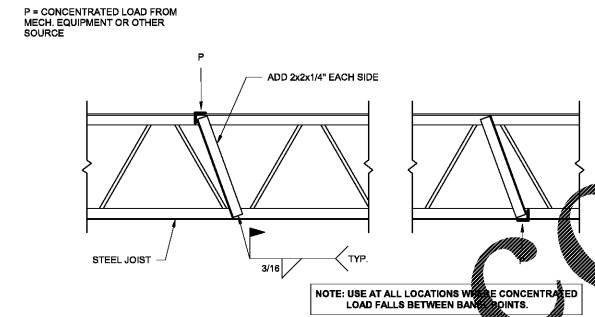
1 BEAM CONNECTION AT WALL
SCALE: 1 1/2" = 1'-0"



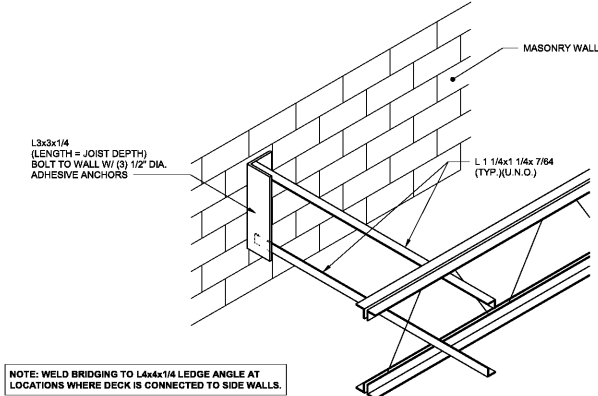
2 JOIST CONNECTION AT WALL
SCALE: 1 1/2" = 1'-0"



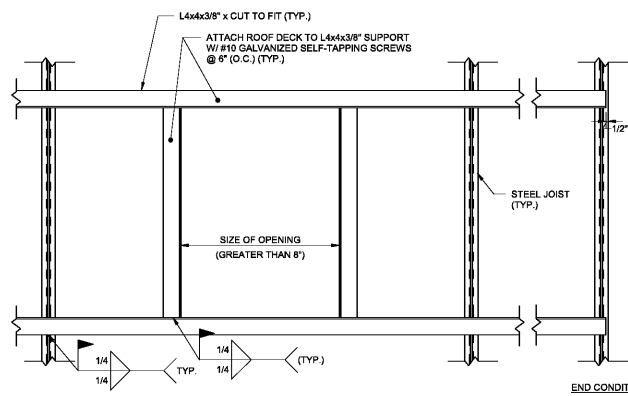
3 SECTION AT LOW ROOF
SCALE: 1 1/2" = 1'-0"



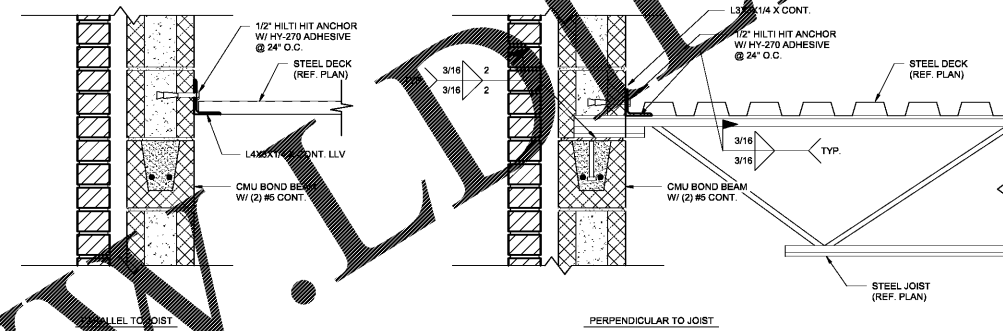
4 JOIST FIELD MODIFICATION
SCALE: 3/4" = 1'-0"



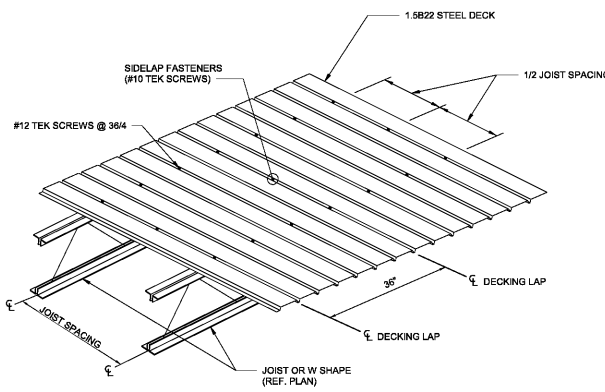
5 HORIZONTAL BRIDGING AT WALL
SCALE: 1 1/2" = 1'-0"



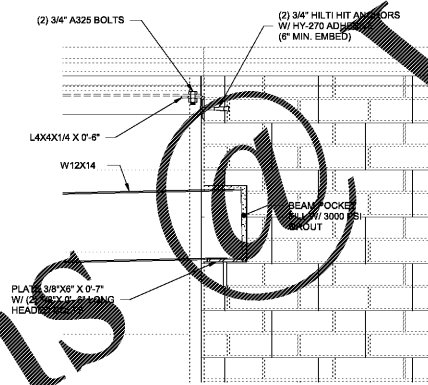
6 ROOF OPENING
SCALE: 3/4" = 1'-0"



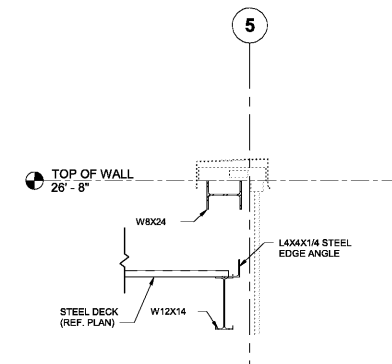
7 EXTERIOR ROOF CONNECTIONS
SCALE: 1 1/2" = 1'-0"



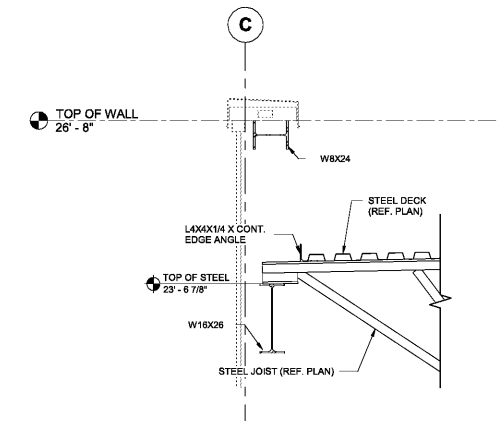
8 ROOF DECK FASTENING
SCALE: 1" = 1'-0"



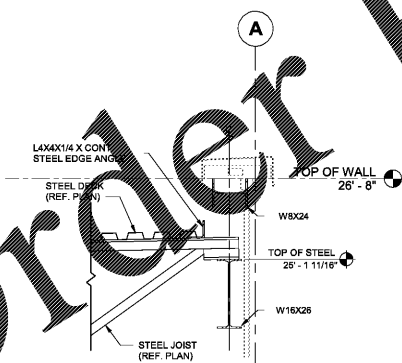
9 CONNECTION DETAIL
SCALE: 1" = 1'-0"



10 PARAPET BEAM DETAIL
SCALE: 3/4" = 1'-0"



11 PARAPET BEAM DETAIL
SCALE: 3/4" = 1'-0"



12 PARAPET BEAM DETAIL
SCALE: 3/4" = 1'-0"

dickinson
ARCHITECTS
Architecture/Interior Design/Planning
771 Broad Street, Suite 200
Augusta, Georgia 31401
706-722-7488
info@dickinsonarchitects.com
www.dickinsonarchitects.com

Member of the
American Institute of
Architects

THIS DRAWING IS THE PROPERTY OF DICKINSON ARCHITECTS, P.C. AND IS NOT TO BE REPRODUCED OR COPIED IN WHOLE OR IN PART OR USED FOR ANY PURPOSE WITHOUT THE EXPRESS WRITTEN PERMISSION OF DICKINSON ARCHITECTS, P.C. ANY OTHER REPRODUCTION OR USE OF THIS DRAWING WITHOUT THE EXPRESS WRITTEN PERMISSION OF DICKINSON ARCHITECTS, P.C. IS STRICTLY PROHIBITED.

PROJECT TITLE:
**MURPHEY
MIDDLE
SCHOOL P.E.
BUILDING
PROJECT #
B-17-005-3756.1**

REV	DATE	APPROV BY	REVISION
1	11/02/18		STATE FINAL
2	11/20/18		ISSUE FOR BID



DA PROJECT NUMBER & NAME:
1707.1

DRAWING TITLE:
**FRAMING
DETAILS**

DRAWING NO:
S700

CRANSTON
ENGINEERING
ENGINEERS - PLANNERS - SURVEYORS
452 Ellis Street, Augusta, Georgia 30901
Telephone 706-722-1588
CranstonEngineering.com CEG JOB NO.: 2018-0053