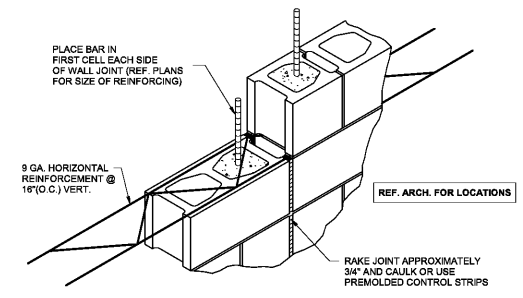
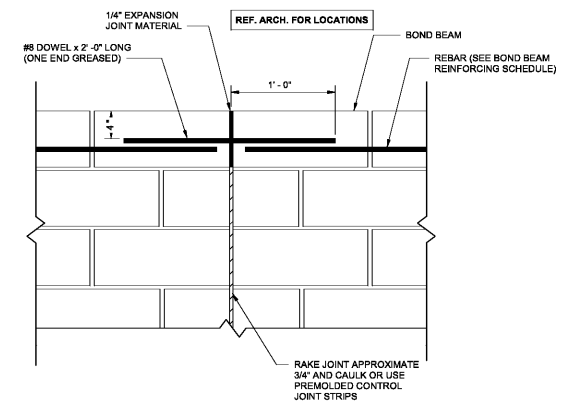


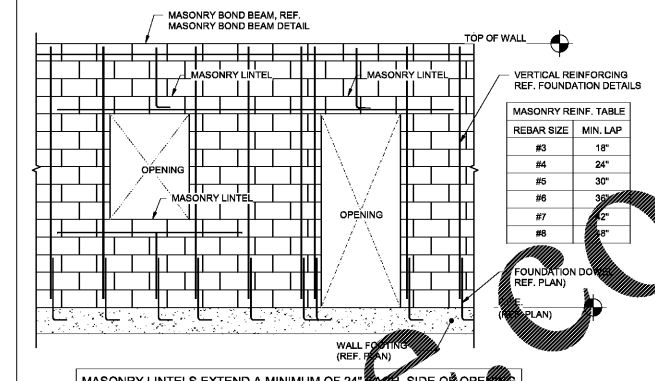
1 REINF. @ BOND BEAM INTERSECTION
SCALE: 1" = 1'-0"



2 MASONRY CONTROL JOINT
SCALE: 1" = 1'-0"



3 CONTROL JOINT AT BOND BEAM
SCALE: 1 1/2" = 1'-0"

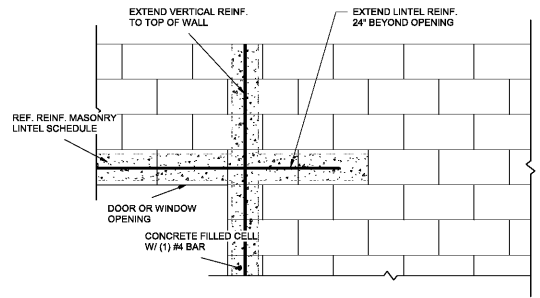


4 HEAD AND JAMB REINFORCEMENT
SCALE: 3/4" = 1'-0"

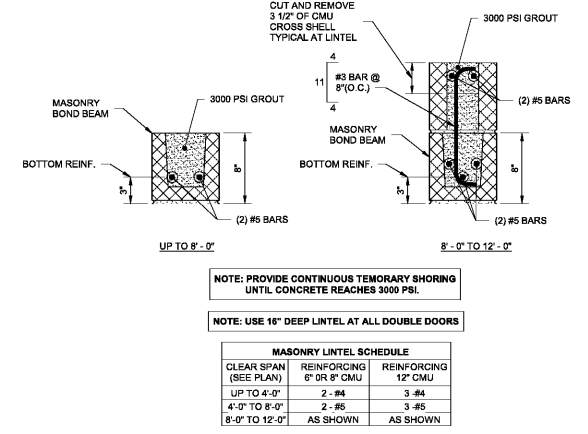
VERTICAL REINFORCING REF. FOUNDATION DETAILS

REBAR SIZE	MIN. LAP
#3	18"
#4	24"
#5	30"
#6	36"
#7	42"
#8	48"

MASONRY LINTELS EXTEND A MINIMUM OF 24" EACH SIDE OF OPENING



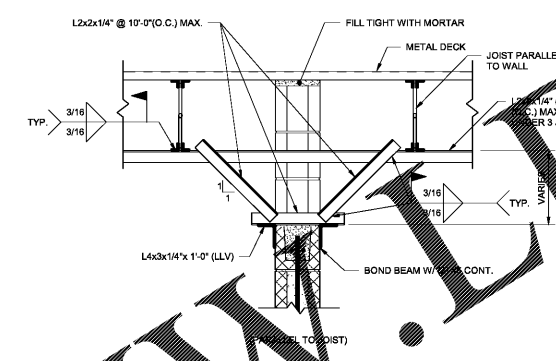
5 HEAD AND JAMB REINFORCEMENT DETAIL
SCALE: 3/4" = 1'-0"



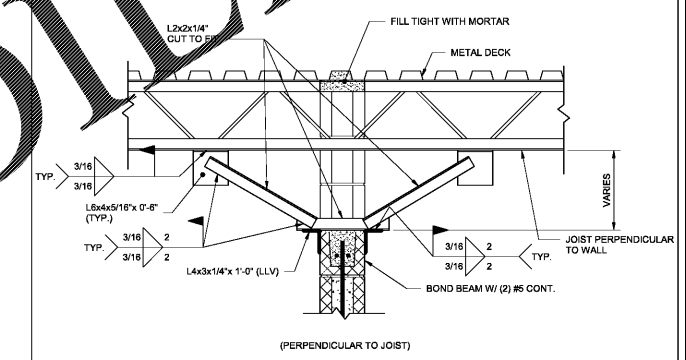
NOTE: PROVIDE CONTINUOUS TEMPORARY SHORING UNTIL CONCRETE REACHES 3000 PSI.
NOTE: USE 16" DEEP LINTEL AT ALL DOUBLE DOORS.

CLEAR SPAN (SEE PLAN)	REINFORCING 6" OR 8" CMU	REINFORCING 12" CMU
UP TO 4'-0"	2 - #4	3 - #4
4'-0" TO 8'-0"	2 - #5	3 - #5
8'-0" TO 12'-0"	AS SHOWN	AS SHOWN

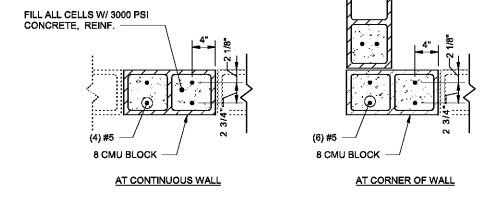
7 MASONRY LINTEL SCHEDULE
SCALE: 1 1/2" = 1'-0"



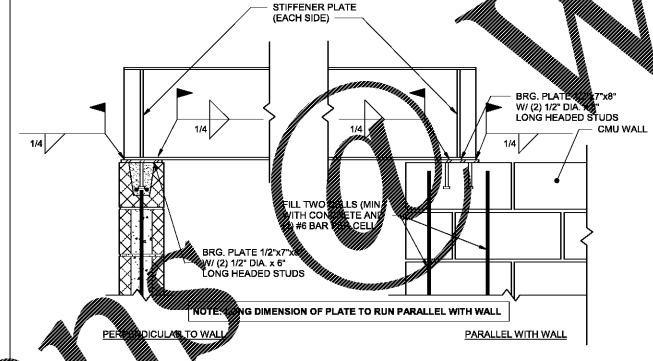
8 TYP. MASONRY WALL BRACING (PARALLEL)
SCALE: 1" = 1'-0"



9 TYP. MASONRY WALL BRACING (PERPENDICULAR)
SCALE: 1" = 1'-0"



10 REINFORCED MASONRY PIER
SCALE: 1" = 1'-0"



11 MASONRY PIER
SCALE: 1" = 1'-0"

dickinson
ARCHITECTS
Architecture/Interior Design/Planning
771 Broad Street, Suite 500
Augusta, Georgia 31400
772-7488
info@dickinsonarchitects.com
www.dickinsonarchitects.com

Member of the
American Institute of
Architects

THIS DRAWING IS THE PROPERTY OF DICKINSON ARCHITECTS, P.C. AND IS NOT TO BE REPRODUCED OR COPIED IN WHOLE OR IN PART OR USED FOR ANY OTHER PURPOSE WITHOUT THE WRITTEN PERMISSION OF DICKINSON ARCHITECTS, P.C.

PROJECT TITLE:
**MURPHEY
MIDDLE
SCHOOL P.E.
BUILDING
PROJECT #
B-17-005-3756.1**

REVISIONS

REV	DATE	APPROV BY	REVISION
1	11/02/18		STATE FINAL
2	11/20/18		ISSUE FOR BID



DA PROJECT NUMBER & NAME:
1707.1

DRAWING TITLE:
**MASONRY
DETAILS**

DRAWING NO.:
S600

CRANSTON
ENGINEERING
ENGINEERS - PLANNERS - SURVEYORS
452 Ellis Street, Augusta, Georgia 30901
Telephone 706-722-1588
CranstonEngineering.com
CEG JOB NO.: 2018-0053

Order Plans