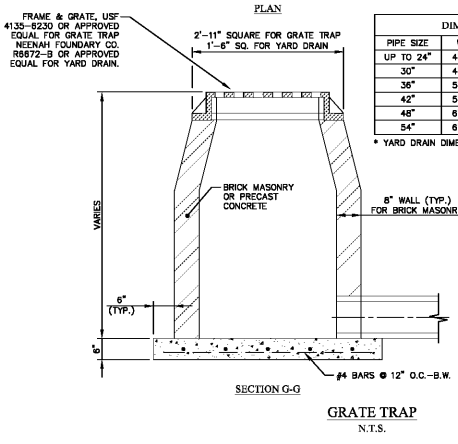
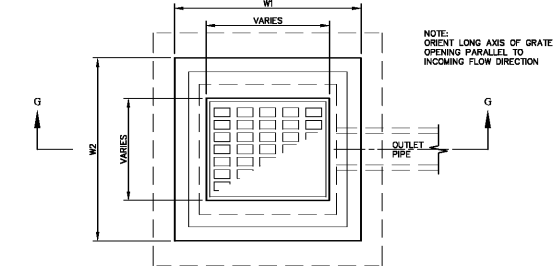
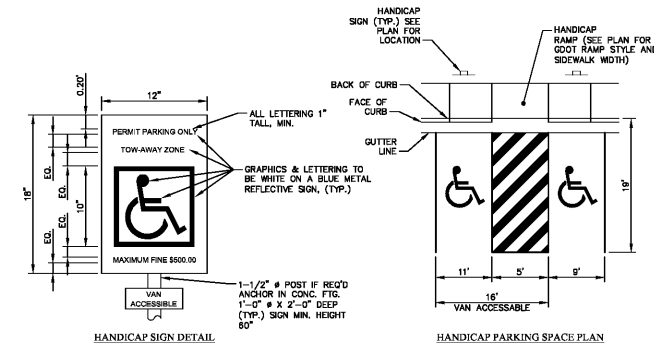


G:\A-ACTIVE JOB FILES\2018\2018-07-18 - MURPHEY MIDDLE SCHOOL PE BUILDING AND PARKING IMPROVEMENTS\A-C-DRAWINGS\A-C-DRAWINGS\11/22/2018 9:58 AM

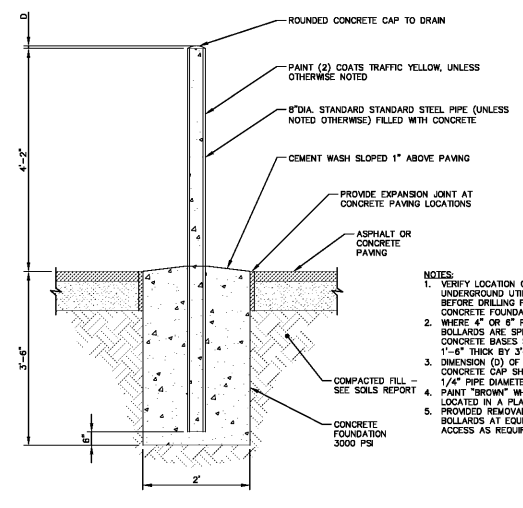


PIPE SIZE	W1*	W2*	MIN. "O"	SLAB "T"
UP TO 24"	4'-0"	4'-0"	4'-0"	8"
30"	4'-0"	4'-0"	4'-0"	10"
36"	5'-0"	5'-0"	5'-0"	12"
42"	5'-0"	5'-10"	5'-4"	12"
48"	6'-2"	6'-4"	6'-0"	12"
54"	6'-8"	6'-8"	6'-8"	12"

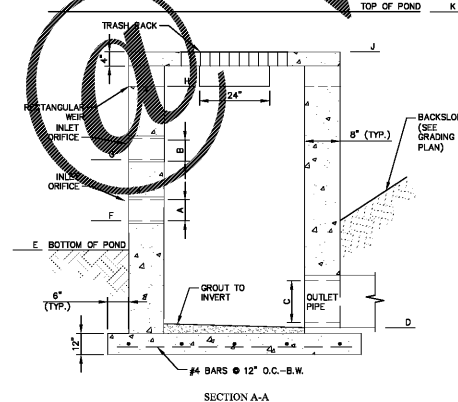
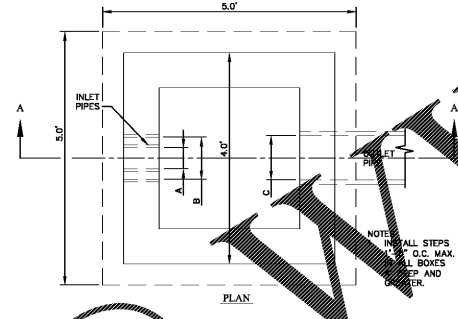
* YARD DRAIN DIMENSIONS SHALL BE 1'-6".



HANDICAP PARKING DETAIL
N.T.S.

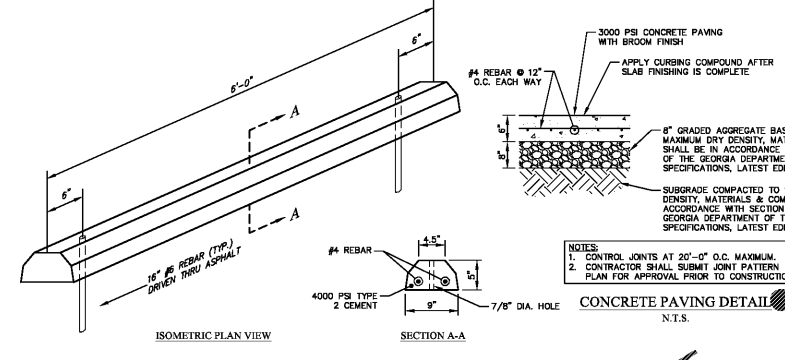


BOLLARD DETAIL
N.T.S.

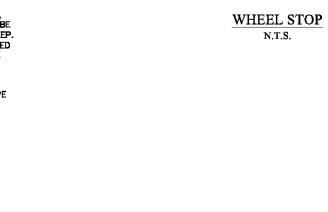


DIMENSION SCHEDULE										
STRUCTURE	A	B	C	D	E	F	G	H	J	K
A1	6"	8"	18"	477.30'	478.00'	479.00'	480.00'	482.00'	483.25'	483.00'

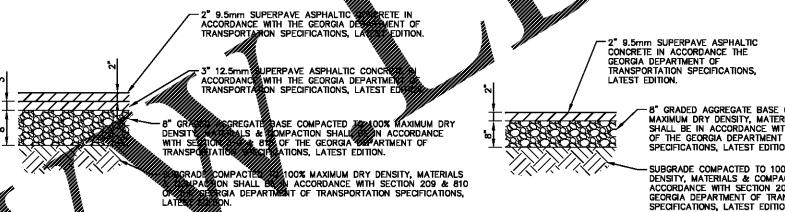
WEIR OUTLET STRUCTURE
N.T.S.



CONCRETE PAVING DETAIL
N.T.S.



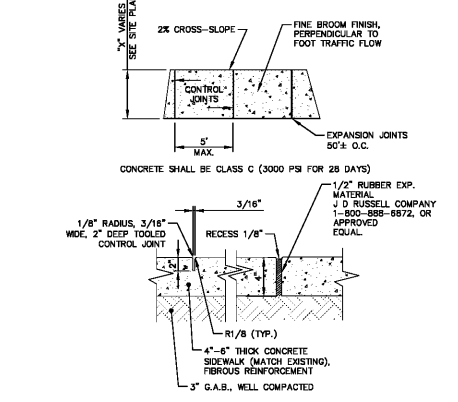
WHEEL STOP
N.T.S.



HEAVY DUTY ASPHALT PAVING DETAIL
N.T.S.



ASPHALT PAVING DETAIL
N.T.S.



SIDEWALK - TYPICAL SECTION
N.T.S.

- SIDEWALK WIDTH IS TYPICALLY 5', HOWEVER, CAN VARY DEPENDING ON LOCATION. SEE PLAN SHEETS.
- CONTROL JOINTS ON CENTER SPACING TO EQUAL WIDTH OF SIDEWALK.
- EXPANSION JOINTS TO BE INSTALLED EVERY 50' AND AT ALL ROAD CONNECTIONS.
- JOINTS IN CURB & GUTTER SHALL ALIGN WITH CORRESPONDING JOINTS IN SIDEWALK WHERE ADDING.



BRANSTON
ENGINEERS - PLANNERS - SURVEYORS
450 Ellis Street, Augusta, Georgia 30901
Post Office Box 488, Augusta, Georgia 30903
Phone: 706.722.1538
Email: branston@branstongroup.com



Murphey Middle School PE Building
Miscellaneous Details

DRAWN BY: MAB/RDS
CHECKED BY: TMP
APPROVED BY: MMB
DATE: NOVEMBER 2, 2018
SCALE: AS SHOWN
JOB No. 2018-0178
DRAWING No. C700



THIS DRAWING IS THE PROPERTY OF DICKINSON ARCHITECTS. IT IS NOT TO BE REPRODUCED OR COPIED IN WHOLE OR IN PART OR USED FOR ANY PURPOSE WITHOUT THE WRITTEN CONSENT OF DICKINSON ARCHITECTS, P.C. AND IS TO BE RETURNED TO DICKINSON ARCHITECTS, P.C.

PROJECT TITLE:
MURPHEY MIDDLE SCHOOL PE BUILDING PROJECT # B-17-005-3756.1

REVISIONS			
REV #	DATE	APPRD BY	REVISION
11/02/18	MMB		STATE FINAL
11/20/18	MMB		ISSUE FOR BID

DA PROJECT NUMBER & NAME:
1707.1
DRAWING TITLE:
MISCELLANEOUS DETAILS

DRAWING NO:
C700