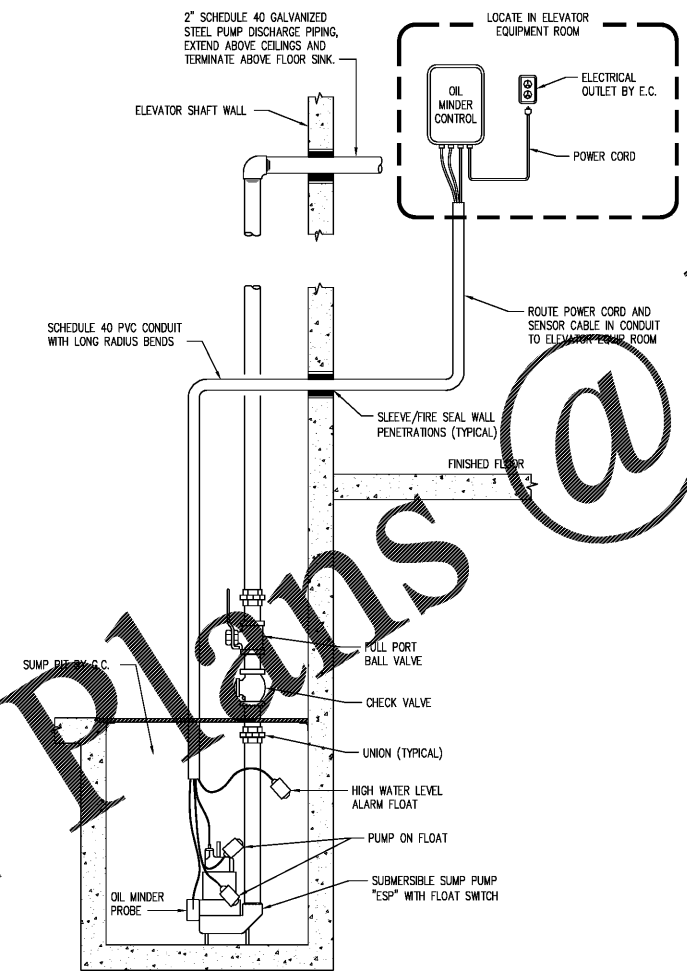
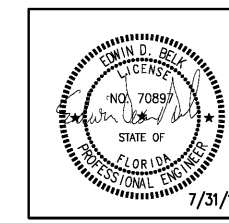


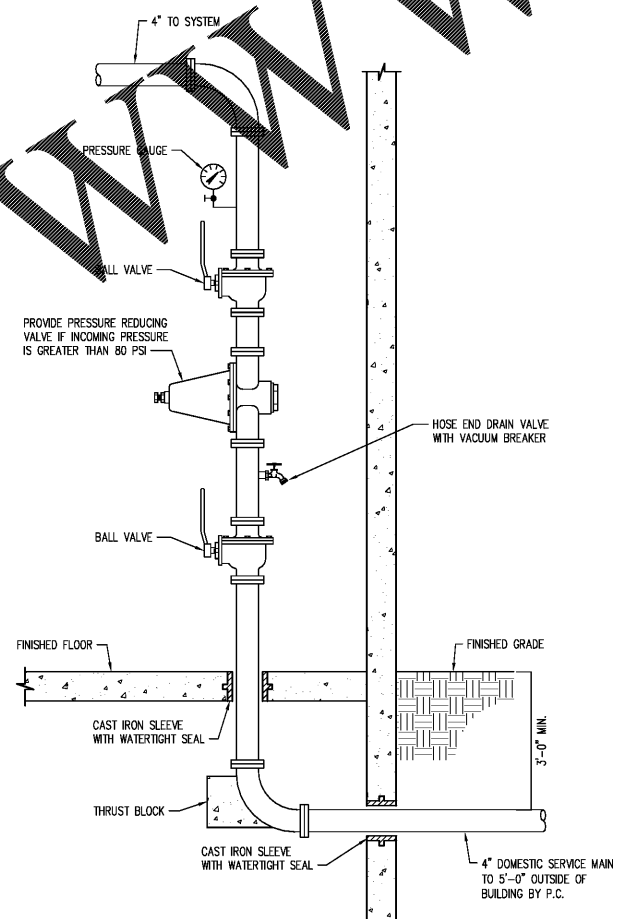
WWW.LDILine.com

REVISIONS		
No.	Date	Description

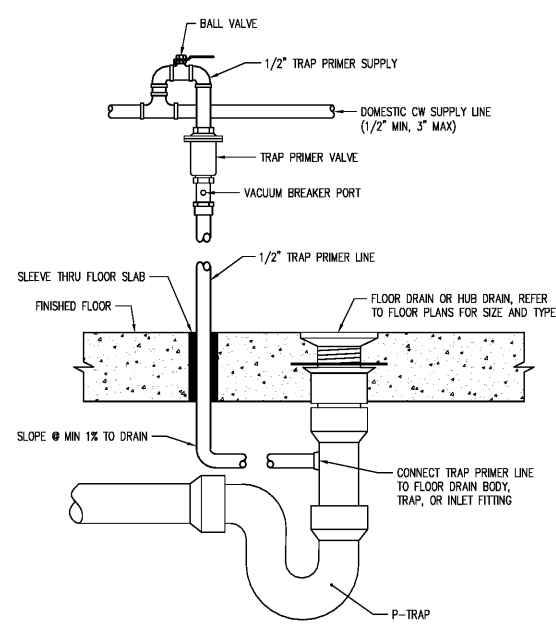
Information contained on this drawing and in all digital files associated is authorized for use on the project named herein only and is the property of MISHRA ARCHITECTURE PLLC and may not be reproduced in any manner without express written or verbal permission from authorized individuals. Original drawing is 24"x36" and scales are as indicated. © 2008 MISHRA ARCHITECTURE PLLC



1 ELEVATOR SUMP PUMP DETAIL  
P0.04 NOT TO SCALE



2 DOMESTIC SERVICE RISER DETAIL  
P0.04 NOT TO SCALE



- TRAP PRIMER NOTES:**
1. PROVIDE TRAP PRIMER VALVES FOR ALL FLOOR DRAINS AND HUB DRAINS, EXCEPT SHOWER DRAINS.
  2. TRAP PRIMER VALVES SHALL BE SIOUX CHIEF PRIME PERFECT SERIES 695, OR EQUAL.
  3. CONNECT TRAP PRIMER VALVE TO CW LINE: 1/2" MIN. - 3" MAX.
  4. PROVIDE SIOUX CHIEF WYE SPLITTER AND/OR DISTRIBUTOR FOR TRAP PRIMER VALVES SERVING MORE THAN ONE FLOOR DRAIN.
  5. MAXIMUM OF EIGHT FLOOR DRAINS MAY BE SERVED BY ONE TRAP PRIMER VALVE.

3 TRAP PRIMER DETAIL  
P0.04 NOT TO SCALE

Order Plans

**KEY PLAN**

VTM Hotels, LLC

Home2Suites

2630 Wilde Lake Blvd.  
Pensacola, FL 32526

Drawing Title  
PLUMBING DETAILS

Phase  
Construction Documents

Project No. 17-101  
Prepared by JDH  
Checked by CED  
Date July 31, 2018

Shoot No. P004

Review

Home2Suites