

NOTE:
 1. HANGERS ARE SIMPSON STRONG TIE OR APPROVED EQUAL. IF SUBSTITUTED PROVIDE COMPARISON CHART FOR APPROVAL.
 2. USE THIS SCHEDULE FOR HANGERS UNLESS NOTED OTHERWISE IN SECTIONS.
 3. REFER TO ROOF SECTIONS FOR HURRICANE TIES.
 4. SIMPSON STRONG TIES REGULARLY REVISES/DELETE HANGER MODELS. USE SST RECOMMENDED REPLACEMENT WHEN THIS OCCURS.

WOOD LINTEL HANGER SCHEDULE

MARK	SIZE	CAP	HANGER	HANGER	HANGER	HANGER	HANGER
L28	(2) 2x8	BC		HU612TF w/ BEARING SHIM	HU612TF w/ BEARING SHIM	HU612TF w/ BEARING SHIM	HUC0610-SOS
L38	(3) 2x8	BC		HU681F	HU681F	HU681F	HUC0610-SOS
L210	(2) 2x10	AC		HU614TF w/ BEARING SHIM	HU614TF w/ BEARING SHIM	HU614TF w/ BEARING SHIM	HUC0610-SOS
L310	(3) 2x10	AC		HU610TF	HU610TF	HU610TF	HUC0610-SOS
L212	(2) 2x12	AC		HU616TF w/ BEARING SHIM	HU616TF w/ BEARING SHIM	HU616TF w/ BEARING SHIM	HUC0612-SOS
L312	(3) 2x12	AC		HU612TF	HU612TF	HU612TF	HUC0612-SOS
L39	(3) 1 1/2"x9 1/2" LVL	EPCZ		HBS.50/9.25	HBS.50/9.25	HBS.50/9.25	HUC0610-SOS
L311	(3) 1 1/2"x11 1/2" LVL	EPCZ		HBS.50/11.25	HBS.50/11.25	HBS.50/11.25	HUC0612-SOS
L314	(3) 1 1/2"x14" LVL	CCQ	A35	GLTV5.514	GLTV5.514	GLTV5.514	HUC0612-SOS
L316	(3) 1 1/2"x16" LVL	CCQ	A35	GLTV5.516	GLTV5.516	GLTV5.516	HUC0612-SOS
L318	(3) 1 1/2"x18" LVL	CCQ	A35	GLTV5.516	GLTV5.516	GLTV5.516	HUC0612-SOS
L324	(3) 1 1/2"x24" LVL	CCQ	A35	1/4" SADDLE	1/4" SADDLE	1/4" SADDLE	HUC0612-SOS

I-JOIST HANGER SCHEDULE

DEPTH	TJI 110 JOIST	TJI 210 JOIST	TJI 230 JOIST	TJI 360 JOIST	TJI 560 JOIST	TJI 110 JOIST	TJI 210 JOIST	TJI 230 JOIST	TJI 360 JOIST	TJI 560 JOIST	TJI 110 JOIST	TJI 210 JOIST	TJI 230 JOIST	TJI 360 JOIST	TJI 560 JOIST	TJI 110 JOIST	TJI 210 JOIST	TJI 230 JOIST	TJI 360 JOIST	TJI 560 JOIST	TJI 110 JOIST	TJI 210 JOIST	TJI 230 JOIST	TJI 360 JOIST	TJI 560 JOIST
9 1/2"	IUS1.81/9.5	IUS2.06/9.5	IUS2.37/9.5	IUS2.37/9.5	IUS3.56/9.5	ITS1.81/9.5	ITS2.06/9.5	ITS2.37/9.5	ITS2.37/9.5	ITS3.56/9.5	DHU1.81/9.5	DHU2.1/9.5	DHU2.37/9.5	DHU2.37/9.5	DHU3.56/9.5	LSSU25	LSSU2.1	LSSU35	LSSU35	LSSU410					
11 1/2"	IUS1.81/11.88	IUS2.06/11.88	IUS2.37/11.88	IUS2.37/11.88	IUS3.56/11.88	ITS1.81/11.88	ITS2.06/11.88	ITS2.37/11.88	ITS2.37/11.88	ITS3.56/11.88	DHU1.81/11.88	DHU2.1/11.88	DHU2.37/11.88	DHU2.37/11.88	DHU3.56/11.88	LSSU25	LSSU2.1	LSSU35	LSSU35	LSSU410					
14"	IUS1.81/14	IUS2.06/14	IUS2.37/14	IUS2.37/14	IUS3.56/14	ITS1.81/14	ITS2.06/14	ITS2.37/14	ITS2.37/14	ITS3.56/14	DHU1.81/14	DHU2.1/14	DHU2.37/14	DHU2.37/14	DHU3.56/14	LSSU25	LSSU2.1	LSSU35	LSSU35	LSSU410					
16"		IUS2.06/16	IUS2.37/16	IUS2.37/16	IUS3.56/16		ITS2.06/16	ITS2.37/16	ITS2.37/16	ITS3.56/16		DHU2.1/16	DHU2.37/16	DHU2.37/16	DHU3.56/16		LSSU2.1	LSSU35	LSSU35	LSSU410					

WOOD FRAMING TO WOOD BEAM FACE MOUNT

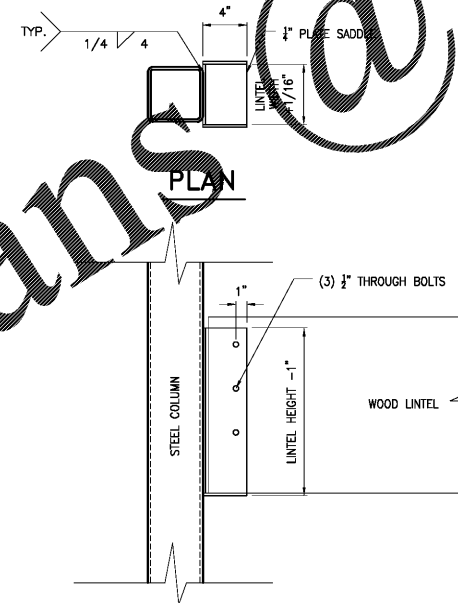
WOOD FRAMING TO WOOD BEAM

WOOD FRAMING TO WOOD BEAM

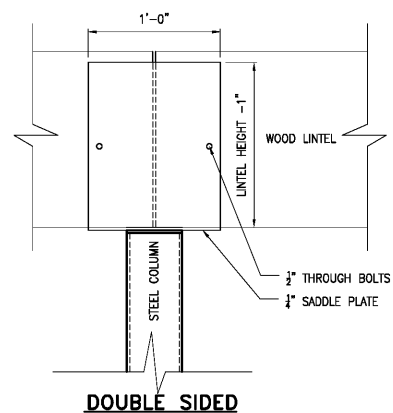
WOOD FRAMING TO MASONRY/CONCRETE WALL

WOOD FRAMING TO RATED WALL

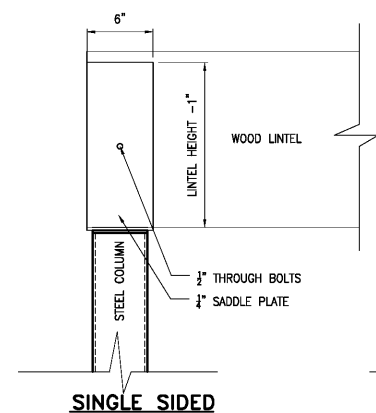
I-JOIST FRAMING



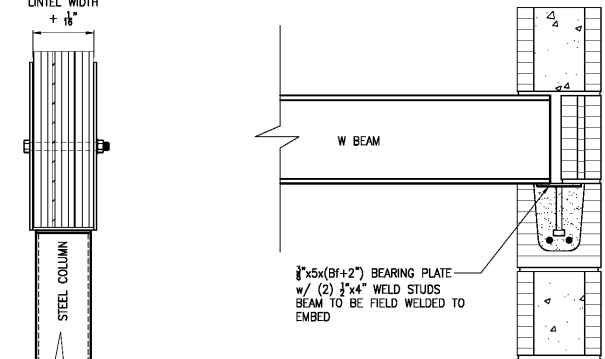
WOOD LINTEL TO COLUMN SADDLE DETAIL
 1 1/2" = 1'-0"



DOUBLE SIDED



SINGLE SIDED



BEAM TO MASONRY WALL DETAIL
 1 1/2" = 1'-0"

Order Plans @

INTERSECTING LINTEL SADDLES DETAIL
 1 1/2" = 1'-0"

WES WHISONANT ENGINEERING SERVICES, LLC
 22 South Carolina 28072
 Lexington, NC (803) 957-4008
 Email: bil@weslex.com

Professional Engineer
 License No. 710207
 State of Florida
 Professional Engineer

NO.	DATE	REVISION

HOME 2 SUITES
 2630 WILDE LAKE BLVD
 PENSACOLA, FL 32526

RELEASED FOR:
 PRELIMINARY ONLY
 BIDDING/PRICING
 PERMIT
 CONSTRUCTION
 DATE: 08-06-18

DRAWING TITLE:
HANGER SCHEDULE

SCALE: AS SHOWN
 PROJECT NO: 037502
 DATE: 08-06-18
 DRAWN BY: LVS
 CHECKED BY: WJW

SHEET NO:
S603