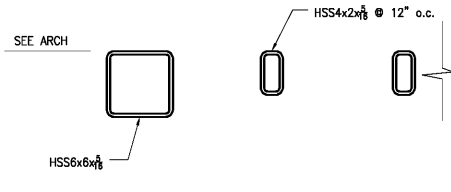


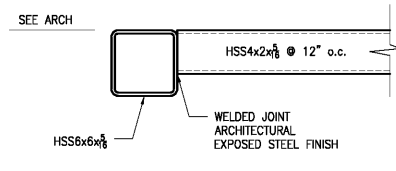
**49 SECTION**

S505 1 1/2" = 1'-0"



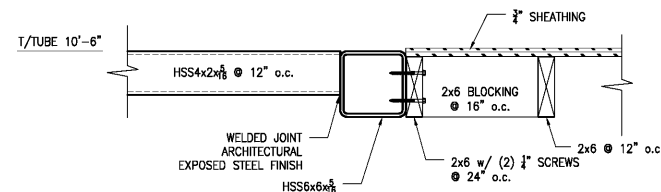
**50 SECTION**

S505 1 1/2" = 1'-0"



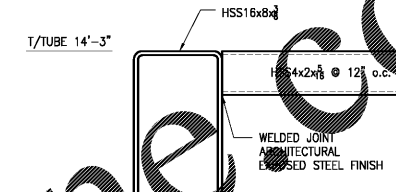
**51 SECTION**

S505 1 1/2" = 1'-0"



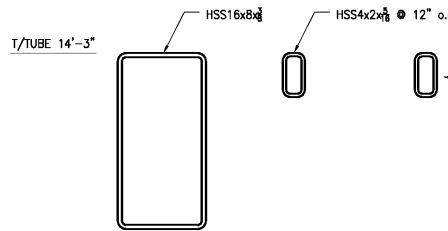
**52 SECTION**

S505 1 1/2" = 1'-0"



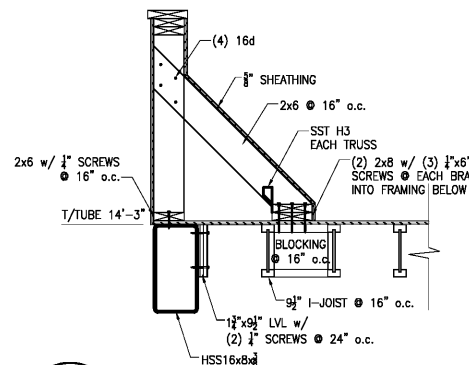
**53 SECTION**

S505 1 1/2" = 1'-0"



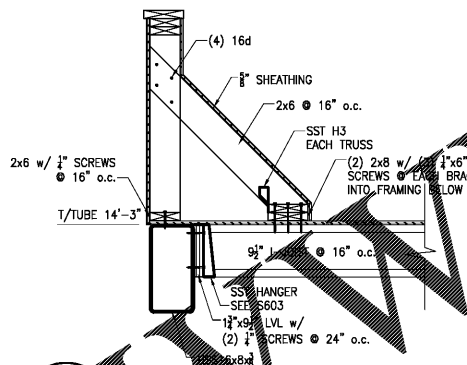
**54 SECTION**

S505 1 1/2" = 1'-0"



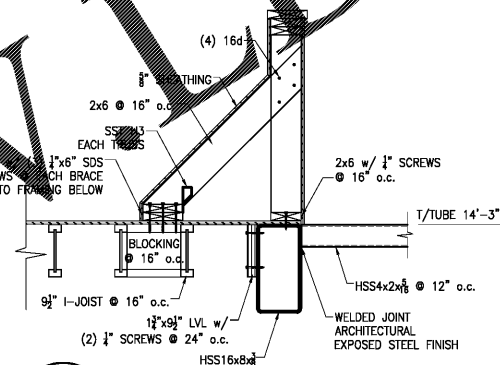
**55 SECTION**

S505 3/4" = 1'-0"



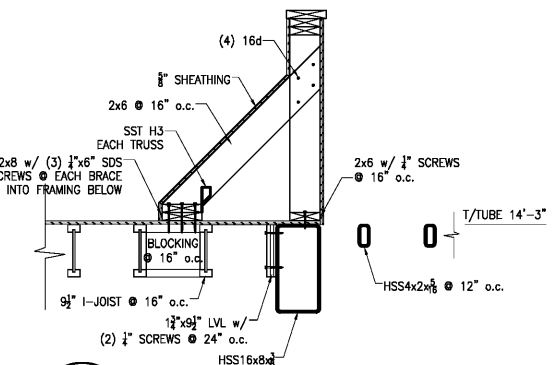
**56 SECTION**

S505 3/4" = 1'-0"



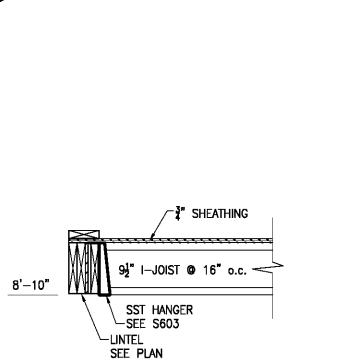
**57 SECTION**

S505 3/4" = 1'-0"



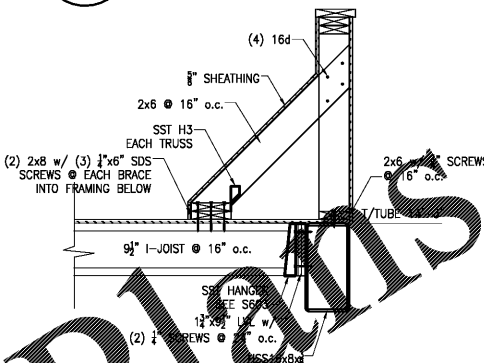
**58 SECTION**

S505 3/4" = 1'-0"



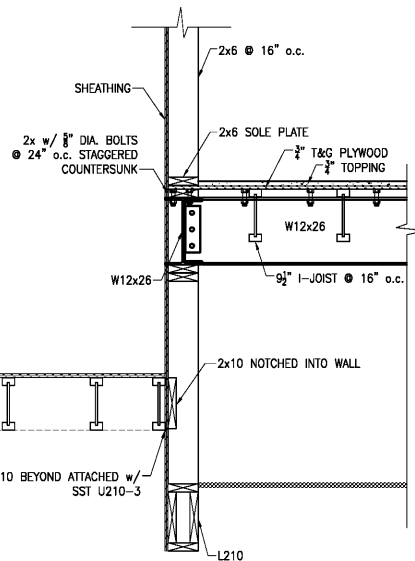
**59 SECTION**

S505 3/4" = 1'-0"



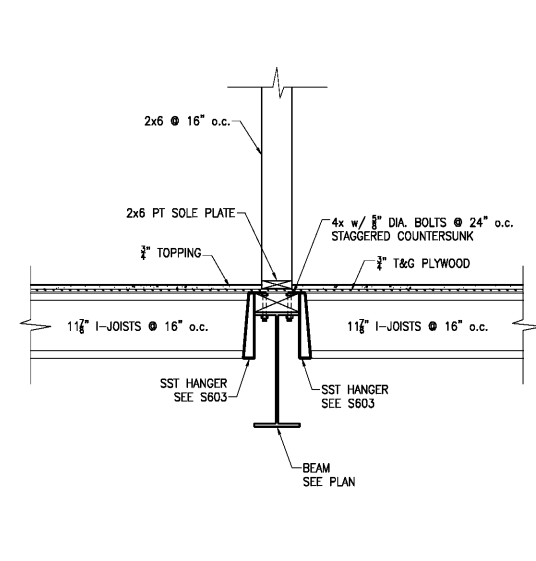
**60 SECTION**

S505 3/4" = 1'-0"



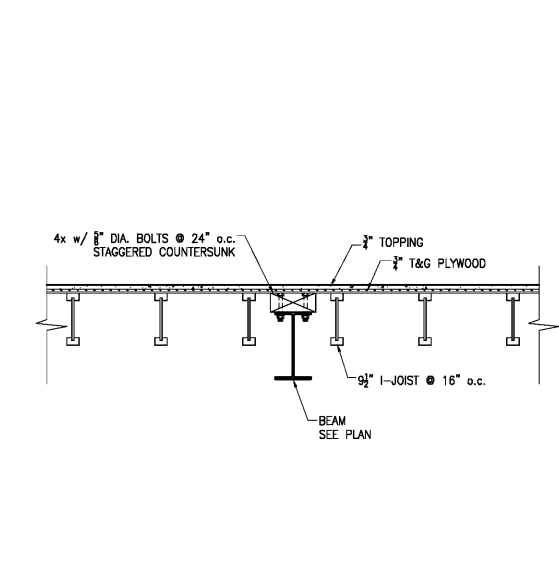
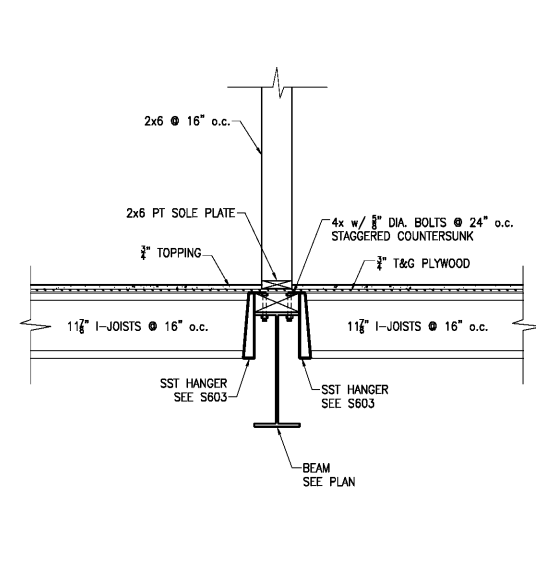
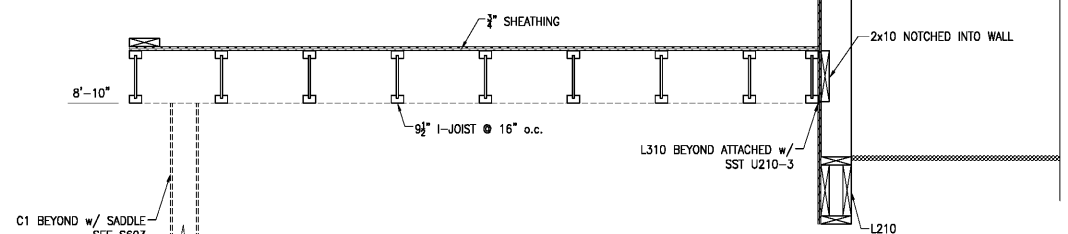
**61 SECTION**

S505 3/4" = 1'-0"



**62 SECTION**

S505 3/4" = 1'-0"



NO.	DATE	REVISION

Order Plans @