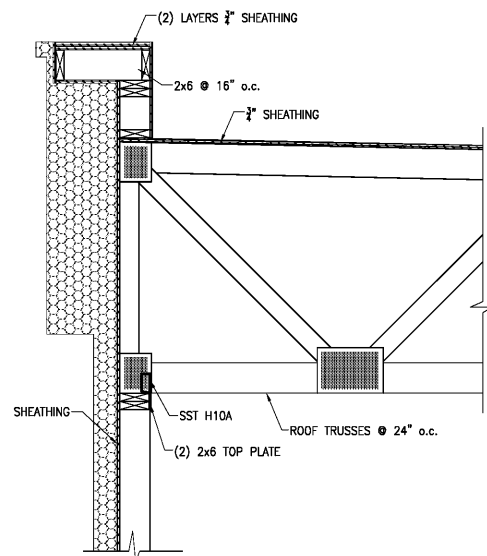


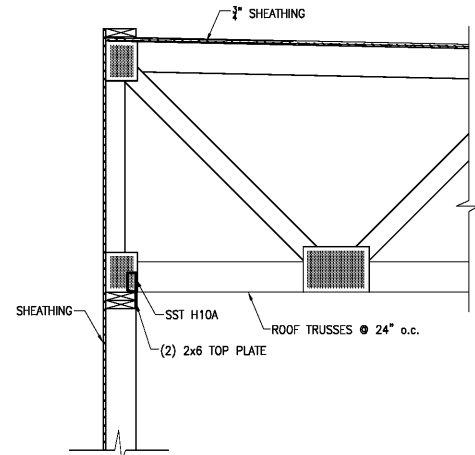
30 SECTION

S503 3/4" = 1'-0"



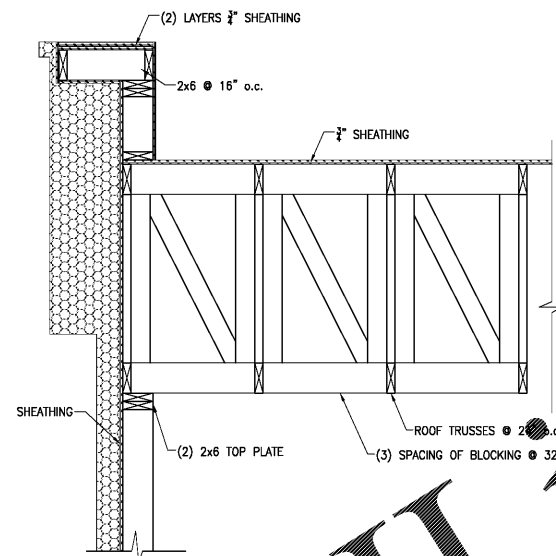
31 SECTION

S503 3/4" = 1'-0"



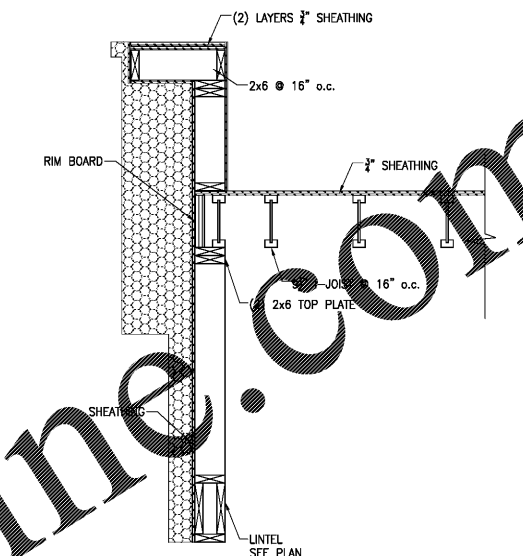
32 SECTION

S503 3/4" = 1'-0"



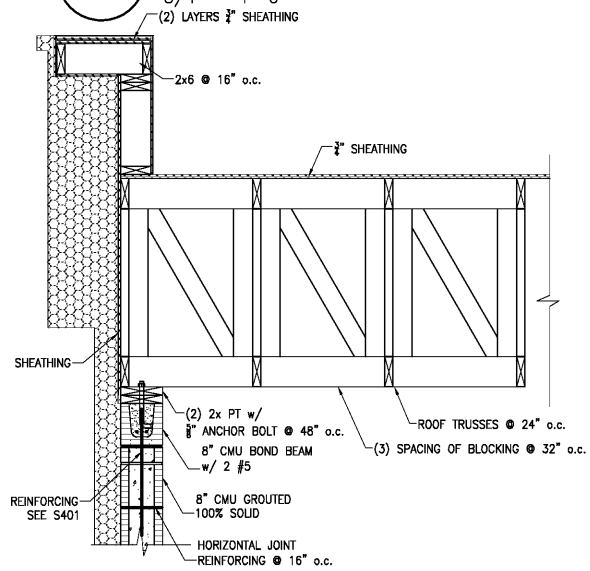
33 SECTION

S503 3/4" = 1'-0"



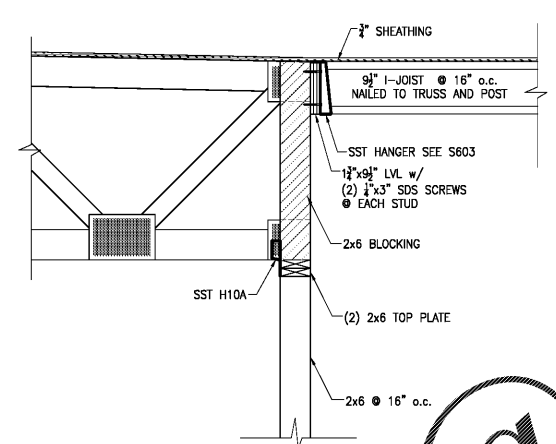
34 SECTION

S503 3/4" = 1'-0"



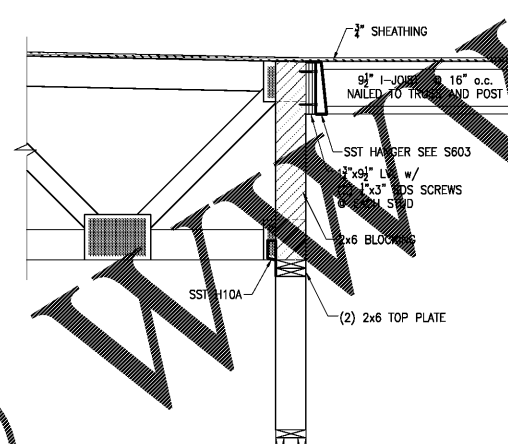
35 SECTION

S503 3/4" = 1'-0"



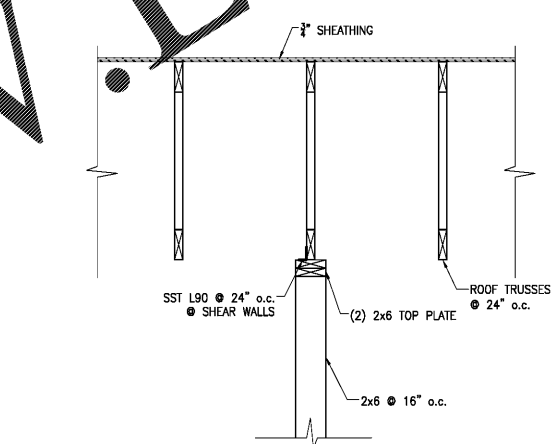
36 SECTION

S503 3/4" = 1'-0"



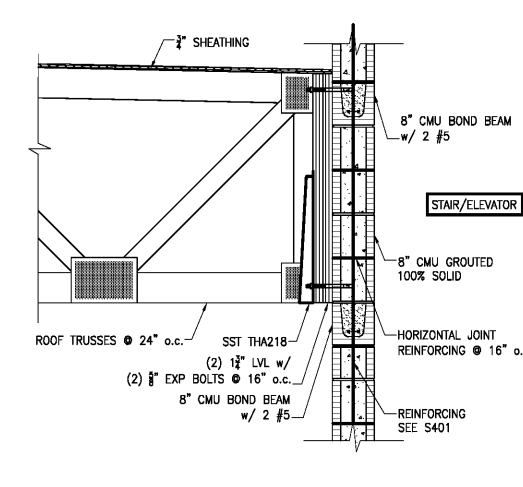
37 SECTION

S503 3/4" = 1'-0"



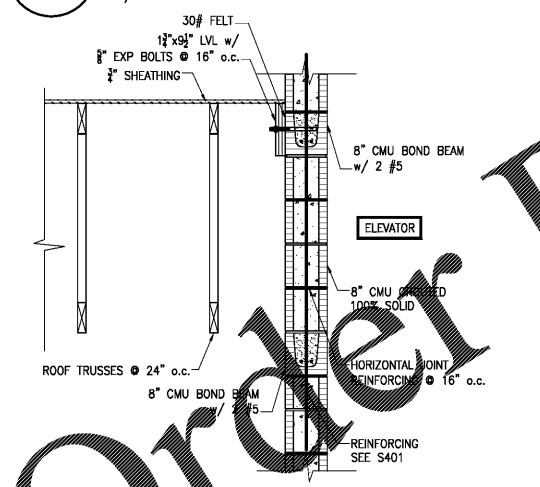
38 SECTION

S503 3/4" = 1'-0"



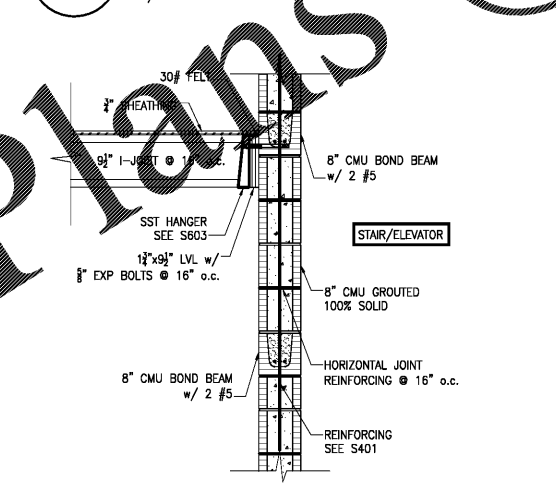
39 SECTION

S503 3/4" = 1'-0"



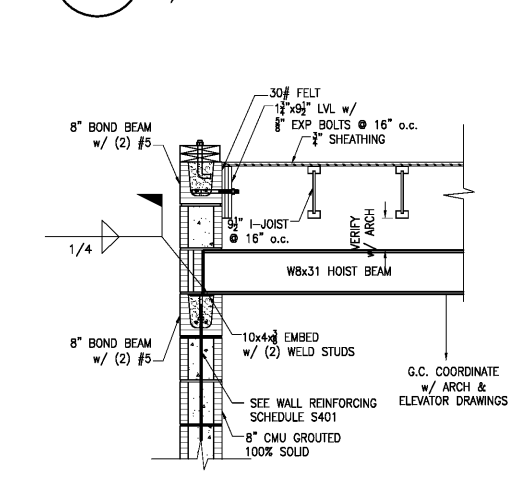
40 SECTION

S503 3/4" = 1'-0"



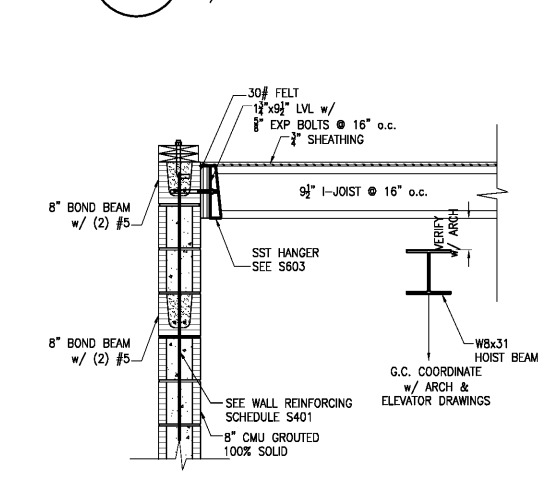
41 SECTION

S503 3/4" = 1'-0"



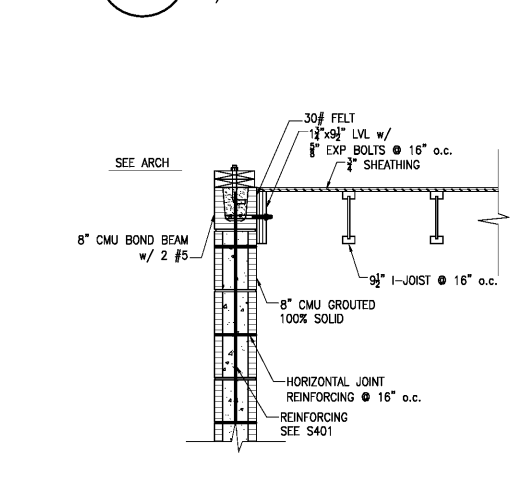
42 SECTION

S503 3/4" = 1'-0"



43 SECTION

S503 3/4" = 1'-0"



44 SECTION

S503 3/4" = 1'-0"

Order Plans @

WES
WHISONANT
ENGINEERING
SERVICES, LLC
22 South Carolina Street
Leakinston, NC 28072
(803) 957-4008
Email: bil@wesnet.com

This Drawing and The
Associated Specifications
Are the Property of
Whisonant Engineering
Services, LLC. No Part
of This Drawing, Copying,
Reproduction, or
Transmission in Any
Form or by Any Means
Without the Written
Consent of Whisonant
Engineering Services, LLC
is Prohibited.

STATE OF FLORIDA
Professional Engineer
No. 71020
08/06/18
WILLIAM O. WILSON
LICENSED PROFESSIONAL ENGINEER

NO.	DATE	REVISION

HOME SUITES
2630 WILDE LAKE BLVD
PENSACOLA, FL 32526

RELEASED FOR:
PRELIMINARY ONLY
BIDDING/PRICING
PERMIT
CONSTRUCTION
DATE: 08-06-18

DRAWING TITLE:

FRAMING SECTIONS

SCALE: AS SHOWN
PROJECT NO: 037502
DATE: 08-06-18
DRAWN BY: JVS
CHECKED BY: WJW

SHEET NO:
S503