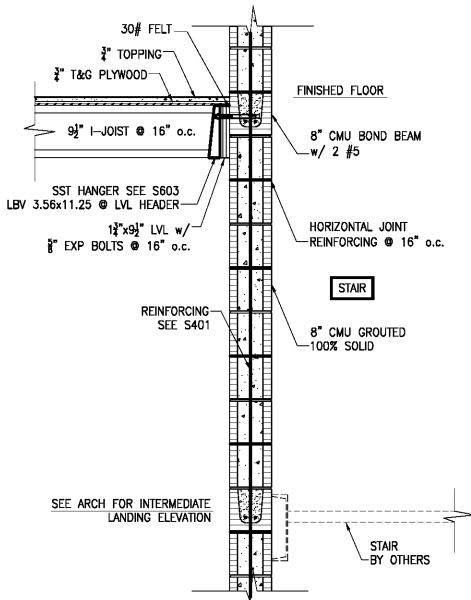
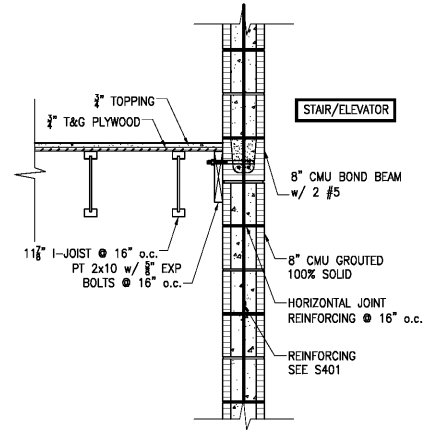


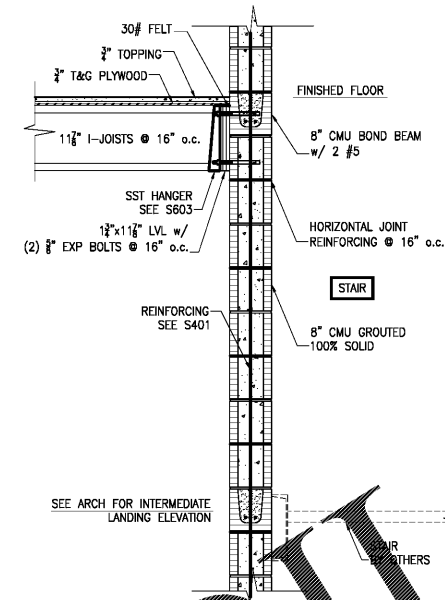
15 SECTION
S502 3/4" = 1'-0"



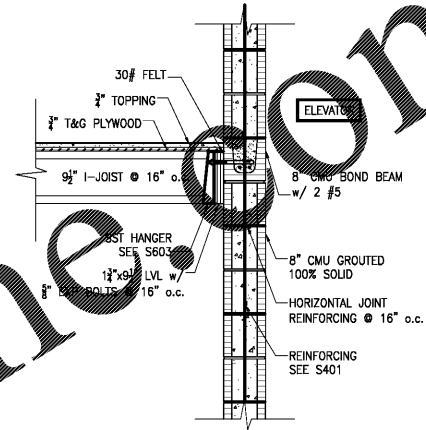
16 SECTION
S502 3/4" = 1'-0"



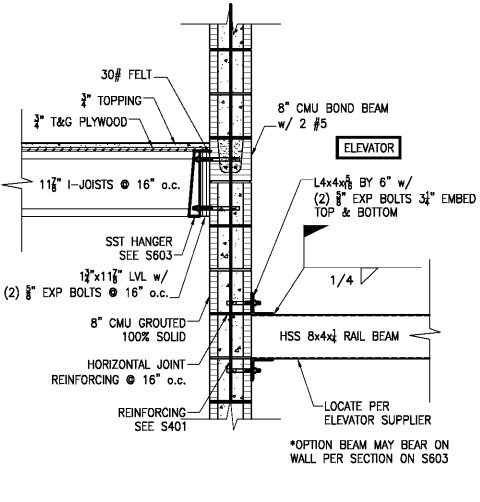
17 SECTION
S502 3/4" = 1'-0"



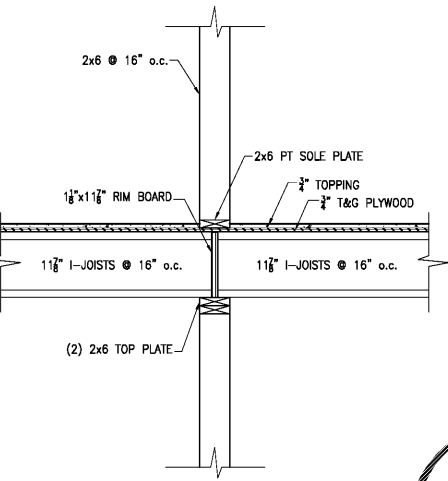
18 SECTION
S502 3/4" = 1'-0"



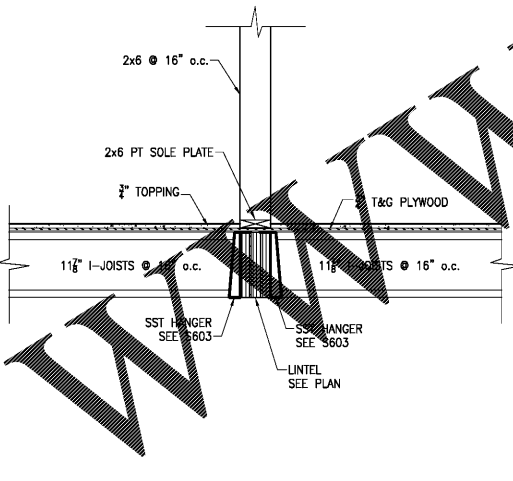
19 SECTION
S502 3/4" = 1'-0"



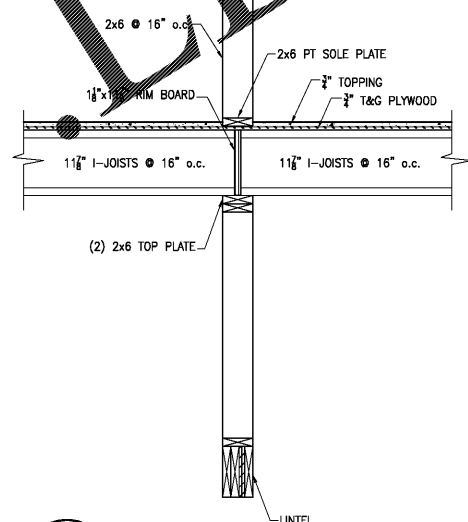
20 SECTION
S502 3/4" = 1'-0"



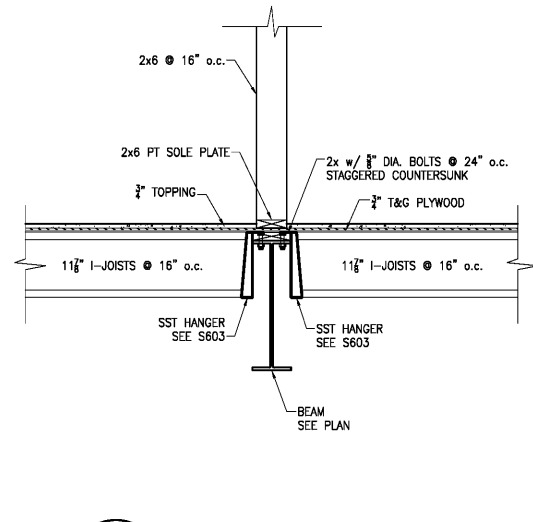
21 SECTION
S502 3/4" = 1'-0"



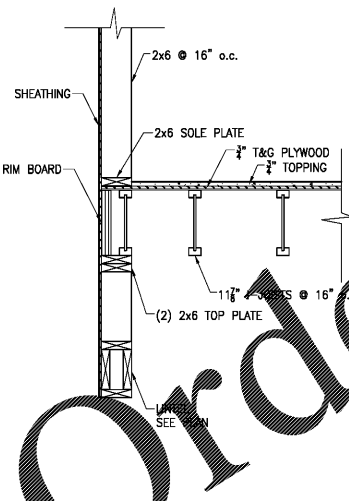
22 SECTION
S502 3/4" = 1'-0"



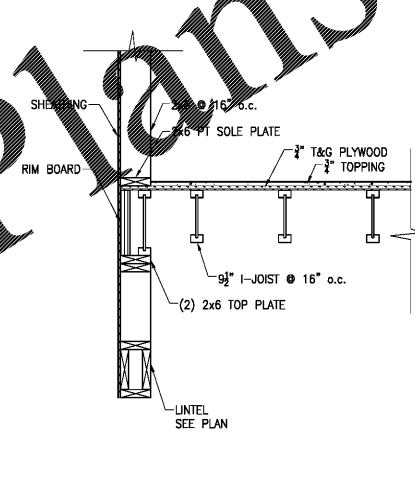
23 SECTION
S502 3/4" = 1'-0"



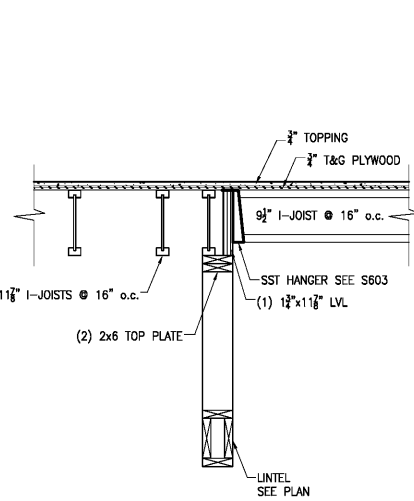
24 SECTION
S502 3/4" = 1'-0"



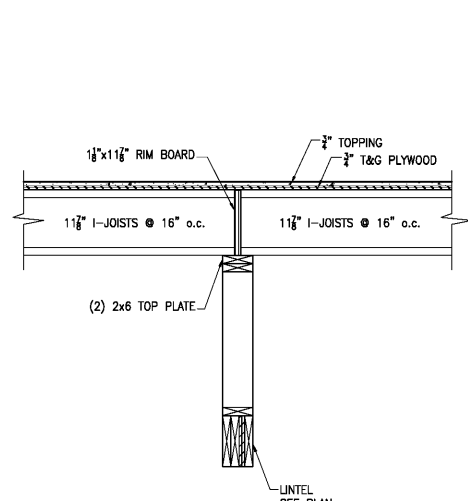
25 SECTION
S502 3/4" = 1'-0"



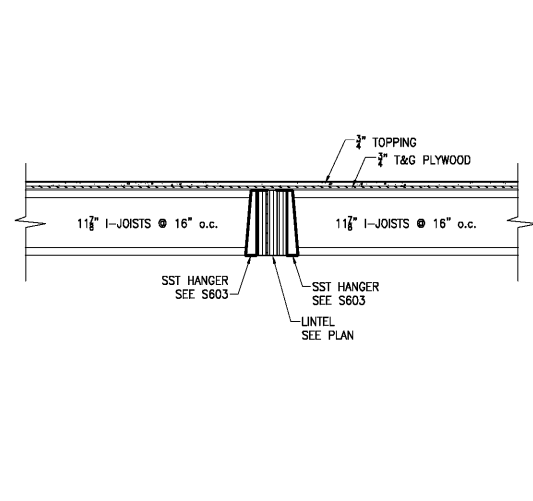
26 SECTION
S502 3/4" = 1'-0"



27 SECTION
S502 3/4" = 1'-0"



28 SECTION
S502 3/4" = 1'-0"

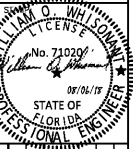


29 SECTION
S502 3/4" = 1'-0"

Order Plans @ WWW.LDOnline.com

WES WHISONANT
ENGINEERING
SERVICES, LLC
22 South Carolina Street
Leakwood, NC 28072
(803) 957-4008
Email: bill@weslex.com

This Drawing and The
Information Hereon
Are the Property of
Whisonant Engineering
Services, LLC. No
Reproduction, Copying,
Distribution, or
Transmission in Any
Form or by Any
Means, Without the
Written Consent of
Whisonant Engineering
Services, LLC, is
Expressly Prohibited.



| NO. | DATE | REVISION |
|-----|------|----------|
| | | |
| | | |
| | | |

HOME SUITES
2630 WILDE LAKE BLVD
PENSACOLA, FL 32526

RELEASED FOR:
PRELIMINARY ONLY
BIDDING/PRICING
PERMIT
CONSTRUCTION
DATE: 08-06-18

DRAWING TITLE:
FRAMING SECTIONS

SCALE: AS SHOWN
PROJECT NO: 087502
DATE: 08-06-18
DRAWN BY: JVS
CHECKED BY: WJW
SHEET NO:
S502