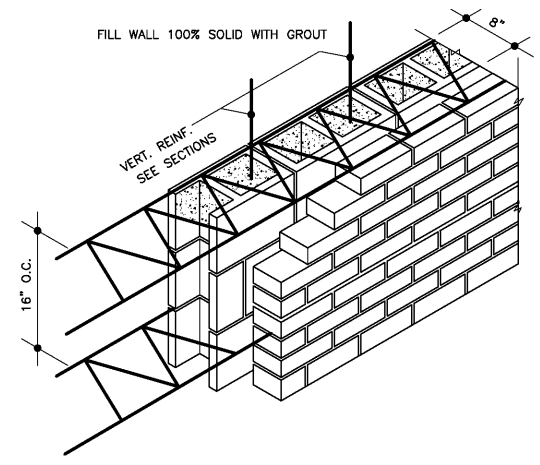
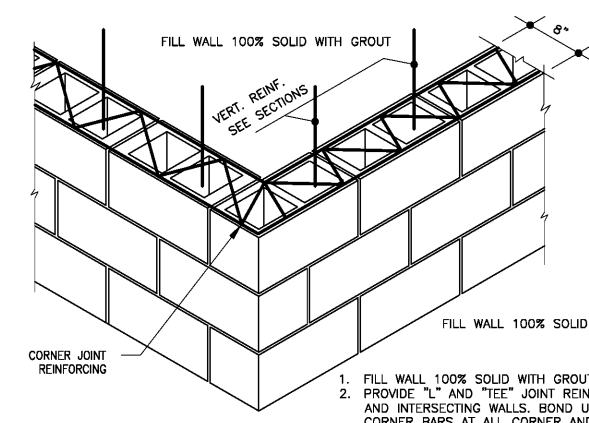


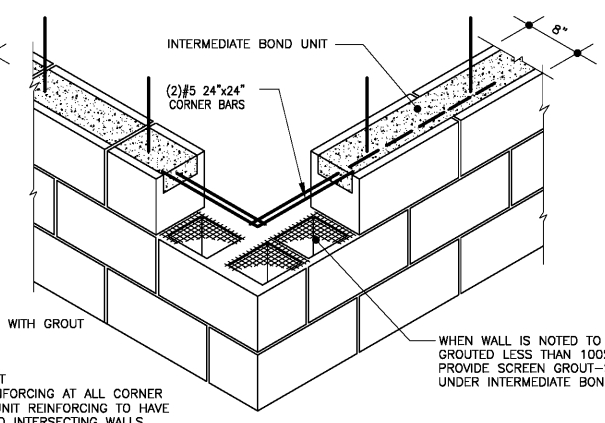
NO.	DATE	REVISION



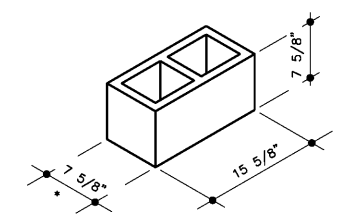
TYP. JOINT REINF.
8" C.M.U. WALLS
 NO SCALE



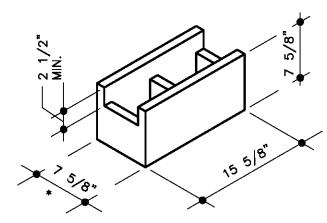
TYP. JOINT REINF.
8" C.M.U. WALLS
 NO SCALE



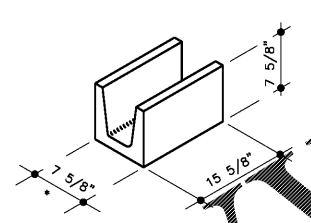
TYP. REINF.
(VERT. & HORIZ.)
8" C.M.U. WALLS
 NO SCALE



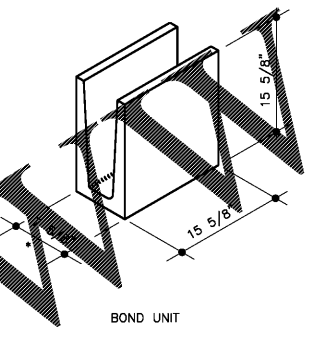
UTILITY UNIT



INTERMEDIATE BOND UNIT

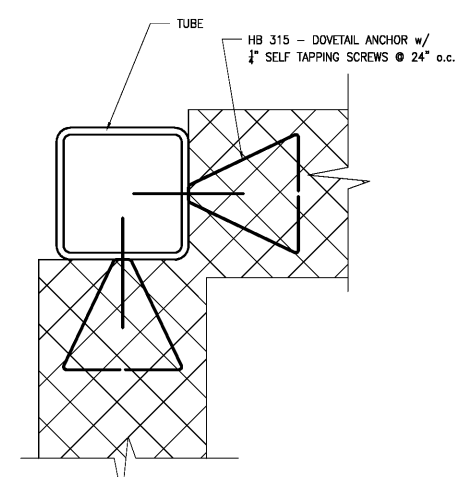


BOND UNIT

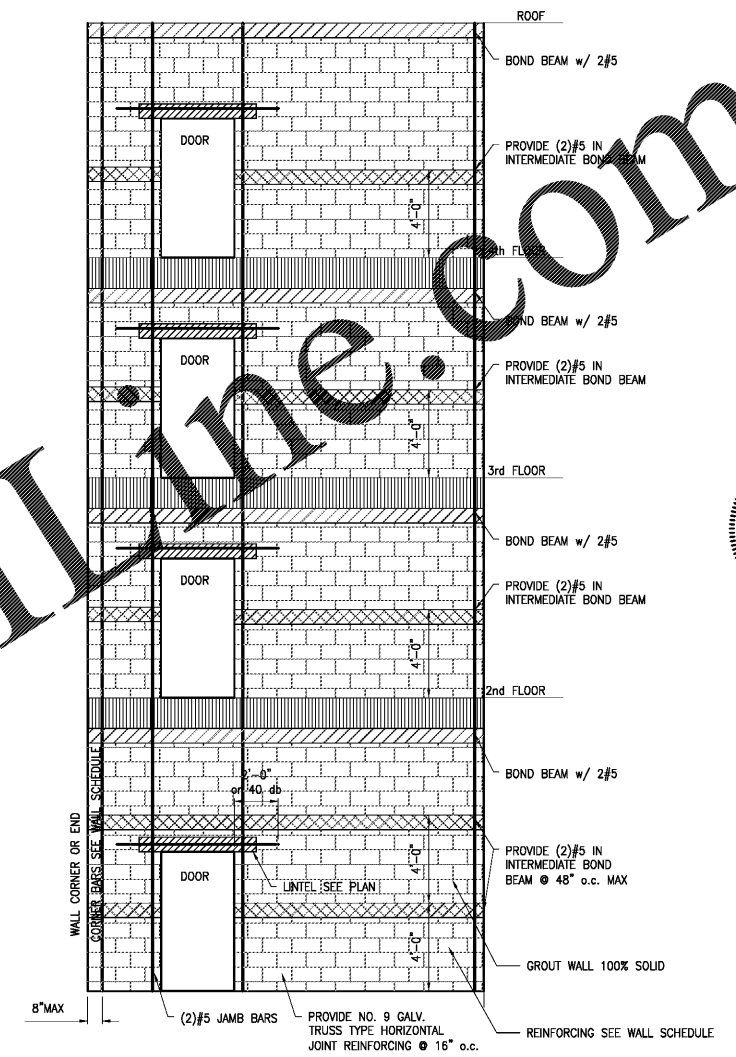


BOND UNIT

8" C.M.U.
 NO SCALE
 • 8 5/8" FOR 6" C.M.U.
 • 9 5/8" FOR 10" C.M.U.
 • 11 5/8" FOR 12" C.M.U.



COLUMN/CMU WALL DETAIL
 3" = 1'-0"



CMU SHEAR WALL REINFORCING

SCALE: NOT TO SCALE

WALL REINFORCING SCHEDULE				
LEVEL	WALL MATERIAL	STAIR	ELEVATOR	
4TH	8" CMU GROUT 100% SOLID	(1) #5@24" CORNER BARS (3) #7	(1) #5@24" CORNER BARS (3) #7	BOND BEAM (2)#5 AT TOP OF WALL SEE DETAILS SHT S401
3RD	8" CMU GROUT 100% SOLID	(1) #5@24" CORNER BARS (3) #7	(1) #5@24" CORNER BARS (3) #7	BOND BEAM (2)#5 AT TOP OF WALL SEE DETAILS SHT S401
2ND	8" CMU GROUT 100% SOLID	(2) #5@24" CORNER BARS (4) #7	(2) #5@24" CORNER BARS (4) #7	BOND BEAM (2)#5 AT TOP OF WALL SEE DETAILS SHT S401
1ST	8" CMU GROUT 100% SOLID	(2) #5@24" CORNER BARS (4) #7	(2) #5@24" CORNER BARS (4) #7	BOND BEAM (2)#5 AT TOP OF WALL SEE DETAILS SHT S401
		LAP #5 24" LAP #7 42"		CORNER BARS LAYOUT

GC HAS THE OPTION OF USING REBAR COUPLERS FOR #7 BARS - DAYTON D250SCA - 7.

Order Plans @