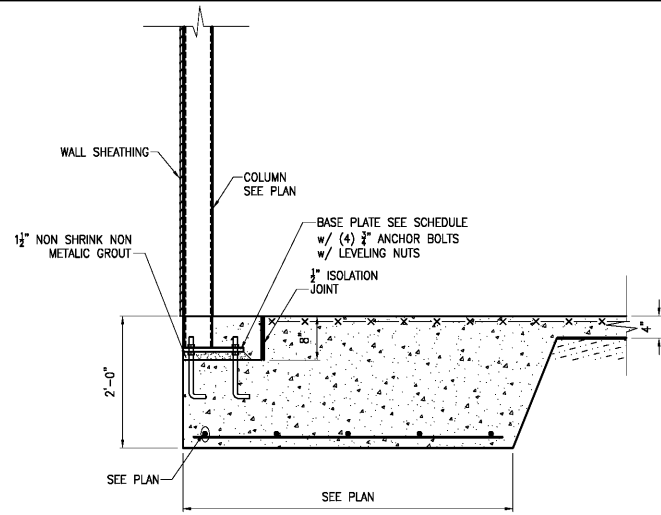
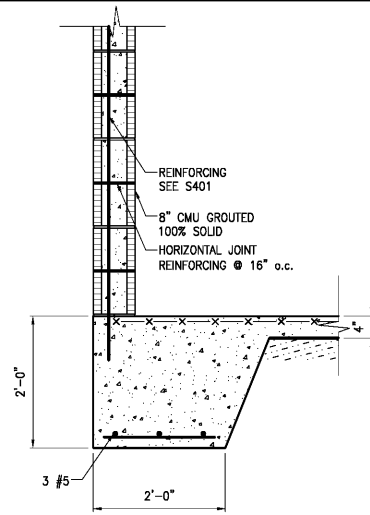


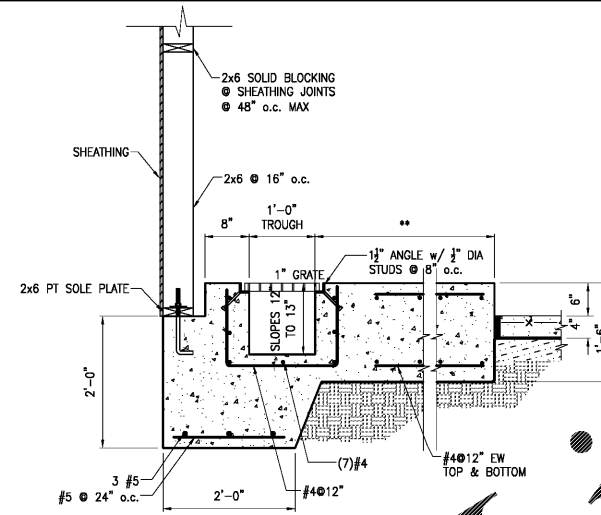
1 SECTION
S301 3/4" = 1'-0"



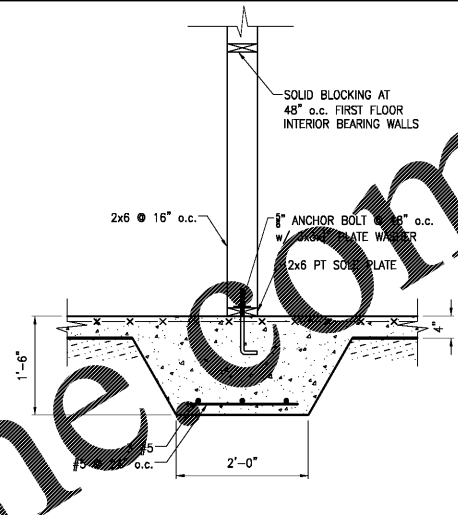
2 SECTION
S301 3/4" = 1'-0"



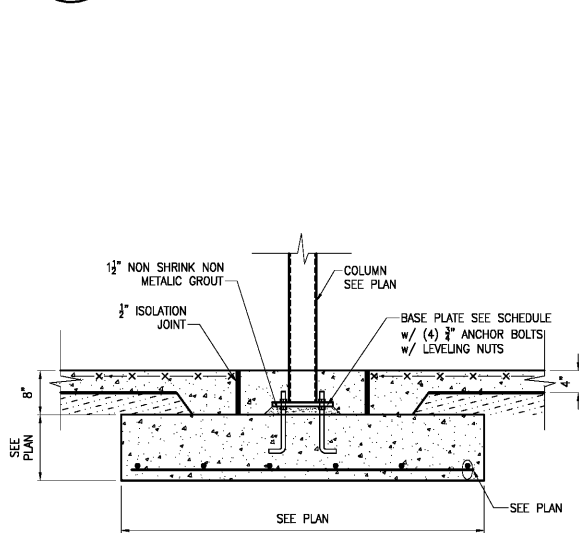
3 SECTION
S301 3/4" = 1'-0"



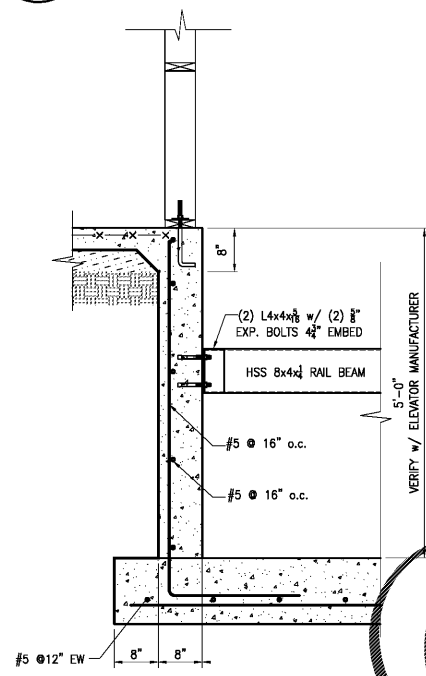
4 SECTION
S301 3/4" = 1'-0"



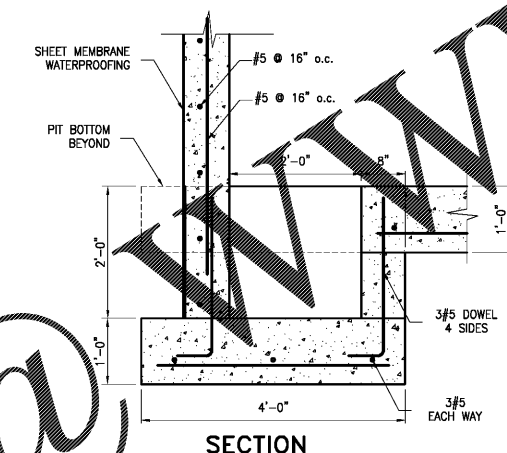
5 SECTION
S301 3/4" = 1'-0"



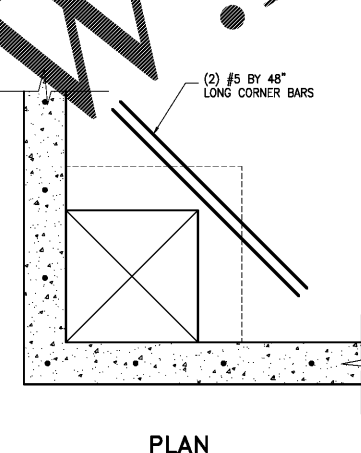
6 SECTION
S301 3/4" = 1'-0"



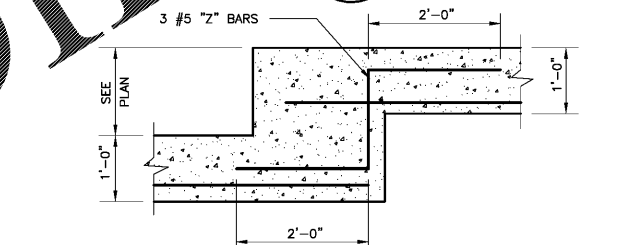
ELEVATOR PIT SECTION
3/4" = 1'-0"



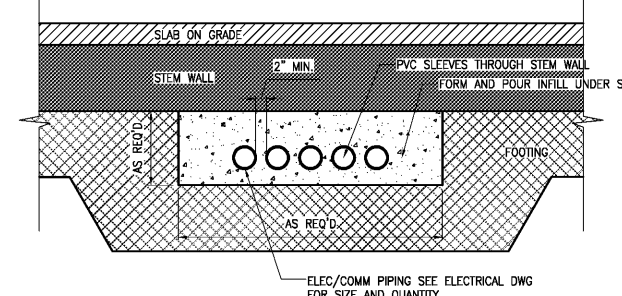
ELEVATOR SUMP PIT DETAIL
3/4" = 1'-0" G.C. TO COORDINATE LOCATION



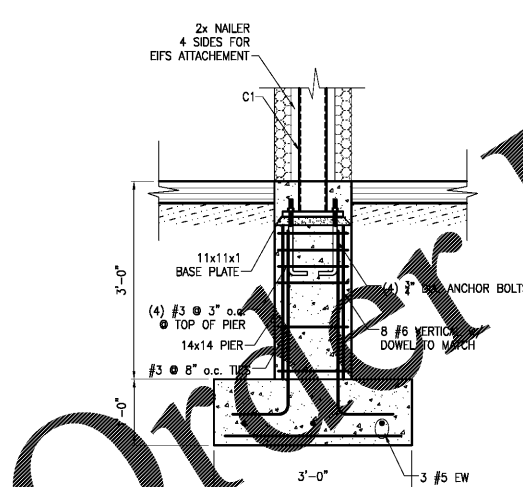
PLAN



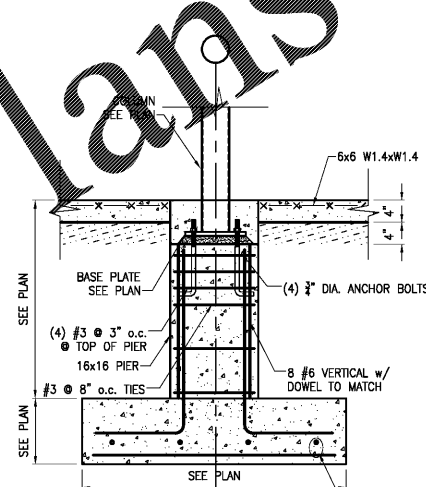
STEP FTG. DETAIL
3/4" = 1'-0"



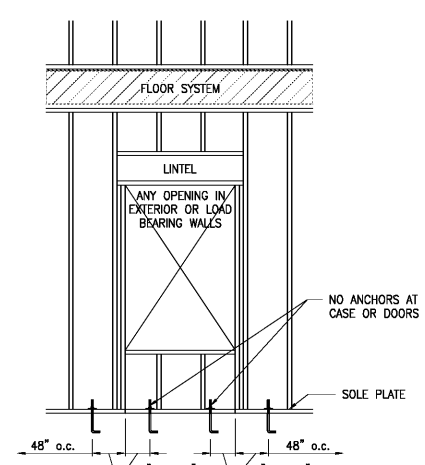
FOOTING AT ELECTRICAL PIPING
3/4" = 1'-0"



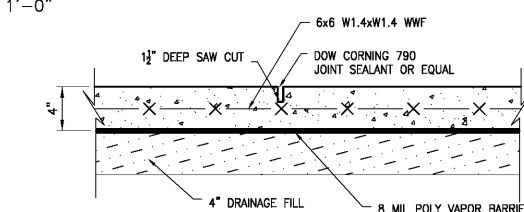
7 SECTION
S301 3/4" = 1'-0"



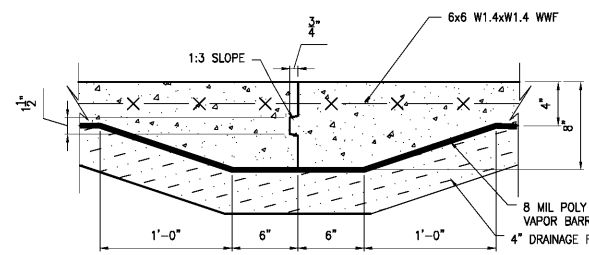
PIER P1 DETAIL
3/4" = 1'-0"



ANCHOR BOLTS AT OPENINGS
3/8" = 1'-0" IBC 2308.6



SAW JOINT



KEYED JOINT

CONTROL JOINT DETAIL - OPTIONS
1 1/2" = 1'-0" EITHER SAWED OR KEYED JOINT MAY BE USED FOR CONTROL JOINTS SHOWN PROVIDE KEYED JOINT ONLY AT POUR STOPS

WES WHISONANT ENGINEERING SERVICES, LLC
22 South Carolina 28072
Leadville, CO (303) 957-4008
Email: bil@wesetex.com

This Drawing and The Work It Represents are the Property of Whisonant Engineering Services, LLC. No Part of This Drawing or Work May be Reproduced, Stored in a Retrieval System, or Transmitted in Any Form or by Any Means, Without the Prior Written Consent of Whisonant Engineering Services, LLC. Any Infringement Will Be Sued and Punished to the Full Extent of the Law.

WILLIAM O. WHISONANT
No. 710207
08/06/18
STATE OF FLORIDA
PROFESSIONAL ENGINEER

NO.	DATE	REVISION

HOME 2 SUITES
2630 WILDE LAKE BLVD
PENSACOLA, FL 32526

RELEASED FOR:
PRELIMINARY ONLY
BIDDING/PRICING
PERMIT
CONSTRUCTION
DATE: 08-06-18

DRAWING TITLE:
FOUNDATION SECTIONS

SCALE: AS SHOWN
PROJECT NO: 037502
DATE: 08-06-18
DRAWN BY: JVS
CHECKED BY: WJW
SHEET NO:
S301

Order Plans @ WWW.LDLINE.COM