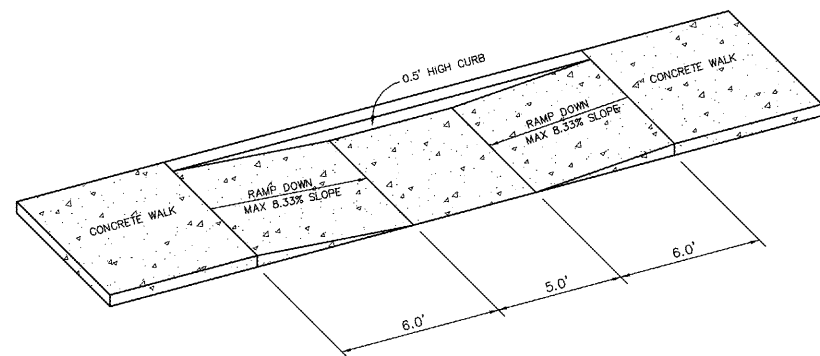
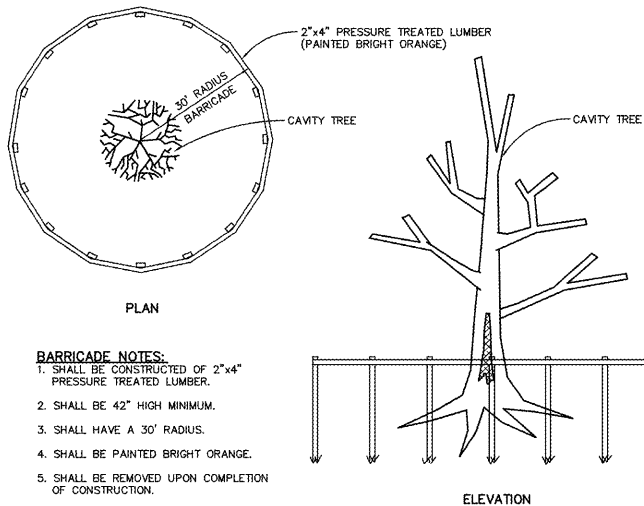


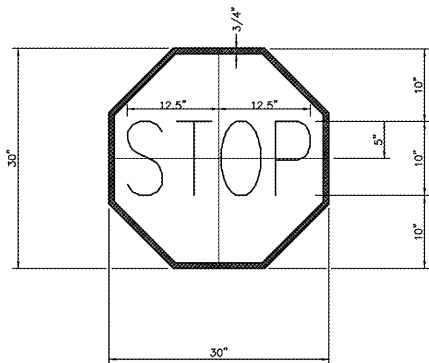
PRECAST CONCRETE BUMPER DETAIL  
N.T.S.



SIDEWALK HANDICAP RAMP DETAIL  
N.T.S.

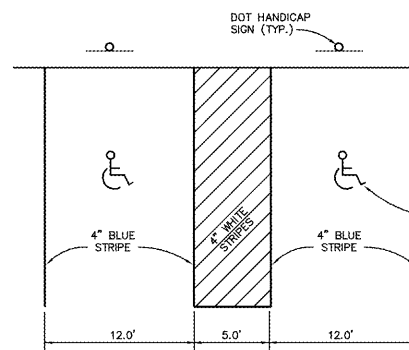


TREE PROTECTION DETAIL  
N.T.S.

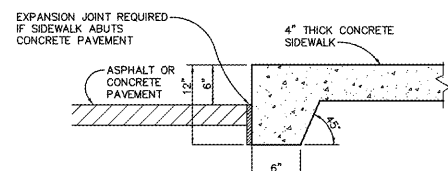


STOP SIGN DETAIL  
N.T.S.

NOTE:  
SIGN DESIGNATION: R1-1 (REFL.)  
RELECTORIZATION: LEGEND, BORDER (REFL.)  
BACKGROUND  
SIGN COLORS: LEGEND, BORDER (WHITE)  
BACKGROUND (RED)

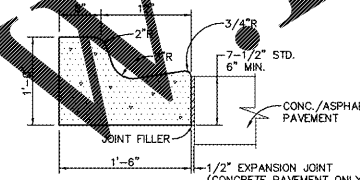


HANDICAP AREA STRIPING DETAIL  
N.T.S.



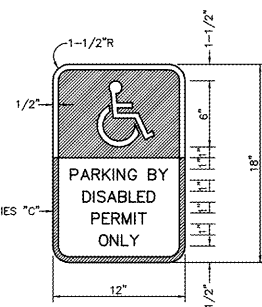
SIDEWALK THICKENED EDGE DETAIL  
N.T.S.

THICKENED EDGE SIDEWALK SHALL BE INSTALLED WHEN SIDEWALK ABUTS PAVED PARKING AREAS OR STREETS.

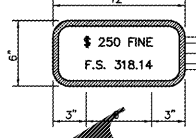


CONCRETE CURB AND GUTTER DETAIL  
N.T.S.

WHEN USED ON HIGH SIDE OF ROADWAYS, THE CROSS SLOPE OF THE GUTTER SHALL MATCH THE CROSS SLOPE OF THE ADJACENT PAVEMENT AND THE THICKNESS OF THE LIP SHALL BE 6\"/>

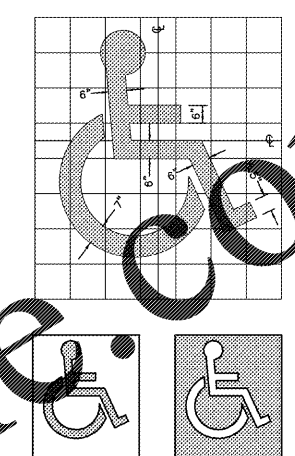


(F.D.O.T. INDEX #17355)



(F.D.O.T. INDEX No. 17355)

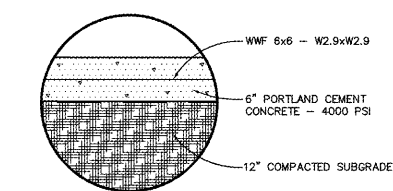
NOTE: PANEL SHALL BE INSTALLED UNDER THE LEGEND OR BORDER OF HANDICAP PARKING SIGN.



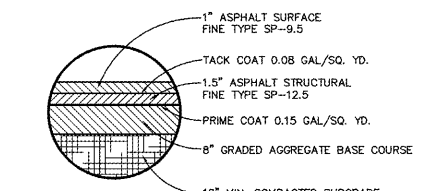
COLOR CONTRAST  
CHARACTERS AND SYMBOLS SHALL CONTRAST WITH THEIR BACKGROUNDS - EITHER LIGHT CHARACTERS ON A DARK BACKGROUND OR DARK CHARACTERS ON A LIGHT BACKGROUND.

HANDICAP SYMBOL DETAIL  
N.T.S.

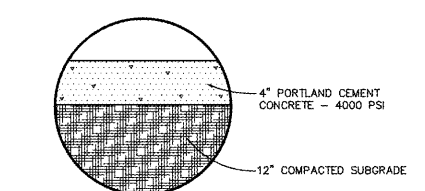
SYMBOL SHALL BE PAINTED BLUE AND TO THE DIMENSIONS SHOWN



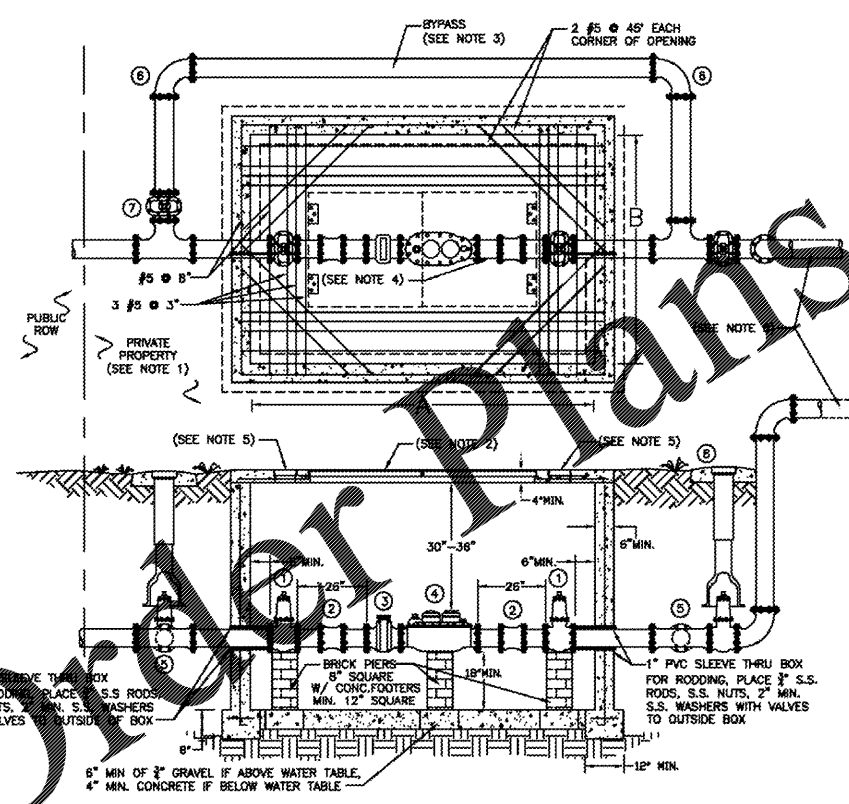
6\"/>



2.5\"/>



4\"/>



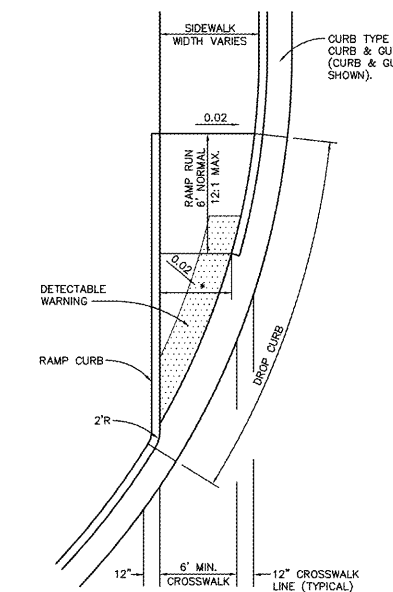
2\", 3\"/>

- NOTES:
- METER VALVES ARE USUALLY PLACED IN AN EASTERN OR PRIVATE PROPERTY ADJUTING ROW LINE (SEE ECUA ENGINEERING FOR INFORMATION). METER SHALL NOT BE FENCED IN.
  - ALUMINUM OR GALVANIZED STEEL ANGLE FRAME HATCH WITH ALUMINUM DOUBLE COVER, SIZE 36\"/>

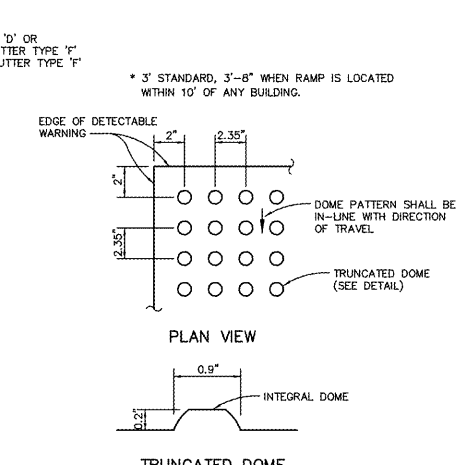
METER SIZE	METER BOX (INSIDE DIMENSIONS)	
	A	B
2"	6'6"	4'6"
3" & 4"	9'0"	5'0"

LEGEND

- M.J. GATE VALVE (3" OR LARGER) OR WHEEL VALVE (2" ONLY)
- 12" SOLID SLEEVE (3" & LARGER) OR DRESSER COUPLING (2" ONLY)
- STRAINER (BY ECUA)
- METER (BY ECUA)
- M.J. TEE
- M.J. ELBOW 90°
- M.J. GATE VALVE & BOX
- OWNER CONTROL GATE VALVE



HANDICAP RAMP DETAIL  
(F.D.O.T. INDEX No. 304)  
N.T.S.



TRUNCATED DOME

NOTE:  
CURB RAMP DETECTABLE WARNING SURFACES SHALL EXTEND THE FULL WIDTH OF THE RAMP AND IN THE DIRECTION OF TRAVEL 24\"/>

CHOCTAW ENGINEERING, INC.  
ENGINEERING • ENVIRONMENTAL • SURVEYING  
112 TRUXTON AVENUE  
FORT WALTON BEACH, FLORIDA 32547  
PHONE: 850-962-6611  
FAX: 850-962-8059  
EMAIL: ce@choctaweng.com

CEI

HOME2 SUITES  
MISCELLANEOUS DETAILS  
Not valid unless bearing Engineer's embossed seal.  
MARK C. SNER, P.E.  
FL. REG. NO. 48831

Job No.: 2017-130-A  
Date: 26 JUNE 2018  
Fld. Vol.: N/A  
Scale: N/A  
Disk No.: 17130A-MISC  
Designed: MCS  
Drawn: SVD/KMB  
Checked: MCS  
Sheet

THIS SHEET IS THE PROPERTY OF CEI & IS NOT TO BE REPRODUCED WITHOUT WRITTEN CONSENT FROM CEI.