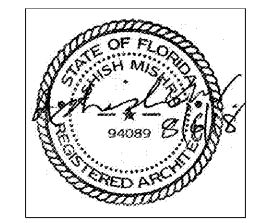


REVISIONS		
No.	Date	Description

Information contained on this drawing and in all digital files associated is authorized for use on the project named herein only and is the property of MISHRA ARCHITECTURE PLLC and may not be reproduced in any manner without express written or verbal permission from authorized individuals. Original drawing is 24"x36" and scales are as indicated. © 2008 MISHRA ARCHITECTURE PLLC



**KEY PLAN**

VTM Hotels, LLC

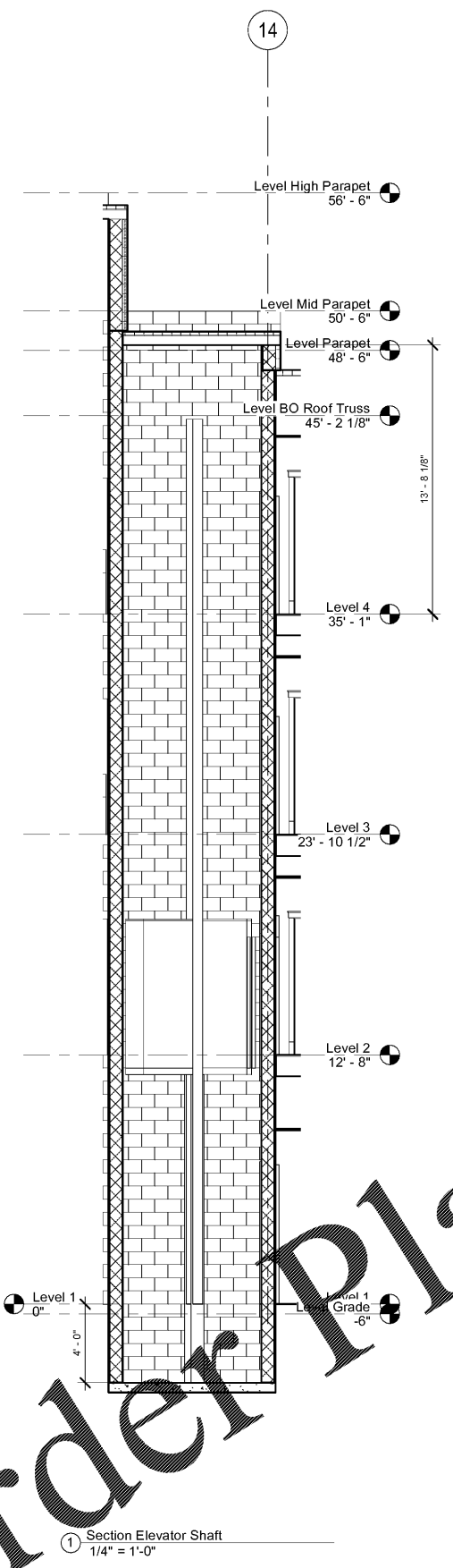
Home2Suites

2630 Wilde Lake Blvd.  
 Pensacola, FL 32526

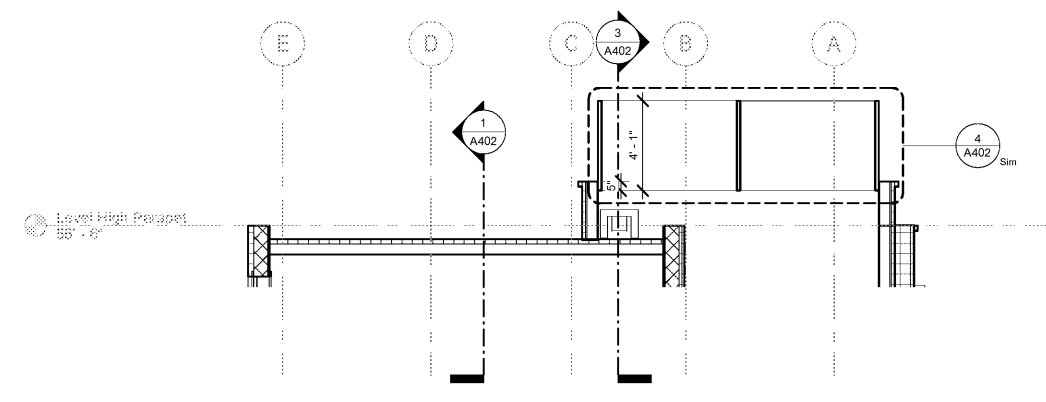
Drawing Title  
 Section and Details

Phase  
 Construction Documents

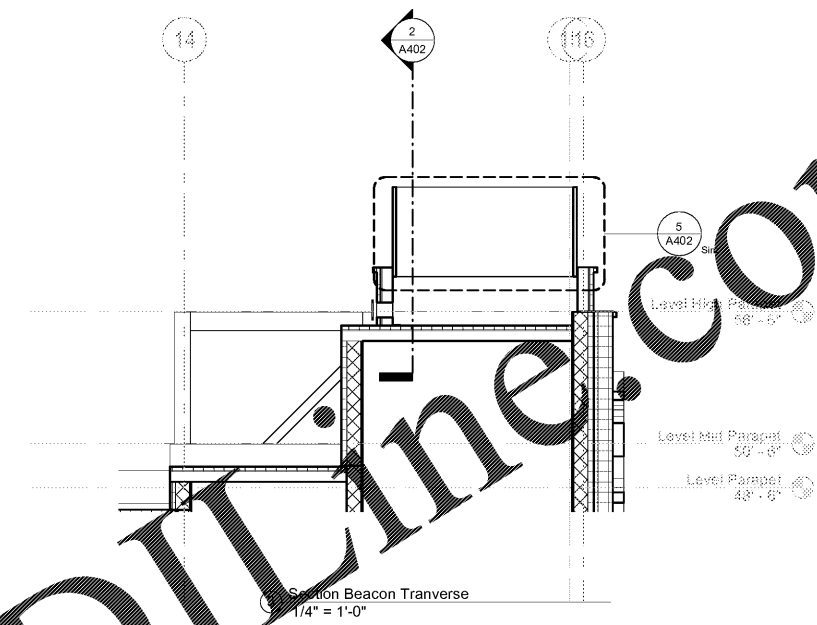
Project No.	17-101	Sheet No.	A402
Prepared by	Author	Checked by	Checker
Date	Aug 06, 2018	Review	



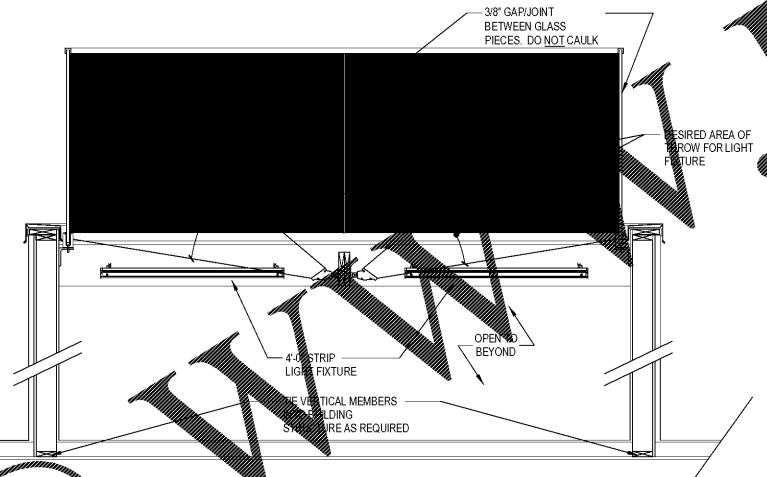
① Section Elevator Shaft  
 1/4" = 1'-0"



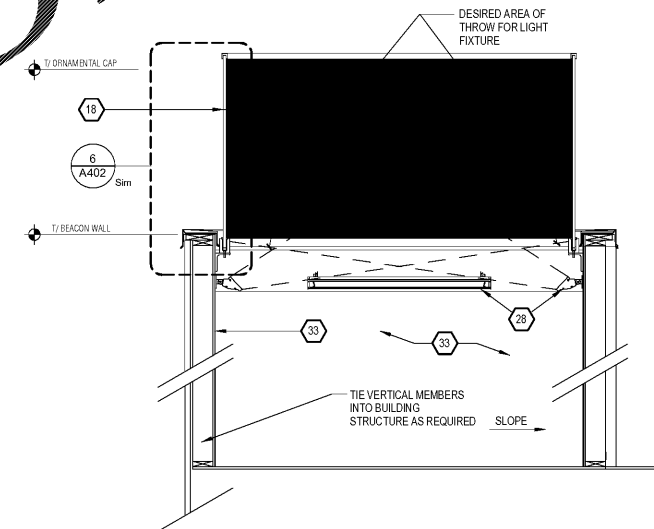
② Section Beacon Longitudinal  
 1/4" = 1'-0"



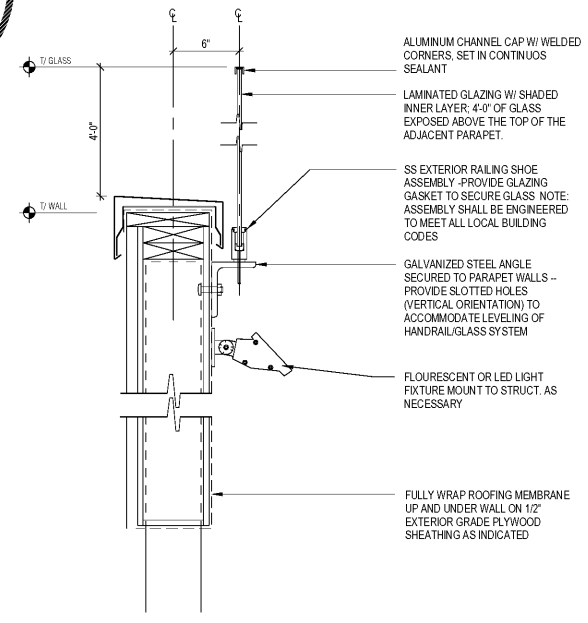
③ Section Beacon Transverse  
 1/4" = 1'-0"



④ Beacon Longitudinal  
 1/2" = 1'-0"



⑤ Beacon Transverse  
 1/2" = 1'-0"



⑥ Beacon connection  
 1 1/2" = 1'-0"

**Order Plans @ WWW.LDIDLINE.COM**