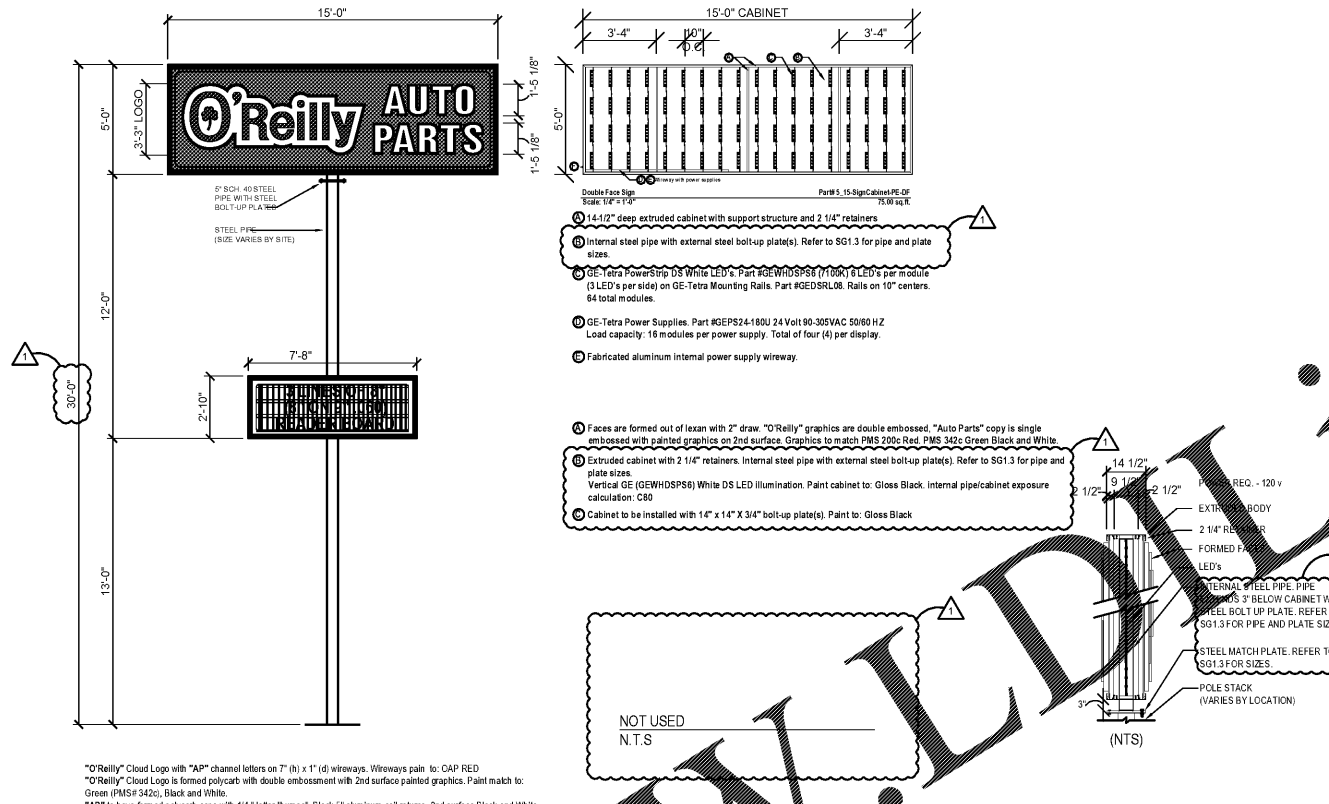
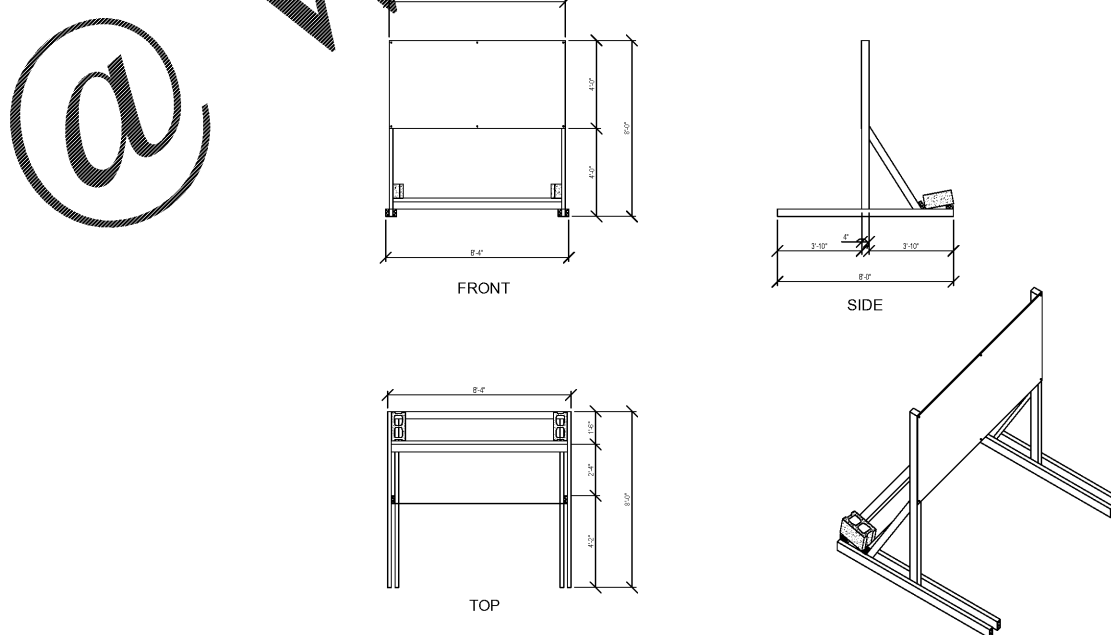


Order Plans @



**2 GROUND SIGN ELEVATION**  
**SG1.2** SCALE: 1/4" = 1'-0"



**1 COMING SOON TEMPORARY CONSTRUCTION SIGN**  
**SG1.2** SCALE: 1/4" = 1'-0"

**GENERAL NOTES**

- A REFER TO PROJECT MANUAL FOR ADDITIONAL REQUIREMENTS.
- B CONTACT OWNER'S OR TENANT'S DESIGNATED PROJECT ADMINISTRATOR FOR QUESTIONS OR CLARIFICATIONS.
- C PERMANENT SIGNAGE OWNER FURNISHED AND INSTALLED. (REFER TO SCOPE OF WORK SCHEDULE). SIGNAGE GRAPHICS PROVIDED FOR REFERENCE ONLY (N.T.C.) AND CONTRACTOR'S COORDINATION WITH SPECIFIC PROJECT CONSTRUCTION CONDITIONS.
- D SITE SIGN FOUNDATIONS AND ROUGH-IN ELECTRICAL TO BE PROVIDED BY CONTRACTOR.
- E REQUIRED GOVERNMENTAL PERMITS FOR PERMANENT TYPE SIGNAGE TO BE PROVIDED BY SIGN COMPANY PER OWNER'S DIRECTION (N.T.C.).
- F "COMING SOON" TEMPORARY CONSTRUCTION SIGN TO BE PROVIDED BY GENERAL CONTRACTOR. SIGNAGE GRAPHICS TO BE OWNER FURNISHED AND GENERAL CONTRACTOR INSTALLED. LOCATE TEMPORARY CONSTRUCTION SIGN ON SITE AS TO BE ACCESSIBLE TO PUBLIC FROM RIGHT-OF-WAY.

**SITE SIGN SCHEDULE**

TEMPORARY CONSTRUCTION SIGN:

TYPE:	COMING SOON
DETAIL:	REFER TO 1/SG2.1

SITE SIGN:

TYPE:	POLE SIGN (5H X 15W X 30' H)
DETAIL:	REFER TO 2/SG1.2

**CASCO + R5**  
 12 Sunnen Drive, Suite 100,  
 St. Louis, MO 63143  
 314.821.1100

REVISIONS:

ADD #1	11/01/18

**O'Reilly AUTO PARTS**  
 CORPORATE OFFICES  
 233 SOUTH PATTERSON  
 SPRINGFIELD, MISSOURI 65802  
 417-862-2674 PHONE

PROJECT:  
**RE-MODEL O'REILLY AUTO PARTS STORE**  
**103 E. GORDON AVE.**  
**GORDONSVILLE, VA 22942**  
**SITE SIGNAGE DETAILS**

FOR REFERENCE ONLY

Professional of Record

DRAWN:	RLJ
CHECKED:	MGC
DATE:	10-17-2018
JOB NO.:	118168 (GDV)
SHEET:	

**SG1.2**

COPYRIGHT 2018 - DESIGNS, DRAWINGS AND SPECIFICATIONS ARE INSTRUMENTS OF SERVICE AND ARE THE PROPERTY OF THE DESIGN PROFESSIONAL. REPRODUCTION PROHIBITED WITHOUT THE EXPRESSED WRITTEN CONSENT OF THE DESIGN PROFESSIONAL.