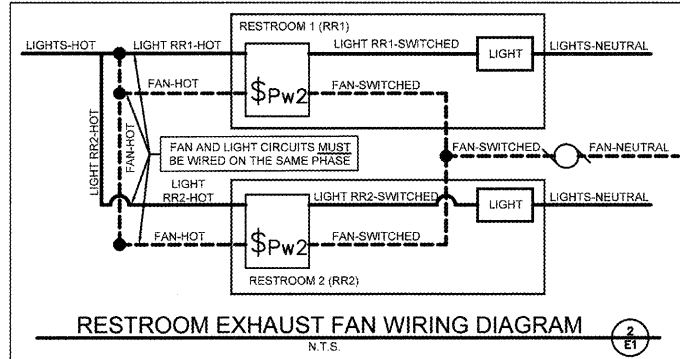


LIGHTING FIXTURE SCHEDULE									
TYPE	MANUFACTURER	CATALOG NUMBER	VOLT	FINISH	MOUNTING	LAMP	NOTES	WATTS	
LED DIMMABLE LIGHTS - ALL INDOOR LIGHT FIXTURES SHALL HAVE DISCONNECTING MEANS									
A	LSI	SDL8 LED 80L FL UNV DIM 40 UNV OR (NO SUBSTITUTIONS)	120	WHITE	SURFACE CEILING	LED	4-3/8" Wx 90" L GRID HANGER (848480) (CEILING GRID ONLY). 0-10 VOLT DIMMING DRIVER STANDARD. 7200 LUMENS (NOMINAL). SAME AS TYPE "A" WITH 16W EMERGENCY BATTERY PACK INSTALLED. 17.10 LUMENS (BATTERY).	62W	
AE	LSI	SDL8 LED 80L FL UNV DIM 40 UNV OR (NO SUBSTITUTIONS)	120	WHITE	SURFACE CEILING	LED	4-3/8" Wx 90" L GRID HANGER (848480) (CEILING GRID ONLY). 0-10 VOLT DIMMING DRIVER STANDARD. 7200 LUMENS (NOMINAL). SAME AS TYPE "A" WITH 16W EMERGENCY BATTERY PACK INSTALLED. 17.10 LUMENS (BATTERY).	62W	
B	LSI	SDL4 LED 40L FL UNV DIM 40 80CRI OR (NO SUBSTITUTIONS)	120	WHITE	SURFACE CEILING	LED	4-3/8" Wx 48" L GRID HANGER (848480) (CEILING GRID ONLY). 0-10 VOLT DIMMING DRIVER STANDARD. 3635 LUMENS (NOMINAL). SAME AS TYPE "B" WITH 16W EMERGENCY BATTERY PACK INSTALLED. 17.10 LUMENS (BATTERY).	30W	
BE	LSI	SDL4 LED 40L FL UNV DIM 40 80CRI EM 0 OR (NO SUBSTITUTIONS)	120	WHITE	SURFACE CEILING	LED	4-3/8" Wx 48" L GRID HANGER (848480) (CEILING GRID ONLY). 0-10 VOLT DIMMING DRIVER STANDARD. 3635 LUMENS (NOMINAL). SAME AS TYPE "B" WITH 16W EMERGENCY BATTERY PACK INSTALLED. 17.10 LUMENS (BATTERY).	30W	
C	LSI	SDL8 LED 80L FL UNV DIM 40 UNV OR (NO SUBSTITUTIONS)	120	WHITE	CHAIN HUNG	LED	4-3/8" Wx 90" L 3" CHAIN HANG KIT (1) PER FIXTURE. HANG TOP OF FIXTURES @ 12' A.F.F. WITH CHAIN HANGERS AND LENGTH OF CHAIN AS REQUIRED.	62W	
CE	LSI	SDL8 LED 80L FL UNV DIM 40 UNV OR (NO SUBSTITUTIONS)	120	WHITE	CHAIN HUNG	LED	4-3/8" Wx 90" L 3" CHAIN HANG KIT (1) PER FIXTURE. HANG TOP OF FIXTURES @ 12' A.F.F. WITH CHAIN HANGERS AND LENGTH OF CHAIN AS REQUIRED.	62W	
D	LSI	SDL4 LED 40L FL UNV DIM 40 80CRI OR (NO SUBSTITUTIONS)	120	WHITE	CHAIN HUNG	LED	4-3/8" Wx 48" L 3" CHAIN HANG KIT (1) PER FIXTURE. HANG TOP OF FIXTURES @ 12' A.F.F. WITH CHAIN HANGERS AND LENGTH OF CHAIN AS REQUIRED.	30W	
DE	LSI	SDL4 LED 40L FL UNV DIM 40 80CRI EM 0 OR (NO SUBSTITUTIONS)	120	WHITE	CHAIN HUNG	LED	4-3/8" Wx 48" L 3" CHAIN HANG KIT (1) PER FIXTURE. HANG TOP OF FIXTURES @ 12' A.F.F. WITH CHAIN HANGERS AND LENGTH OF CHAIN AS REQUIRED.	30W	
L	LSI	LAD0 41 LED 40 75 ULR SR SF-HAZ (NO SUBSTITUTIONS)	120	CLEAR	RECESSED	LED	5-1/8" Wx 6-3/4" EXTERIOR RECESSED CAN.	45 W	
EXTERIOR LIGHTS									
V61	LSI	XMM FT LED 08L 50 ULR BRZ (NO SUBSTITUTIONS)	120	DARK BRONZE	SURFACE WALL	LED	12-3/4" Wx 19-1/2" H x 5-3/8" FT FULL CUT OFF FIXTURE. BUG RATING B1-UB-G2. SEE ARCHITECTURAL ELEVATIONS FOR DIMENSIONED LOCATIONS.	58 W	
PC	INTERMATIC	PHOTOCELL - #K4251	120	DARK BRONZE	SURFACE WALL	LED	MOUNT ABOVE WALL SCOTCH LOCATED NEAR FREIGHT DOOR.	NA	
COMBINATION EXIT/EMERGENCY LIGHTS AND EMERGENCY LIGHTS									
XR	COOPER	APCH7-R (RED LETTERS)	120	WHITE	SURFACE CEILING OR WALL	(2) LED	EXIT LIGHT UNIVERSAL (WALL/CLG.) SINGLE OR DOUBLE FACE. BACK UP BATTERIES SHALL MAINTAIN 100% ILLUMINATION FOR A MINIMUM OF 90 MINUTES TO COMPLY WITH NEC ARTICLE 700.12(A).	2.34 W	
EM	COOPER	APX7-R	120	WHITE	SURFACE CEILING OR WALL	LED	EXIT LIGHT UNIVERSAL (WALL/CLG.) SINGLE OR DOUBLE FACE. BACK UP BATTERIES SHALL MAINTAIN 100% ILLUMINATION FOR A MINIMUM OF 90 MINUTES TO COMPLY WITH NEC ARTICLE 700.12(A).	86W	
RH2	COOPER	APWR2	3.6	VDC	SURFACE WALL	LED	EXTERIOR EMERGENCY LIGHT UNIVERSAL (WALL/CLG.) POWERED BY TYPE XR.	NA	
NOTES:									
1. ALL ITEMS LISTED ON THE "LIGHT FIXTURE SCHEDULE" WILL BE SUPPLIED BY THE OWNER (O'REILLY). ITEMS SHALL BE DIRECT ORDERED AND/OR RELEASED FROM THE LISTED ELECTRICAL EQUIPMENT DISTRIBUTION.									
2. NATIONAL ACCOUNT VENDOR: GRAYBAR ELECTRIC COMPANY, INC. 11885 LACKLAND ROAD ST. LOUIS, MO 63146 EMAIL: oreilly@graybar.com TOLL FREE: (314) 573-2080									

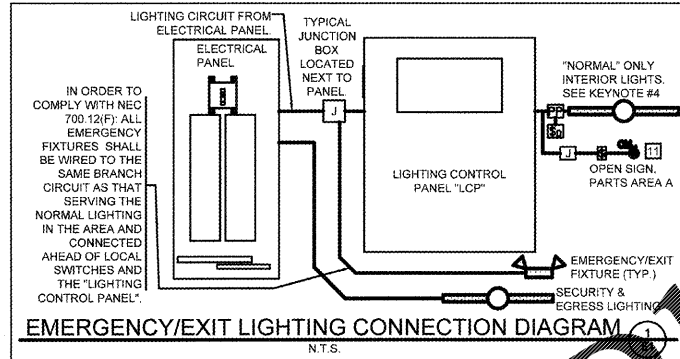
- KEY NOTES**
- ILLUMINATED SIGN MOUNT J-BOX WITH SWITCH INSIDE BUILDING AND FLEX CONDUIT THRU WALL FOR POWER SUPPLY TO ILLUMINATED SIGN. EXACT LOCATIONS OF PENETRATIONS SHALL BE COORDINATED WITH SIGN COMPANY. PENETRATIONS SHALL BE BEHIND SIGNAGE. WATERPROOF WITH ELASTOMERIC POLYURETHANE (NO EXCEPTIONS) EQUAL TO "VULKEN" 118. WIRE TO SIGN WITH 16' OF WIRING "WHIP" (SHALL BE FLEX OR TYPE MC CABLE). COIL AND "CABLE TIE" WIRING WHIP TO WALL ABOVE CEILING. TYPICAL.
 - SALES LIGHTING COORDINATE FIXTURE SPACING AND PLACEMENT WITH ON SITE O'REILLY REPRESENTATIVE. TYPICAL.
 - TRANSFER SWITCH SEE "E" PANEL TRANSFER SWITCH SCHEDULE ON SHEET E3 FOR POSITION OF CIRCUIT WIRES THROUGH TRANSFER SWITCH.
 - RESTROOM EXHAUST WIRE EXHAUST FAN EF-1 TO POWER ON WHEN EITHER BATHROOM LIGHT IS ON USING DOUBLE POLE WALL SWITCH. SEE DETAIL 2/E1.
 - OFFICE EXHAUST WIRE EXHAUST FAN TO SPEED SWITCH REFER TO FAN SCHEDULE ON SHEET M2.
 - FIXTURE MOUNTING SUSPEND FIXTURE AT 8'-0" A.F.F. THESE FIXTURES ONLY.
 - SWITCH BANK DIMMER LIGHTING CONTROL SWITCHES LOCATED ON OUTSIDE WALL OF OFFICE. SEE PLAN FOR QUANTITY. SEE DETAILS ON SHEET E4 FOR MORE INFORMATION.
 - FIXTURE MOUNTING SUSPEND THESE (2) LIGHT FIXTURES AT 8'-0" AFF ABOVE INSTALLER.
 - NIGHT LIGHT CIRCUIT SHALL BE ROUTED VIA GENERATOR TRANSFER SWITCH. SEE SCHEDULE ON E3.
 - OFFICE/RESTROOM ROUTE THE OFFICE AND RESTROOMS LIGHTING CIRCUIT THRU THE LOCAL OCCUPANCY SENSORS AND DIRECTLY TO THE CIRCUIT BREAKER. THESE FIXTURES SHALL NOT BE SWITCHED BY THE LIGHTING CONTROL PANEL. SEE "E" PANEL TRANSFER SWITCH SCHEDULE FOR POSITION OF CIRCUIT WIRES THROUGH TRANSFER SWITCH.
 - OPEN SIGN CONNECT TO LIGHTING CIRCUIT. SEE SHEET E2 KEYED NOTE 5.
 - LCP CIRCUIT VIA LIGHTING CONTROL PANEL. SEE SHEET EM SHEETS.
 - DAYLIGHT CIRCUIT CONNECT TO PANEL. SEE DETAILS 2/E4 AND 3/E4.
 - DAYLIGHT CONTROLLER PROVIDE PROVOLT ROOM CONTROLLER. SEE DETAIL 4/E4. REFER TO "LEVITON DAYLIGHT CONTROL SCHEDULE" FOR MORE INFORMATION.
 - DAYLIGHT CONTROL SEE DETAIL 4/E4.

CASCO + R5
12 Sunner Drive, Suite 100,
St. Louis, MO 63143
Tel: 314.821.1100

REVISIONS:



- GENERAL NOTES**
- EMERGENCY/EXIT LIGHTING PLACE EXIT SIGNS HIGH ENOUGH TO BE SEEN ABOVE ALL MERCHANDISE WITH THE FOLLOWING LIMITATION: THE MAXIMUM HEIGHT FOR AN EXIT LIGHT ASSOCIATED WITH A SPECIFIC OPENING (I.E. MOUNTED OVER A DOOR OR OPENING) SHALL BE NO GREATER THAN THE CODE ALLOWED 6'-8" ABOVE THE TOP EDGE OF THE DOOR OR OPENING.
 - EMERGENCY/EXIT CIRCUITING ROUTE EMERGENCY/EXIT FIXTURE PORTION OF CIRCUIT DIRECTLY TO CIRCUIT BREAKER. FIXTURE SHALL NOT BE SWITCHED BY LIGHTING CONTROL SYSTEM. SEE DETAIL 3/E4. TYPICAL. SEE N.E.C. 700.12(F).
 - INTERIOR LIGHTING ZONES ALL INTERIOR LIGHTING WITHIN PARTS AREA "A" SHALL BE CONSIDERED "SALES" ZONE (ON ONLY WHEN STORE IS OPEN FOR BUSINESS); ALL INTERIOR LIGHTING WITH PARTS AREA "B", PARTS AREA "C", RESTROOMS, OFFICE, AND BREAK AREA SHALL BE CONSIDERED "WORK" ZONES (ON WHENEVER THERE IS MOTION OR THE STORE IS OPEN). LIGHTING SHALL BE CIRCUITED TO PANEL PLP UNLESS NOTED OTHERWISE.
 - CIRCUIT VIA CONTACTORS PARTS AREA AND EXTERIOR LIGHTING SHALL BE CIRCUITED VIA CONTACTORS AS NOTED ON PANEL SCHEDULES AND "EM" SHEETS.
 - CONDUIT REQUIREMENTS, ALL WIRING SHALL BE IN CONDUIT, EXCEPT THAT MC-CABLE MAY BE SUBSTITUTED ONLY AS FOLLOWS:
 - MC-CABLE (MAXIMUM CABLE LENGTH OF 10'-0") MAY BE INSTALLED ONLY FOR BRANCH CIRCUIT WIRING TO LIGHT FIXTURES.
 - MC-CABLE (MAXIMUM CABLE LENGTHS SHOWN ON DETAIL 2/E2) MAY BE INSTALLED ONLY ABOVE SLAB AND ONLY AT LOCATIONS INDICATED ON SHEET E2. SEE SHEET E4 FOR MORE REQUIREMENTS.
- COMPLIANCE WITH ENERGY CODE IS ACHIEVED BY:**
- ONCE THE EMS HAS BEEN PROGRAMMED, THE INTERIOR AND EXTERIOR LIGHTS WILL TURN ON AND OFF USING THE FOLLOWING LOGIC: SEE EMS NOTES.
 - INTERIOR WORK LIGHTS WILL TURN ON WITH FIRST MOTION IN THE STORE AND WILL TURN OFF 15 MINUTES AFTER LAST MOTION ONCE THE STORE IS CLOSED.
 - INTERIOR SALES LIGHTS WILL TURN ON AT STORE OPENING AND TURN OFF 15 MINUTES AFTER STORE CLOSING.
 - EXTERIOR SIGN LIGHTS WILL TURN ON WHEN IT IS DARK OUTSIDE ANYTIME DURING STORE HOURS, AND WILL TURN OFF AT CLOSING.
 - EXTERIOR SITE LIGHTS WILL TURN ON WHEN IT IS DARK ENOUGH OUTSIDE AND IT IS WITHIN STORE HOURS OR THERE IS MOTION IN THE STORE. THEY WILL TURN OFF 30 MINUTES AFTER LAST MOTION ONCE THE STORE IS CLOSED.
 - FOR NEW CONSTRUCTION ONLY, THERE IS A TEMPORARY PROGRAM THAT WILL TURN ON SIGN AND SITE LIGHTS ON UNTIL MIDNIGHT RATHER THAN THE TIMES INDICATED ABOVE. O'REILLY WILL DISABLE THIS PROGRAM ONE YEAR AFTER STORE OPENING.
 - RESTROOMS AND OFFICIAL LIGHTING IN THESE AREAS ARE CONTROLLED BY CONTACTOR-SENSING DEVICES.



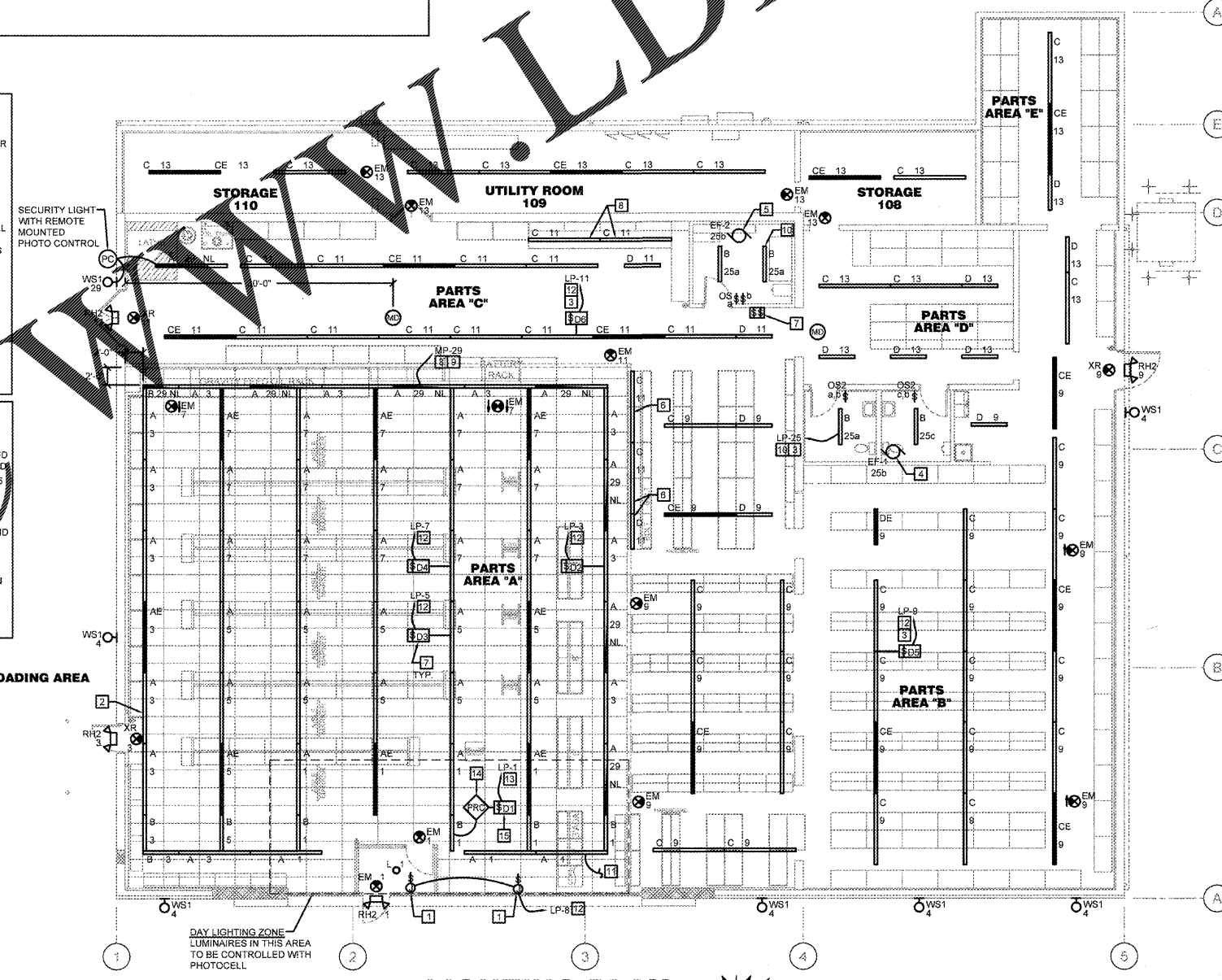
LEVITON DAYLIGHT CONTROL SCHEDULE

ALL ITEMS LISTED ON THE "LEVITON CONTROL SCHEDULE" WILL BE SUPPLIED BY THE OWNER (O'REILLY). ITEMS SHALL BE DIRECT ORDERED AND/OR RELEASED FROM THE LISTED ELECTRICAL EQUIPMENT DISTRIBUTOR.

MARK	ITEM	MODEL	REMARKS	FIXTURE QUANTITY
□	PROVOLT DIMMING CONTROLLER	OSC20-MDW	INTEGRATED ROOM PHOTOCELL FOR DAYLIGHT ZONE DAYLIGHT HARVESTING SHALL USE CLOSE LOOP OPERATION. SHALL WIRE AND PROGRAM CONTROLLER PER MANUFACTURER'S INSTALLATION INSTRUCTIONS. CONTROLLER INCLUDES AN OCCUPANCY SENSOR TO TURN THE DAYLIGHT ZONE LIGHTS OFF DURING UNOCCUPIED HOURS.	1
□	PROVOLT 4-BUTTON KEYPAD	PLVSW-4LW	24V INPUT. MOUNT TO CONTROLLER, WALL MOUNT WITH OTHER DIMMER SWITCHES AS SHOWN IN DETAIL 3/E4.	1

GRAYBAR ELECTRIC CO. INC. 11885 LACKLAND ROAD ST. LOUIS, MO 63146

GRAYBAR O'REILLY TEAM EMAIL: oreilly@graybar.com TOLL FREE: (314) 573-2080



O'Reilly AUTO PARTS

CORPORATE OFFICES
233 SOUTH PATTERSON
SPRINGFIELD, MISSOURI 65802
417-862-2574 PHONE

PROJECT:
RE-MODEL O'REILLY AUTO PARTS STORE
103 E. GORDON AVE.
GORDONSVILLE, VA 22942

LIGHTING PLAN

JOSEPH A. CARTER
Lic. No. 45515

PROFESSIONAL ENGINEER
Joseph A. Carter
License #0402045515
Exp. Date: 11/30/20
Professional of Record

DRAWN: BJB
CHECKED: JAC
DATE: 10-17-2018
JOB NO.: 118168 (GDV)
SHEET:

E1

COPYRIGHT 2018 - DESIGNS, DRAWINGS AND SPECIFICATIONS ARE INSTRUMENTS OF SERVICE AND ARE THE PROPERTY OF THE DESIGN PROFESSIONAL. REPRODUCTION PROHIBITED WITHOUT THE EXPRESSED WRITTEN CONSENT OF THE DESIGN PROFESSIONAL.