

NATIONAL ACCOUNT - ROOFTOP UNIT SCHEDULE - 7.5 TON - GAS (3-PHASE) - BY O'REILLY

RTU - RESPONSIBILITIES													CALL THE CARRIER CUSTOMER SERVICE REP. BELOW FOR CONFIRMATION OF ORDERS. DO NOT CALL CARRIER FOR QUOTES!																			
1) ALL CARRIER HVAC UNITS WITH ACCESSORIES ARE OWNER SUPPLIED BY O'REILLY AUTOMOTIVE. 2) MECHANICAL CONTRACTOR IS RESPONSIBLE FOR THE INSTALLATION OF ALL CARRIER HVAC UNITS. 3) MECHANICAL CONTRACTOR IS RESPONSIBLE FOR THE FIRST YEAR LABOR WARRANTY ON ALL OWNER SUPPLIED EQUIPMENT. 4) MECHANICAL CONTRACTORS WORKING ON O'REILLY PROJECTS MUST CALL "CARRIER CORPORATION'S NATIONAL ACCOUNTS" DEPARTMENT FOR CONFIRMATION OF ORDERS ONLY! 5) MECHANICAL CONTRACTOR IS RESPONSIBLE FOR SCHEDULING, SHIPPING & RECEIVING OF ALL CARRIER UNITS FROM CARRIER NATIONAL ACCOUNTS. CONTACT CUSTOMER SERVICE REP LISTED TO THE RIGHT.													CARRIER CORPORATION, STRATEGIC ACCOUNTS CARRIER PARKWAY SYRACUSE, NY 13221										CUSTOMER SERVICE REPS: MARIA CAMPANELLO 315-432-3946 Maria.campanello@carrier.utc.com					ACCOUNT MANAGER: PAUL WITZ CELL 315-317-2481 paul.witz@carrier.utc.com				
MARK	DESCRIPTION	MFR	CATALOG NUMBER	HTG MBH STAGE 1 IN/OUT	HTG MBH STAGE 2 IN/OUT	TTL HTG IN/OUT	THERM EFF.	STAGE 1 TOT./SENS	CLG MBH STAGE 2 TOT./SENS	TTL COOL TOT./SENS	IEER	EER	CFM	O.A.	ESP	HP	MCA	MOC	WT. (LBS.)	ACCESSORIES	REMARKS	REF. DETAIL										
RTU-1 RTU-2 RTU-3	WEATHERMASTER PACKAGED ROOFTOP UNIT 7.5-TON	CARRIER	48HCRD08K2M5-0F1D0	120/98	60/50	180/148	82%	46.5/36	46.5/36	93/72	13.00	12.00	3000	208V/3Ø	0.6	1.50	41	50"	1172	SEE BELOW	△△△	1/M2 2/M2										
RTU-4	WEATHERMASTER PACKAGED ROOFTOP UNIT 5-TON	CARRIER	48HTA08K2M5-0F1D0	120/96	30/24	150/120	80%	60.4/48	---	60.4/48	15.20	12.45	2000	208V/3Ø	0.6	1.50	30	45"	750	SEE BELOW	△△△	1/M2 2/M2										
ACCESSORIES - FACTORY SUPPLIED AND INSTALLED													ACCESSORIES - FACTORY SUPPLIED & FIELD INSTALLED																			
HE - STAINLESS STEEL GAS HEAT EXCHANGER, (MEDIUM HEAT) SD - RETURN AIR SMOKE DETECTOR COF - CONDENSATE OVERFLOW SWITCH MB - MEDIUM STATIC BLOWER, (SINGLE SPEED). HG - LOUVERED HALL GUARDS. UPO - UN-POWERED CONVENIENCE OUTLET (FIELD POWERED), 15AMP, 120V, GROUND FAULT CIRCUIT INTERRUPTER (GFCI) TYPE. TBEG- THRU-THE-BOTTOM-ELECTRIC & GAS SERVICES. (SEE ROOF TOP UNIT DETAILS) SS - HI & LOW REFRIGERANT SAFETY SWITCHES. AF - 2" RETURN AIR FILTERS EC - ENTHALPY ECONOMIZER IV, WBAROMETRIC RELIEF.													CO2 - CO2 SENSOR, WALL MOUNT, #32ZCSPT02L00-01 CO2SPACE TEMPERATURE SENSOR WITH LCD DISPLAY & NO OVERRIDE. RTRS- REMOTE RESET/RESET STATION, CARRIER #TRM4(CO2TEST001400) FOR REMOTE TESTING/RESETTING OF CO2 SENSORS. SEE HVAC PLAN FOR MOUNTING LOCATIONS. HSA - ALARM/STROBE CARRIER #5536-G5(CO2HNSB001400), AUDIBLE/VISUAL SIGNAL DEVICE FOR SIGNALING ALARM ON CO2 SMOKE DETECTOR. SEE HVAC PLAN FOR MOUNTING LOCATIONS.																			
ACCESSORIES - O'REILLY SUPPLIED & FIELD INSTALLED													ACCESSORIES - FIELD SUPPLIED & FIELD INSTALLED																			
TS1 - GRIDPOINT THERMOSTAT, (NO SUBSTITUTIONS). REFER TO EM SHEETS. DS - NON-FUSED DISCONNECT SWITCH, (GRAYBAR/O'REILLY) SUPPLIED W/ ELECTRICAL OF MATERIALS.													RC1 - ROOF CURB, (4") OVER-BUILDING, ROOF CURB IS BY BUILDING MANUFACTURER. ON EXISTING BUILDING, ROOF CURB IS BY GENERAL CONTRACTOR. WEIGHT OF ROOF CURB IS NOT INCLUDED IN THE WEIGHT ABOVE.																			
REMARKS																																
△ COOLING CAPACITY BASED ON 80°F EDB AND 67°F EWB. △ CAPACITY BASED ON 95°F AMBIENT TEMPERATURE. △ NOTE: HVAC COMPLETION, AT CONSTRUCTION COMPLETION: 1. CONTRACTOR SHALL REPLACE ALL RETURN AIR FILTERS IN ALL HVAC UNITS W/ CLEAN RETURN AIR FILTERS. 2. CONTRACTOR SHALL SUPPLY AN ADDITIONAL CLEAN SET OF FILTERS TO THE OWNER, AT J2 COMPLETION. 3. CONTRACTOR SHALL SHOW THE STATE MANAGER THE LOCATION OF & INSTRUCT THEM HOW TO CHANGE ALL AIR FILTERS.											△ FACTORY EQUIPPED WITH STANDARD LOW AMBIENT COOLING TO 35°F ODB. △ OUTSIDE AIR, SEE PLAN FOR UNIT(S) REQUIRING OUTSIDE AIR. △ REFRIGERANT = R410A (PURCON) • MAXIMUM CIRCUIT BREAKER OR TIME-DELAY FUSE.																					

CASCO + R5
12 Sumner Drive, Suite 100,
St. Louis, MO 63143
2021.1109

REVISIONS:

RE-Model O'Reilly Auto Parts Store
103 E. Gordon Ave.
Gordonsville, VA 22942

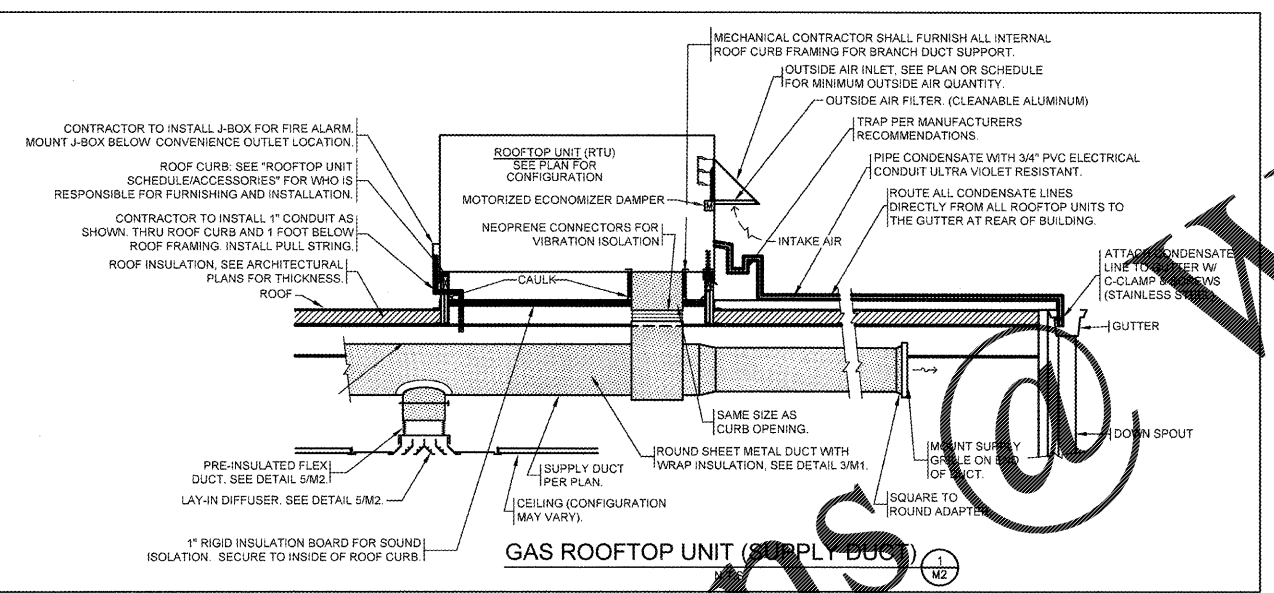
O'Reilly AUTO PARTS
CORPORATE OFFICES
233 SOUTH PATTERSON
SPRINGFIELD, MISSOURI 65802
417-682-2674 PHONE

PROJECT:
RE-MODEL O'REILLY AUTO PARTS STORE
103 E. GORDON AVE.
GORDONSVILLE, VA 22942
HVAC SCHEDULES

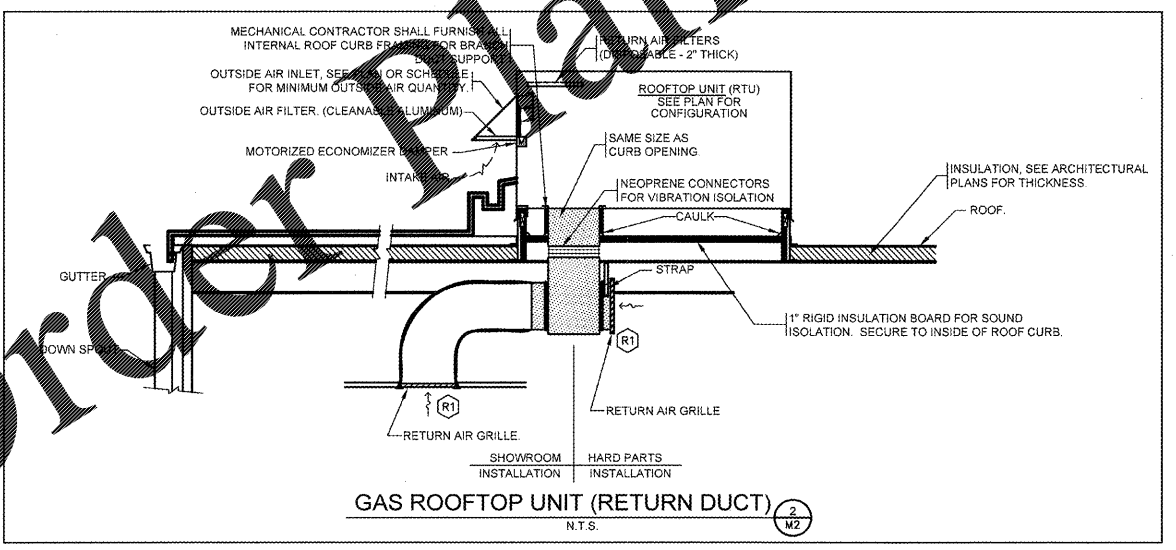
PROFESSIONAL ENGINEER
MICHAEL J. CAMPANELLO
License # 058516
Exp. Date: 11/03/19
OCT 17 2019
Professional of Record

DRAWN: LCA
CHECKED: MCG
DATE: 10-17-2018
JOB NO.: 118168 (GDV)
SHEET:

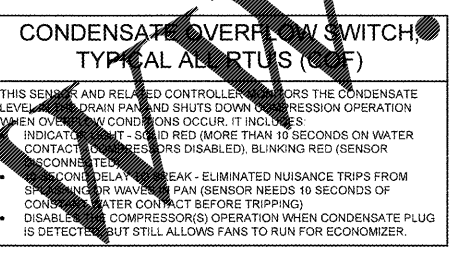
M2



GAS ROOFTOP UNIT (SUPPLY DUCT) 1/M2



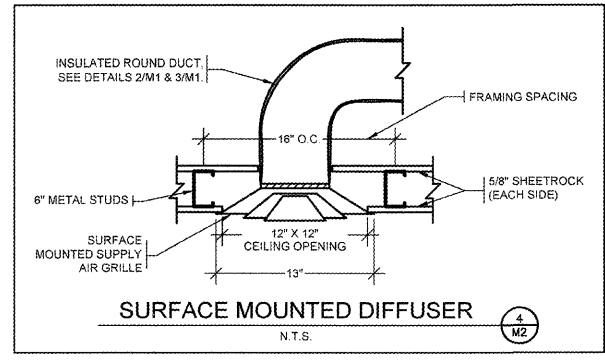
GAS ROOFTOP UNIT (RETURN DUCT) 2/M2



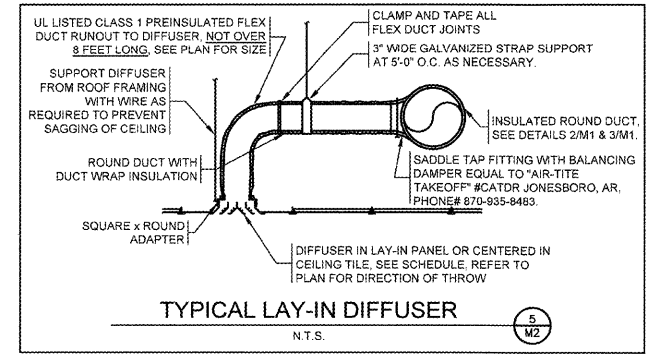
CONDENSATE OVERFLOW SWITCH, TYPICAL ALERT STATUS (COF)

FAN SCHEDULE												
MARK	DESCRIPTION	MFR	CATALOG NUMBER	CFM (NOM)	STATIC PRESS.	MOTOR H.P.	ELECTRICAL			ACCESSORIES	REMARKS	REF. DETAIL
							V/PH	MCA	MOC			
EF-1	INLINE EXHAUST FAN	COOK	GN-642	500	0.5	195W	120/1	-	-	BD,DS,WC	△△△	-
EF-2	INLINE FAN	COOK	GN-642	500	0.5	195W	120/1	-	-	BD,DS,SS	△	-
ACCESSORIES												
BD - GRAVITY BACK DRAFT DAMPER DS - DISCONNECT SWITCH WC - WALL CAP, "COOK" #WCA-6, ALUMINUM SS - FAN SPEED SWITCH "COOK" #FSC (OFFICE ONLY)												
APPROVED ALTERNATE MANUFACTURER'S												
FANS: *GREENHECK *CARNES												
REMARKS												
△ ADJUST FOR CFM REQUIRED. △ EXHAUST FAN SHALL BE WIRED BY THE ELECTRICAL CONTRACTOR TO OPERATE WITH EITHER RESTROOMS LIGHT SWITCH. △ FAN IN OFFICE TO BE CONTROLLED BY FAN SPEED SWITCH.												

GRILLE AND DIFFUSER SCHEDULE												
MARK	DESCRIPTION	MFR	CATALOG NUMBER	SIZE (in.)	FINISH	MOUNTING	BRANCH DUCT SIZE	ACCESSORIES	REMARKS	REF. DETAIL		
(G)	SUPPLY GRILLE	ANEMOSTAT	S2H0	14x14	WHITE	DUCT	SEE PLAN	OB	△△△	-		
(S)	SUPPLY DIFFUSER	ANEMOSTAT	E-1-D	12x12	WHITE	SURFACE	SEE PLAN	DT	△△△	4/M2		
(R)	RETURN GRILLE	ANEMOSTAT	GC5	24x24	WHITE	DUCT/LAY-IN	SEE PLAN	-	NON-FILTERED GRILLE	-		
(R)	RETURN GRILLE	ANEMOSTAT	GC5	12x12	WHITE	SURFACE	SEE PLAN	-	NON-FILTERED GRILLE	4/M2		
(X)	EXHAUST GRILLE	ANEMOSTAT	S3HS	12x12	WHITE	SURFACE	SEE PLAN	OB	-	-		
ACCESSORIES												
OB - OPPOSED BLADE DAMPER DT - DIRECTIONAL TABS.												
APPROVED ALTERNATE MANUFACTURER'S												
GRILLES, DIFFUSERS & DAMPERS: *TUTTLE & BAILEY *NAILOR *ARROW *CARNES *PRICE INDUSTRIES *TITUS *KRUEGER												
REMARKS												
△ 1-WAY △ 4-WAY △ DIRECTIONAL TABS, ADJUST TO PROVIDE THROW AS INDICATED ON PLANS.												



SURFACE MOUNTED DIFFUSER 4/M2



TYPICAL LAY-IN DIFFUSER 5/M2

Order Parts.com

COPYRIGHT 2018 - DESIGNS, DRAWINGS AND SPECIFICATIONS ARE INSTRUMENTS OF SERVICE AND ARE THE PROPERTY OF THE DESIGN PROFESSIONAL. REPRODUCTION PROHIBITED WITHOUT THE EXPRESSED WRITTEN CONSENT OF THE DESIGN PROFESSIONAL.