

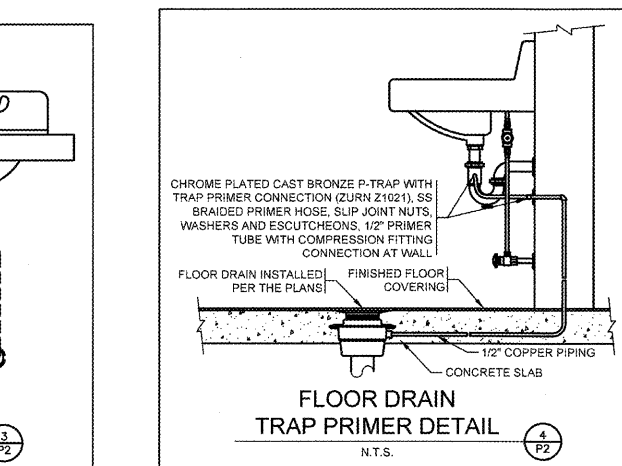
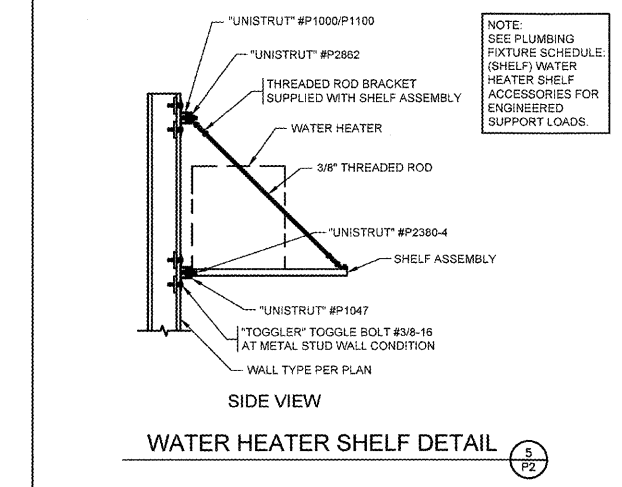
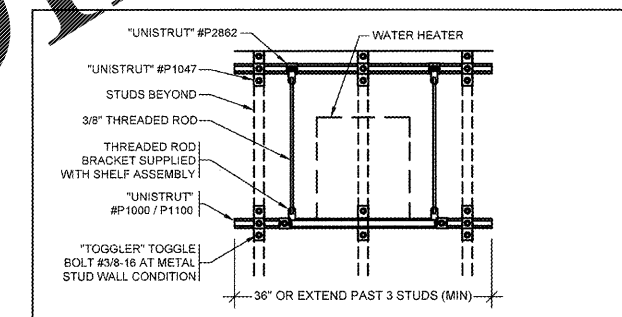
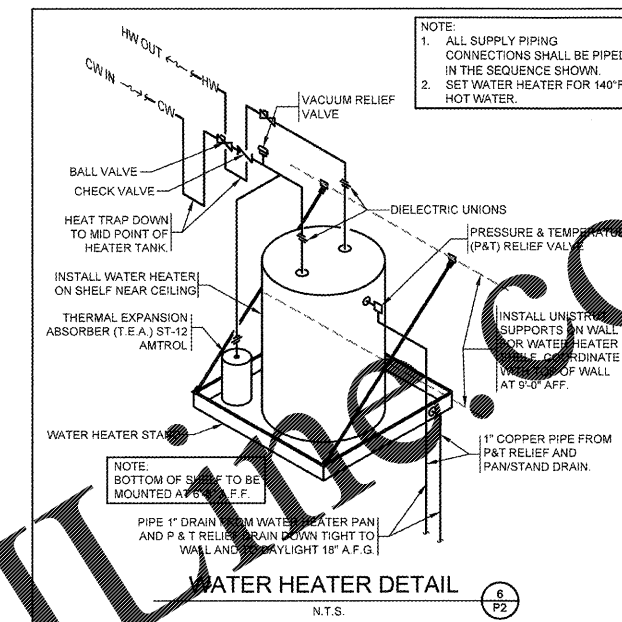
PLUMBING FIXTURE SCHEDULE / ALL FIXTURES & FITTINGS MUST BE "LEAD FREE"										
MARK	DESCRIPTION	MANUFACTURER	CATALOG NUMBER	ACCESSORIES	PIPING REQUIREMENTS			REMARKS	APPROVED MANUFACTURER'S	CODE APPROVALS
					WASTE	VENT	SUPPLY			
H.W.C.	HANDICAP ACCESSIBLE WATER CLOSET (TANK TYPE)	AMERICAN STANDARD	CADET RIGHT HEIGHT BOWL RIM @ 16-1/2" H PRESSURE-ASSISTED TOILET 2467.016	CHURCH 9500CT WHITE OPEN FRONT SEAT COMPLETE W/BOLT CAPS	4"	2"	1/2"	LOW-CONSUMPTION 1.6 GPF MAX. MEETS ADA GUIDELINES	ZURN	ANSI A117.1, ADA COMPLIANT
LAV.	HANDICAP ACCESSIBLE LAVATORY (WALL MOUNTED)	AMERICAN STANDARD	LUCERNE 0355 012, 4" CENTERS	ZURN #Z8737 FLAT GRID SINK STRAINER, DELTA #601-DST CLASSIC CENTERSET FAUCET, JAY R. SMITH #0700-M31 FLOOR MOUNTED LAVATORY SUPPORTS IN WALL	2"	2"	1/2"	SEE NOTE 2 1.5 GPM MAX.	ZURN	ANSI A117.1, ASME A112.18.1, ASME A112.18.2, ADA COMPLIANT
M.V.	THERMOSTATIC MIXING VALVE	WATTS	#LFMMV-M1-US-1/2"	THERMOSTATIC MIXING VALVE	-	-	1/2"	SEE DETAIL 3/P2 & NOTE #4, 110°F MAX. WATER TEMP.	WALKINS, POWERS	ASSE 1070, IAPMO, ADA COMPLIANT, CUPC, NSF/ANSI 61
H.D.F.	BARRIER-FREE TWO STATION HI-LO DRINKING FOUNTAIN	ELKAY	EZSTL8LC	ACCESSORY APRON #LKAPREZL	2"	2"	1/2"	REFER TO ARCHITECTURAL SHEETS FOR MOUNTING HEIGHTS	HALSEY TAYLOR	ADA COMPLIANT
F.D.	FLOOR DRAIN	ZURN	ZN415-B-P	1/2" TRAP PRIMER CONNECTION	2"	2"	-	COMBINATION WASTE VENT	WADE & JAY R. SMITH	ASSE 1019-B
WCO	WALL CLEANOUT	ZURN	Z1441 STAINLESS STEEL	-	SEE PLAN	-	-	-	-	-
W.H.A.	WATER HAMMER ARRESTER	SIOUX CHIEF	652-A	-	-	-	-	-	WILLIAMS	-
T.P.	TRAP PRIMER	ZURN	Z1021	WATER SAVER TRAP PRIMER W/ CLEANOUT	-	-	1/2"	REFER TO DETAIL 4/P2	-	-
T.P.1	TRAP PRIMER	MIFAB	M2-500-NPB	MI-GAP AIR GAP FITTING	-	-	1/2"	PRESSURE DROP ACTIVATED TRAP PRIMER	-	-
M.B.	MOP BASIN	FIAT	FIAT MSB-2424	FIAT #832-AA HOSE & BRACKET, FIAT #889-CO-24" MOP HANGER, ZURN #Z842M-WHK-5H SERVICE FAUCET	3"	2"	3/4"	W/VACUUM BREAKER ON FAUCET. ALSO ADD HOSE CONNECTION VACUUM BREAKER (WATTS #8) ON FAUCET'S SPOUT	STERN-WILLIAMS	-
E.W.	EYE WASH	SPEAKMAN	SEF-9200 WITH INTEGRAL VACUUM BREAKER AND CHECK VALVE	SPEAKMAN THERMOSTATIC MIXING VALVE (SEF-TW), SEF-9200-4LR	-	-	1/2"	SET MIXING VALVE TO DELIVER 80°F. NOTE: TEPID WATER RANGE IS 60-100°F.	BRADLEY-HAWS	ASME A112.18.1-2000, CSA B125-98, ANSI Z358-1, ASSE 1011
SRBP	SPILL-RESISTANT BACKFLOW PREVENTER	WATTS	LF008PCQT-1/2"	HEALTH HAZARD, ANTI-SIPHON, SPILL-RESISTANT BACKFLOW PREVENTER	-	-	1/2"	MAY BE INSTALLED VERTICALLY, REFER TO DETAIL 1/P2	-	ASSE 1056
URN.	URINAL (WALL MOUNTED)	ZURN	Z5755-U OMNI-FLO	SLOAN ROYAL #186-1 FLUSH VALVE, ZURN #Z1222 FLOOR MOUNTED URINAL SUPPORT	2"	2"	3/4"	1.0 GPF. BACK OF URINAL TO BE MOUNTED FLUSH WITH THE FACE OF FINISHED WALL. SEE DETAIL 9/P2	AMERICAN STANDARD	ASME A1212.19.2, ANSI A117.1, ADA COMPLIANT
R.D.	PRIMARY ROOF DRAIN	JAY R. SMITH	1015 (-C-R)	ROOF DRAIN WITH DUCO CAST IRON BODY WITH ADJUSTABLE EXTENSION SLEEVE, POLYPROPYLENE LOCKING DOME, INTERNAL GRAVEL STOP, BOTTOM OUTLET, DECK CLAMP ASSEMBLY AND DRAIN RECEIVER	-	-	-	REFER TO P1 FOR OUTLET SIZE AND ARCHITECTURAL SHEETS FOR ROOF DRAIN DETAIL	-	-
O.D.	OVERFLOW ROOF DRAIN	JAY R. SMITH	1050 (-C-R)	ADJ. EXTENSION SLEEVE, POLYPROPYLENE LOCKING DOME, GRAVEL STOP, BOTTOM OUTLET, DECK CLAMP ASSEMBLY AND DRAIN RECEIVER, 2" EXTERNAL WATER DAM	-	-	-	REFER TO P1 FOR OUTLET SIZE AND ARCHITECTURAL SHEETS FOR ROOF DRAIN DETAIL	-	-

NOTES:
 1. COORDINATE ROUGH-IN OF ALL PLUMBING FIXTURES W/ARCHITECTURAL DRAWINGS.
 2. SINKS & LAVATORIES FOR HANDICAPPED ACCESS SHALL BE INSTALLED W/OFFSET TAILPIECES. ALL SINK & LAVATORY DRAIN & WATER LINES SHALL BE INSULATED W/PROTECTIVE DEVICES EQUAL TO "MCGUIRE" #PW 2150 WC, WHITE MOLDED CLOSED CELL VINYL, OR "TRUEBRO" #103W, WHITE MOLDED VINYL.
 3. FOR HANDICAPPED-ACCESSIBLE WATER CLOSET, FURNISH & INSTALL W/THE FLUSH HANDLE ON THE WIDE SIDE OF THE RESTROOM.
 4. ALL LAVATORIES SHALL BE INSTALLED WITH A THERMOSTATIC MIXING VALVE.

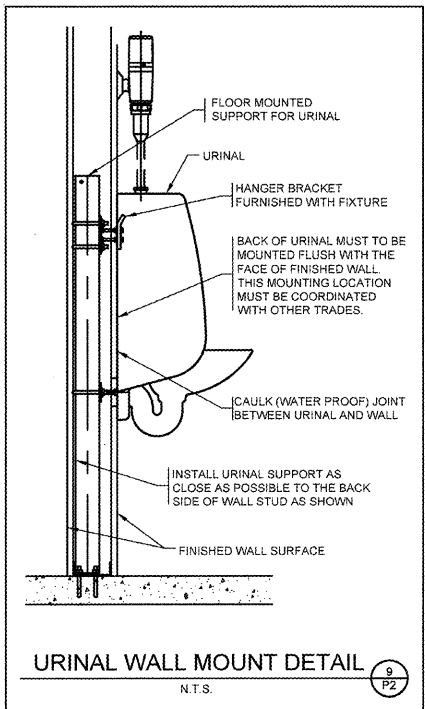
OWNER SUPPLIED, CONTRACTOR INSTALLED

MARK	DESCRIPTION	MANUFACTURER	CATALOG NUMBER	REMARKS	APPROVED MANUFACTURER'S	CODE APPROVALS
WH.	WATER HEATER (ELECTRIC)	A.O. SMITH	EJCS-20	(19 GALLONS) 120V 1Ø, 1.65 KW ELEMENT WITH T & P RELIEF VALVE	GRAYBAR ELECTRIC CO. INC. 11885 LACKLAND ROAD ST. LOUIS, MO 63146	CSA, ASME RATED, NAECA
SHELF	WATER HEATER SHELF	HOLDRITE	#40-SWHP-WM	SUPPORTS WATER HEATERS UP TO 20 GALLON OR 300 LBS	GRAYBAR O'REILLY TEAM EMAIL: oreilly@graybar.com TOLL FREE: (314) 573-2080	-
T.E.A.	THERMAL EXPANSION ABSORBER	AMTROL	ST-12	-	-	-

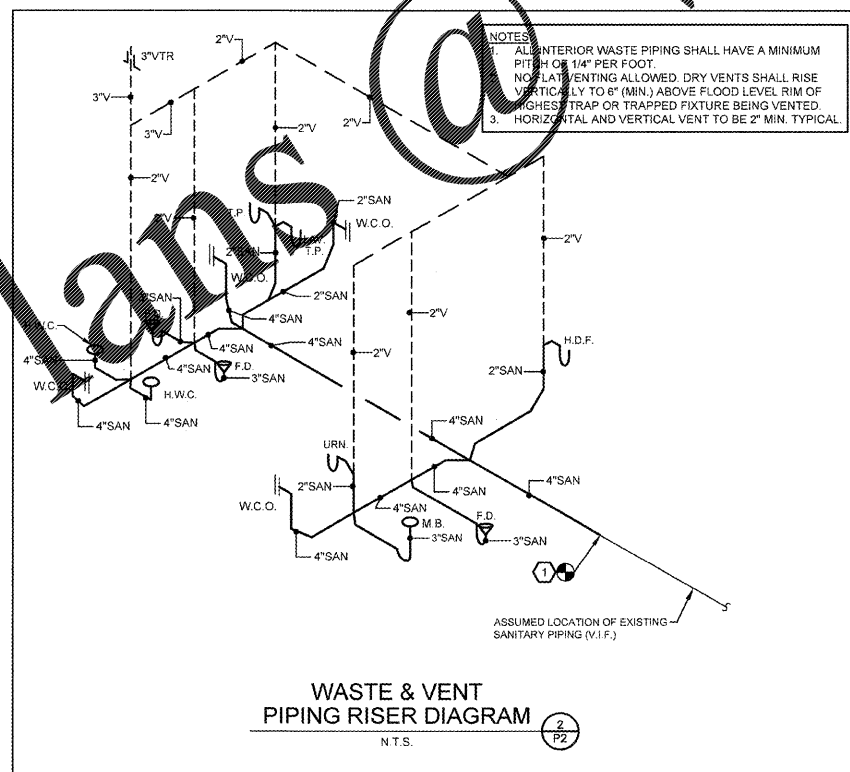
NOTE:
 WATER HEATER, SHELF AND T.E.A. SHALL BE DIRECT ORDERED AND/OR RELEASED FROM THE LISTED ELECTRICAL EQUIPMENT DISTRIBUTOR.



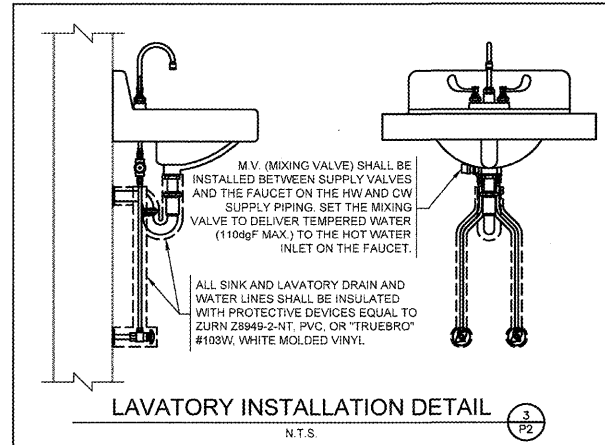
FLOOR DRAIN TRAP PRIMER DETAIL N.T.S.



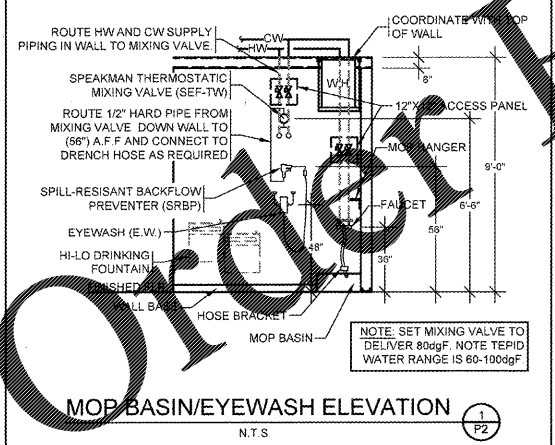
URINAL WALL MOUNT DETAIL N.T.S.



WASTE & VENT PIPING RISER DIAGRAM N.T.S.



LAVATORY INSTALLATION DETAIL N.T.S.



MOP BASIN/EYEWASH ELEVATION N.T.S.

CASCO + R5
 12 Sunnen Drive, Suite 100,
 St. Louis, MO 63143
 314.821.1100

REVISIONS:

NO.	DESCRIPTION

O'Reilly AUTO PARTS
 CORPORATE OFFICES
 233 SOUTH PATTERSON
 SPRINGFIELD, MISSOURI 65802
 417-862-2574 PHONE

PROJECT:
RE-MODEL O'REILLY AUTO PARTS STORE
103 E. GORDON AVE.
GORDONSVILLE, VA 22942
PLUMBING DETAILS

Professional Engineer
 Michael C. Grappenthaus
 License # 055815
 Exp. Date: 11/09/19
 OCT 17 2018

Professional of Record
 DRAWN: CLR
 CHECKED: JST
 DATE: 10-17-2018
 JOB NO.: 118168 (GDV)
 SHEET:

P2

Order Plans @ www.plans.com

COPYRIGHT 2018 - DESIGNS, DRAWINGS AND SPECIFICATIONS ARE INSTRUMENTS OF SERVICE AND ARE THE PROPERTY OF THE DESIGN PROFESSIONAL. REPRODUCTION PROHIBITED WITHOUT THE EXPRESSED WRITTEN CONSENT OF THE DESIGN PROFESSIONAL.