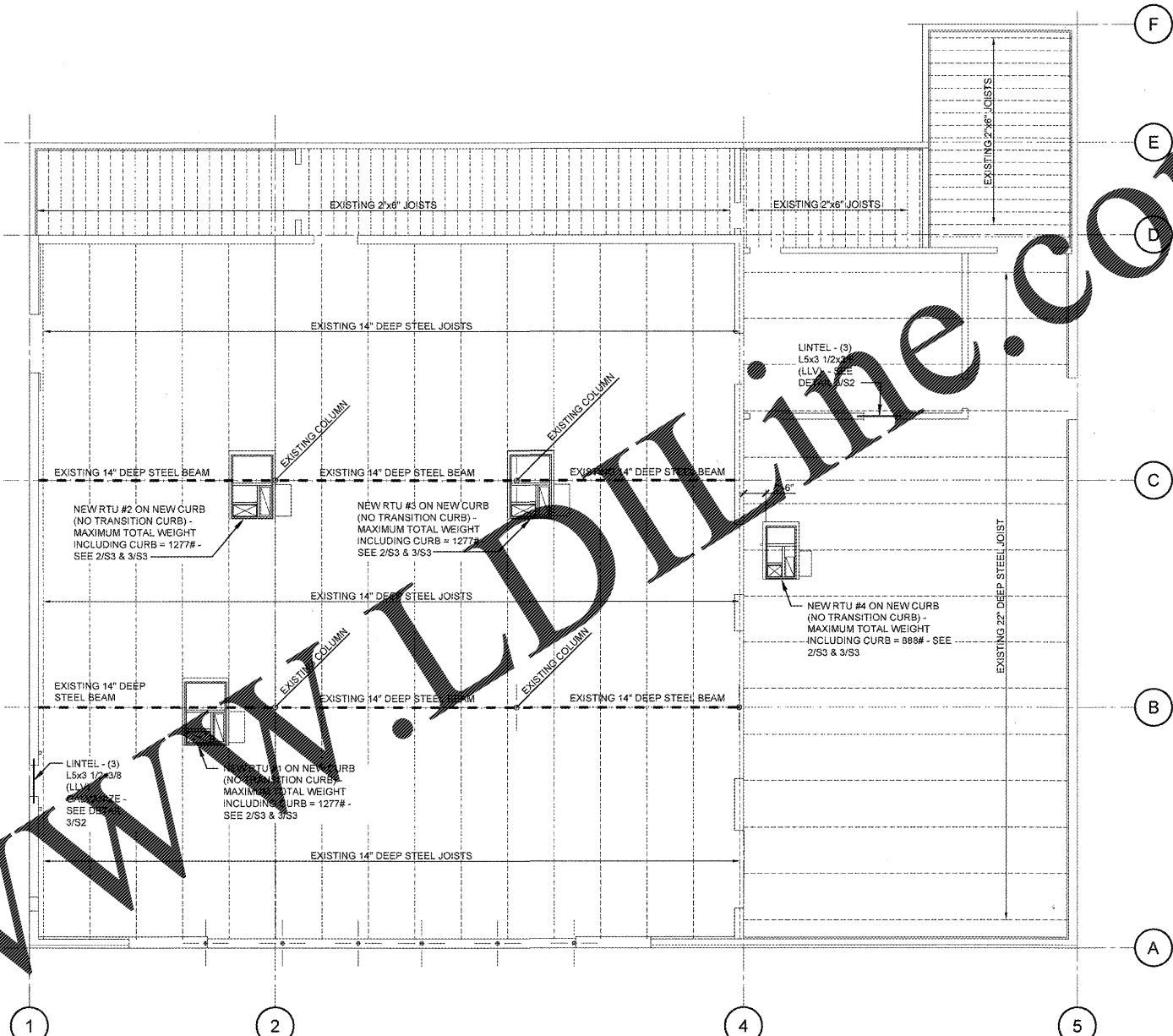


NOTES:

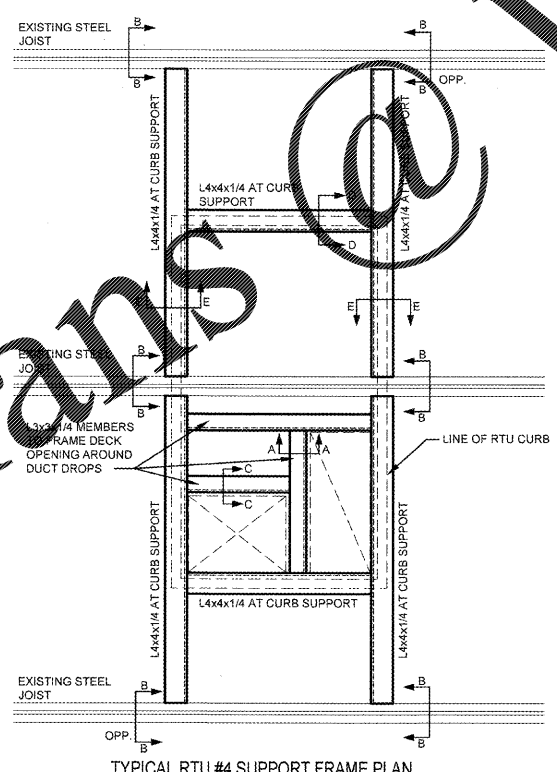
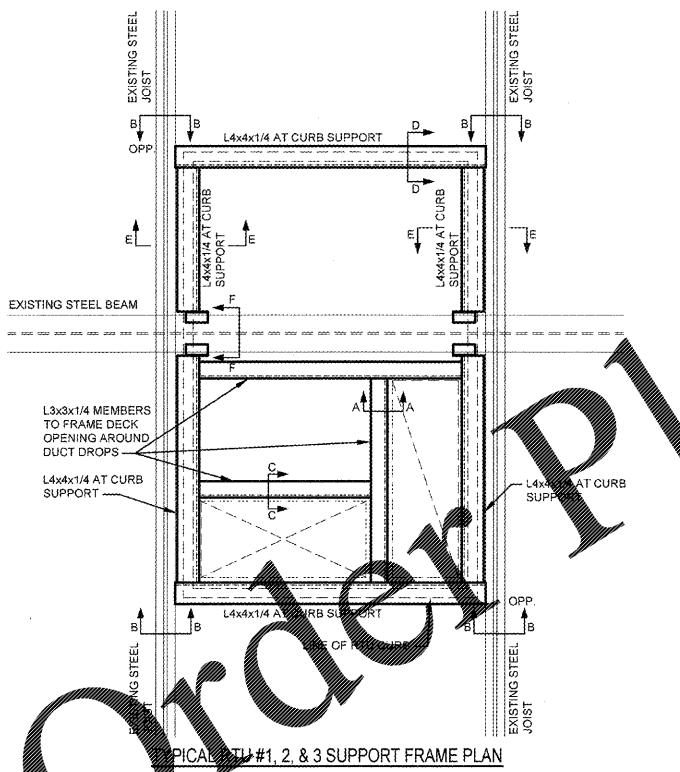
- CUT AND REMOVE EXISTING ROOF DECK AFTER FRAME IS INSTALLED, IMMEDIATELY PRIOR TO INSTALLING EQUIPMENT. CUT OPENINGS FOR DUCT PENETRATIONS ONLY.
- COORDINATE WITH THE MECHANICAL DRAWINGS AND MECHANICAL CONTRACTOR FOR ALL CURB AND DUCT OPENING DIMENSIONS FOR ROOF TOP EQUIPMENT.
- TYPICAL ROOF OPENING DETAIL SHOWN APPLIES TO ALL ROOF OPENINGS WHERE LEAST DIMENSION IS 13" OR LARGER. ROOF OPENINGS LESS THAN 13" SHALL BE REINFORCED WITH GAGE SHEET METAL IN ACCORDANCE WITH THE STEEL DECK INSTITUTE RECOMMENDATIONS.



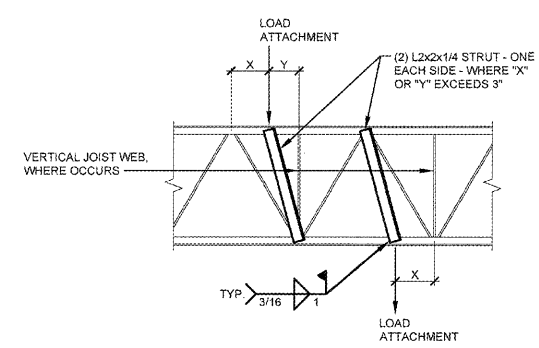
EXISTING ROOF FRAMING PLAN NOTES

- PLACE NEW UNITS WHERE SHOWN ON PLAN.
- THE GENERAL CONTRACTOR SHALL FIELD VERIFY THAT THE DEPTHS OF THE EXISTING JOISTS INDICATED TO SUPPORT NEW ROOF TOP UNITS MATCH THE DEPTHS OF THE RESPECTIVE JOISTS INDICATED ON PLAN AND SHALL REPORT ALL DISCREPANCIES TO THE ENGINEER OF RECORD PRIOR TO INSTALLING THE ROOF TOP UNITS.
- SEE ARCHITECTURAL DEMOLITION DRAWINGS FOR EXISTING STRUCTURAL ELEMENTS TO BE DEMOLISHED. SEE GENERAL STRUCTURAL NOTES FOR DEMOLITION AND SHORING NOTES.
- INFILL EXISTING DUCT DROP OPENINGS AS REQUIRED WITH 1 1/2 x 22GA METAL DECK. NEW DECK TO MATCH EXISTING IN PROFILE. FASTEN NEW DECK TO EXISTING JOISTS WITH #10 TEK SCREWS @ 6" O.C. TYP. AROUND PERIMETER OF OPENING. LAP NEW DECK OVER EXISTING JOISTS 6" MIN.

1 EXISTING ROOF FRAMING PLAN
 S3 SCALE: 1/8" = 1'-0"



2 TYPICAL FRAMING FOR ROOFTOP UNITS
 S3 SCALE: 3/4" = 1'-0"



3 JOIST LOAD STRUT DETAIL
 S3 SCALE: 3/4" = 1'-0"

CASCO + R5
 12 Sunnen Drive, Suite 100,
 St. Louis, MO 63143
 Tel: 314.821.1100

O'Reilly AUTO PARTS
 CORPORATE OFFICES
 233 SOUTH PATTERSON
 SPRINGFIELD, MISSOURI 65802
 417-862-2674 PHONE

PROJECT:
RE-MODEL O'REILLY AUTO PARTS STORE
103 E. GORDON AVE.
GORDONSVILLE, VA 22942
ROOF FRAMING PLAN & DETAILS

OCT. 17, 2018
 COMMONWEALTH OF VIRGINIA
 MARK A. SPALONZER
 License No. 046169
 Professional Engineer
 Mark A. Spaloner
 License #046169
 Exp. Date: 09/30/20
 Professional of Record

DRAWN: AA
 CHECKED: SRB
 DATE: 10-17-2018
 JOB NO.: 118168 (GDV)
 SHEET:

S3

COPYRIGHT 2018 - DESIGNS, DRAWINGS AND SPECIFICATIONS ARE INSTRUMENTS OF SERVICE AND ARE THE PROPERTY OF THE DESIGN PROFESSIONAL. REPRODUCTION PROHIBITED WITHOUT THE EXPRESSED WRITTEN CONSENT OF THE DESIGN PROFESSIONAL.