

REVISIONS:

O'Reilly AUTO PARTS

CORPORATE OFFICES
 233 SOUTH PATTERSON
 SPRINGFIELD, MISSOURI 65802
 417-862-2674 PHONE

PROJECT:
RE-MODEL O'REILLY AUTO PARTS STORE

**103 E. GORDON AVE.
 GORDONSVILLE, VA 22942**

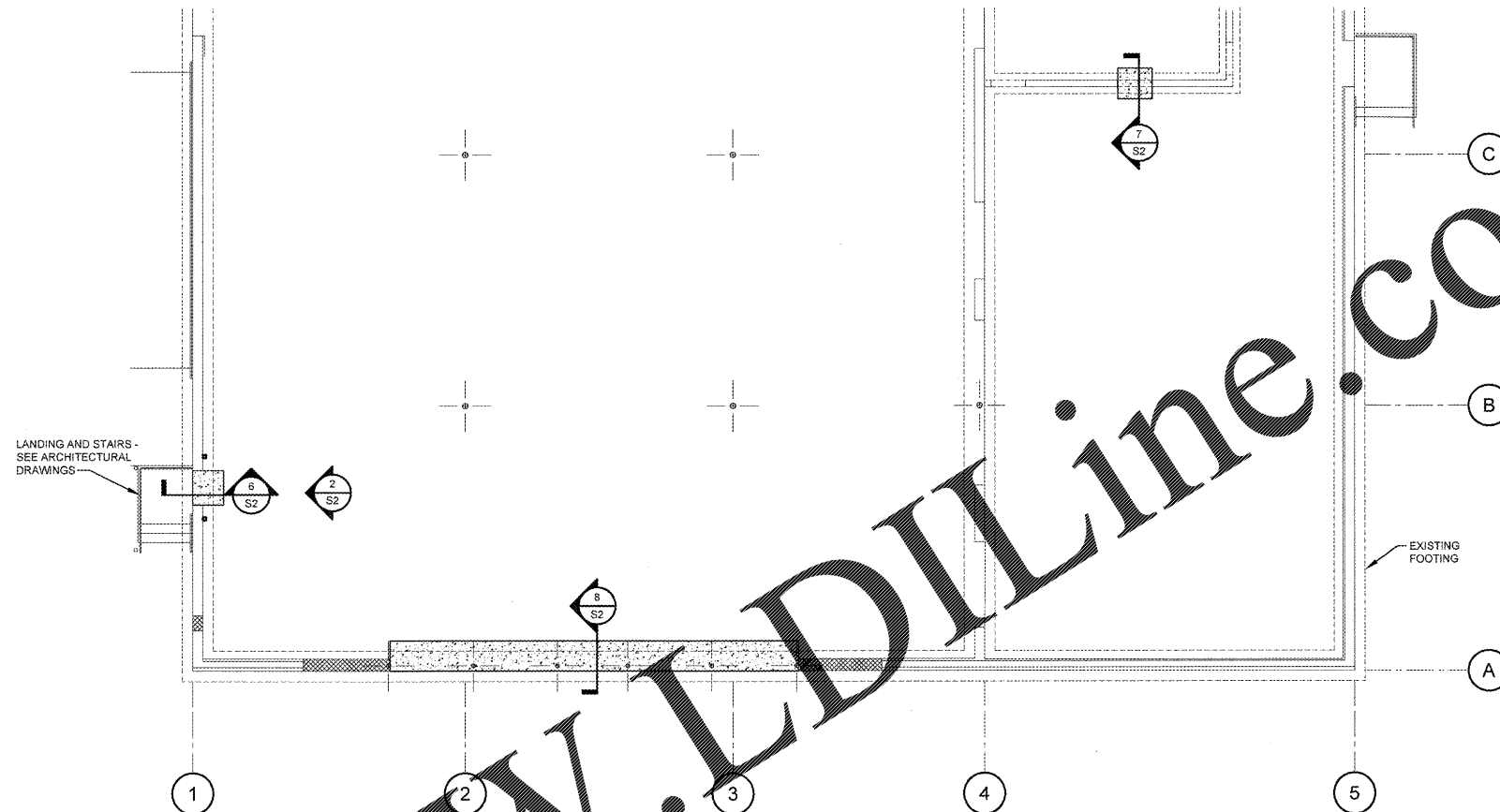
FOUNDATION PLAN & DETAILS

OCT 17 2018
 COMMONWEALTH OF VIRGINIA
 PROFESSIONAL ENGINEER
 MARK A. SPALINGER
 Lic. No. 048139
 Mark A. Spalinger
 License #048139
 Exp. Date: 09/30/20
 Professional of Record

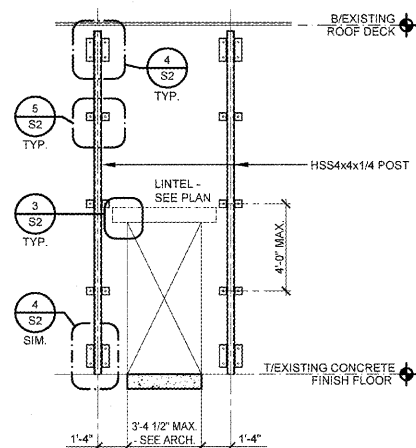
DRAWN: BWT
 CHECKED: SRB
 DATE: 10-10-2018
 JOB NO.: 118166 (GDV)
 SHEET:

S2

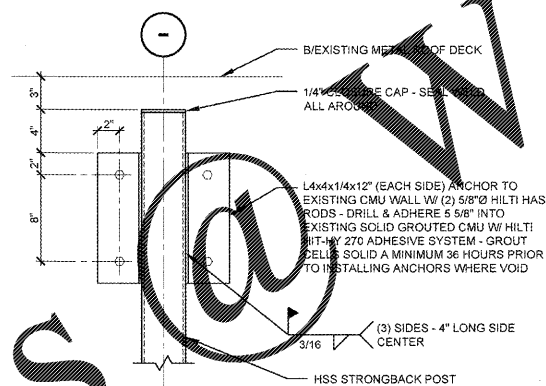
COPYRIGHT 2018 - DESIGNS, DRAWINGS AND SPECIFICATIONS ARE INSTRUMENTS OF SERVICE AND ARE THE PROPERTY OF THE DESIGN PROFESSIONAL. REPRODUCTION PROHIBITED WITHOUT THE EXPRESSED WRITTEN CONSENT OF THE DESIGN PROFESSIONAL.



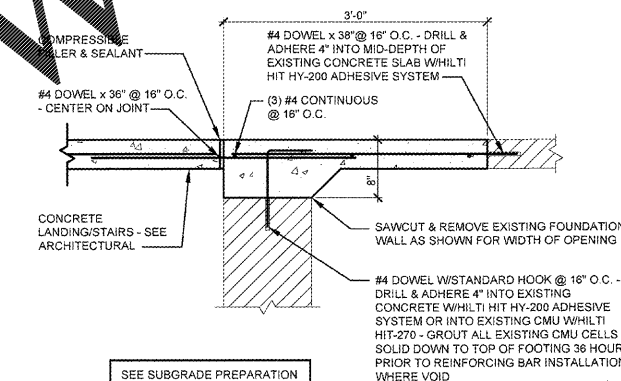
1 PARTIAL EXISTING FOUNDATION PLAN
 S2 SCALE: 1/8" = 1'-0"



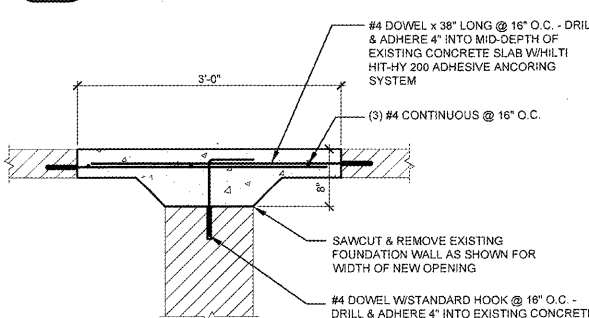
2 ELEVATION
 S2 SCALE: 1/4" = 1'-0"



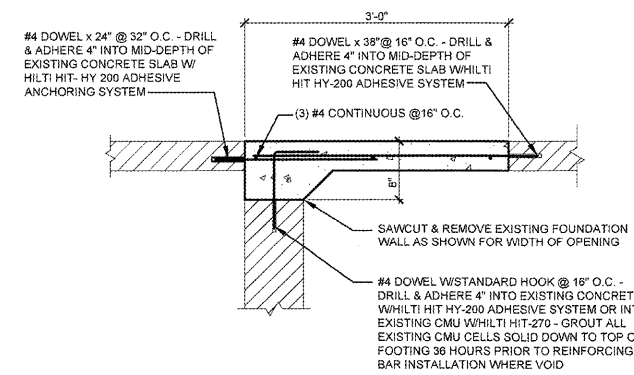
4 DETAIL
 S2 SCALE: 1 1/2" = 1'-0"



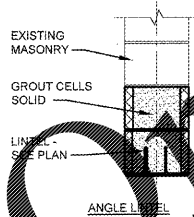
6 SECTION
 S2 SCALE: 1" = 1'-0"



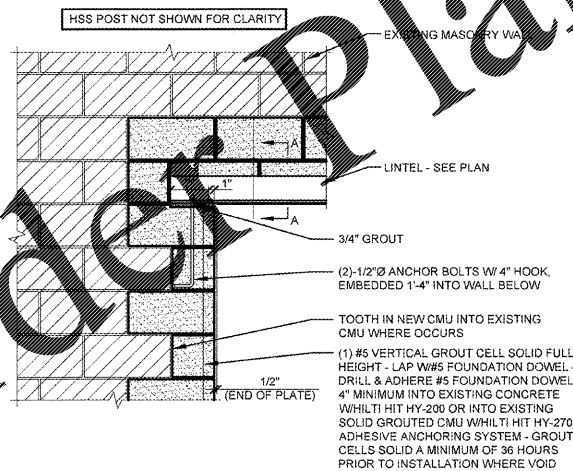
7 DETAIL
 S2 SCALE: 1" = 1'-0"



8 SECTION
 S2 SCALE: 1" = 1'-0"



3 DETAIL
 S2 SCALE: 3/4" = 1'-0"



5 DETAIL
 S2 SCALE: 1/2" = 1'-0"